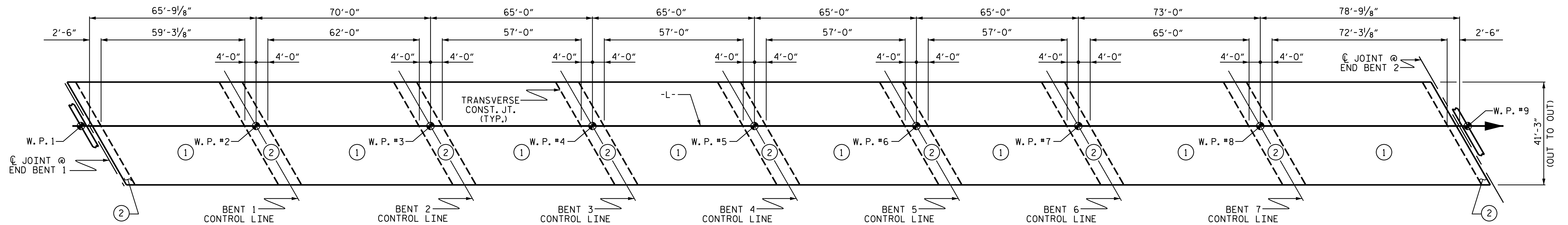
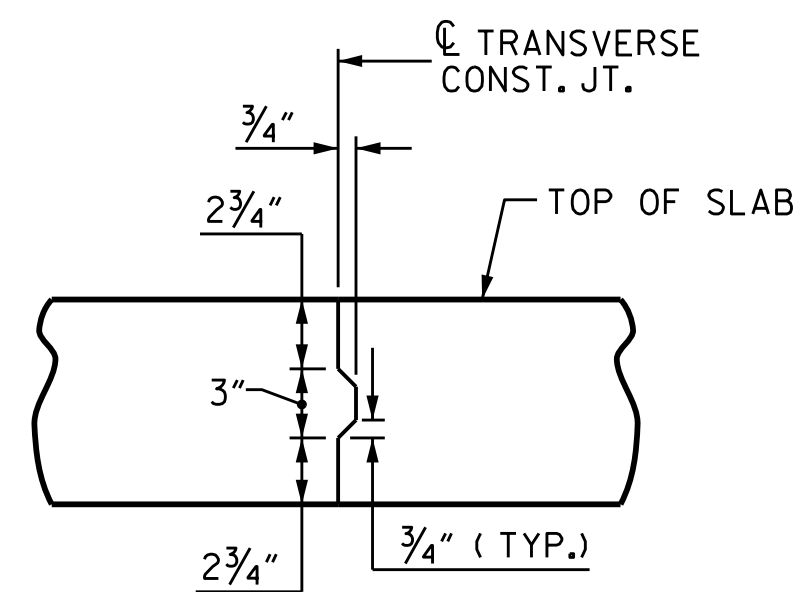


**POURING SEQUENCE**



**OPTIONAL POURING SEQUENCE**

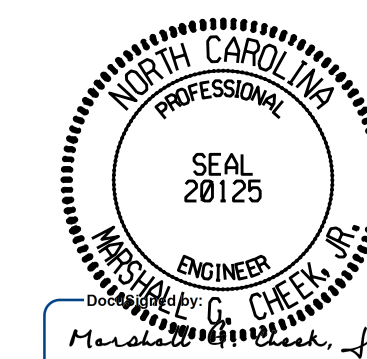


**TRANSVERSE CONSTRUCTION JOINT DETAIL**

NOTE: REINFORCING STEEL IN SLAB NOT SHOWN. LONGITUDINAL REINFORCING STEEL SHALL BE CONTINUOUS THRU JOINT

PROJECT NO. B-4786  
 PITT COUNTY  
 STATION: 28+03.00 -L-

SHEET 1 OF 2



STATE OF NORTH CAROLINA  
 DEPARTMENT OF TRANSPORTATION  
 RALEIGH

**CONCRETE DECK POUR DETAILS**

DRAWN BY: SBW DATE: 10-18  
 CHECKED BY: MGC DATE: 11-18  
 DESIGN ENGINEER OF RECORD: TBE DATE: 8-19

DOCUMENT NOT CONSIDERED FINAL UNLESS ALL SIGNATURES COMPLETED

TGS ENGINEERS  
 706 HILLSBOROUGH STREET  
 SUITE 200  
 RALEIGH, NC 27603  
 PH (919) 773-8887  
 CORP. LICENSE NO.: C-0275

REVISIONS						SHEET NO.
NO.	BY:	DATE:	NO.	BY:	DATE:	S-32
1			3			TOTAL SHEETS
2			4			57