



STATE OF NORTH CAROLINA
DEPARTMENT OF TRANSPORTATION

ROY COOPER
GOVERNOR

J. ERIC BOYETTE
SECRETARY

August 04, 2022

Addendum No. 1

RE: Contract # C204369

WBS # 38887.3.2

STATE FUNDED

Lee County (R-3830)

NC-42/SR-1579 (BROADWAY RD) FROM US-421 IN SANFORD TO SR-1538 (E HARRINGTON AVE) IN BROADWAY

August 16, 2022 Letting

To Whom It May Concern:

Reference is made to the plans and proposal form furnished to you on this project.

The following revisions have been made to the Roadway plans.

Sheet No.	Revision
2A-10	Detail for Railroad Crossings added

Please void the above listed Sheet in your plans and staple the revised Sheet thereto.

The following revisions have been made to the proposal.

Page No.	Revision
Proposal Cover	Note added that reads "Includes Addendum No. 1 Dated 08-04-2022".
Table of Contents	Added Unit Project Special Provision GRANITE CURB
G-2	The Project Special Provision entitled INTERMEDIATE CONTRACT TIME NUMBER 1 AND LIQUIDATED DAMAGES was revised with updated liquidated damages
New Pages GC-1 thru GC-4	Added Unit Project Special Provision entitled GRANITE CURB, BRICK STRIP SIDEWALK CONSTRUCTION

Please void the above listed existing Pages in your proposal and staple the revised Pages thereto.

Mailing Address:
NC DEPARTMENT OF TRANSPORTATION
CONTRACT STANDARDS AND DEVELOPMENT
1591 MAIL SERVICE CENTER
RALEIGH, NC 27699-1591

Telephone: (919) 707-6900
Fax: (919) 250-4127
Customer Service: 1-877-368-4968

Location:
1020 BIRCH RIDGE DR.
RALEIGH, NC 27610

Website: www.ncdot.gov

On the item sheets the following pay item revisions have been made:


<u>Item</u>	<u>Description</u>	<u>Old Quantity</u>	<u>New Quantity</u>
0298-2766000000-N- SP	Granite Curb, Brick Strip, Sidewalk Area -L- Sta 13+25 To 16+78 Rt	NEW ITEM	LUMP SUM

The Contractor's bid must include this pay item revision.

The electronic bidding file has been updated to reflect this revision. Please download the Addendum File and follow the instructions for applying the addendum. Bid Express will not accept your bid unless the addendum has been applied.

The contract will be prepared accordingly.

Sincerely,

DocuSigned by:

F81B6038A47A442...

Ronald E. Davenport, Jr., PE
State Contract Officer

RED/jjr
Attachments

cc: Mr. Boyd Tharrington, PE
Mr. Patrick Norman, PE
Mr. Jon Weathersbee, PE
Mr. Ken Kennedy, PE
Project File (2)

Mr. Forrest Dungan, PE
Ms. Jaci Kincaid
Mr. Kyle Kempf
Ms. Lori Strickland
Mr. Mike Gwyn
Ms. Penny Higgins

STATE OF NORTH CAROLINA
DEPARTMENT OF TRANSPORTATION
RALEIGH, N.C.

PROPOSAL

INCLUDES ADDENDUM No.1 DATED 08-04-2022

DATE AND TIME OF BID OPENING: **Aug 16, 2022 AT 02:00 PM**

CONTRACT ID C204369

WBS 38887.3.2

FEDERAL-AID NO. STATE FUNDED

COUNTY LEE

T.I.P NO. R-3830

MILES 5.524

ROUTE NO. NC-42

LOCATION NC-42/SR-1579 (BROADWAY RD) FROM US-421 IN SANFORD TO SR-1538
(E HARRINGTON AVE) IN BROADWAY.

TYPE OF WORK GRADING, DRAINAGE, PAVING, AND SIGNALS.

NOTICE:

ALL BIDDERS SHALL COMPLY WITH ALL APPLICABLE LAWS REGULATING THE PRACTICE OF GENERAL CONTRACTING AS CONTAINED IN CHAPTER 87 OF THE GENERAL STATUTES OF NORTH CAROLINA WHICH REQUIRES THE BIDDER TO BE LICENSED BY THE N.C. LICENSING BOARD FOR CONTRACTORS WHEN BIDDING ON ANY NON-FEDERAL AID PROJECT WHERE THE BID IS \$30,000 OR MORE, EXCEPT FOR CERTAIN SPECIALTY WORK AS DETERMINED BY THE LICENSING BOARD. BIDDERS SHALL ALSO COMPLY WITH ALL OTHER APPLICABLE LAWS REGULATING THE PRACTICES OF ELECTRICAL, PLUMBING, HEATING AND AIR CONDITIONING AND REFRIGERATION CONTRACTING AS CONTAINED IN CHAPTER 87 OF THE GENERAL STATUTES OF NORTH CAROLINA. NOTWITHSTANDING THESE LIMITATIONS ON BIDDING, THE BIDDER WHO IS AWARDED ANY FEDERAL - AID FUNDED PROJECT SHALL COMPLY WITH CHAPTER 87 OF THE GENERAL STATUTES OF NORTH CAROLINA FOR LICENSING REQUIREMENTS WITHIN 60 CALENDAR DAYS OF BID OPENING.

BIDS WILL BE RECEIVED AS SHOWN BELOW:

THIS IS A ROADWAY PROPOSAL

5% BID BOND OR BID DEPOSIT REQUIRED

The liquidated damages for this contract are **Two Hundred Dollars (\$ 200.00)** per calendar day. These liquidated damages will not be cumulative with any liquidated damages which may become chargeable under Intermediate Contract Time Number 1.

INTERMEDIATE CONTRACT TIME NUMBER 1 AND LIQUIDATED DAMAGES:

(7-1-95) (Rev. 2-21-12)

108

SP1 G13 A

Except for that work required under the Project Special Provisions entitled *Planting, Reforestation* and/or *Permanent Vegetation Establishment*, included elsewhere in this proposal, the Contractor will be required to complete all work included in this contract and shall place and maintain traffic on same.

The date of availability for this intermediate contract time is **January 1, 2023**.

The completion date for this intermediate contract time is **October 1, 2026**.

The liquidated damages for this intermediate contract time are **Five Thousand Dollars (\$ 5,000.00)** per calendar day.

Upon apparent completion of all the work required to be completed by this intermediate date, a final inspection will be held in accordance with Article 105-17 and upon acceptance, the Department will assume responsibility for the maintenance of all work except *Planting, Reforestation* and/or *Permanent Vegetation Establishment*. The Contractor will be responsible for and shall make corrections of all damages to the completed roadway caused by his planting operations, whether occurring prior to or after placing traffic through the project.

INTERMEDIATE CONTRACT TIME NUMBER 2 AND LIQUIDATED DAMAGES:

(2-20-07)

108

SP1 G14 A

The Contractor shall complete the required work of installing, maintaining, and removing the traffic control devices for lane closures and restoring traffic to the existing traffic pattern. The Contractor shall not close or narrow a lane of traffic on **NC 42 (-L-) and/or Horner Boulevard (-Y1-)** during the following time restrictions:

DAY AND TIME RESTRICTIONS

Monday thru Friday, 6:00 A.M. to 9:00 A.M. and 4:00 P.M. to 7:00 P.M.

In addition, the Contractor shall not close or narrow a lane of traffic on **NC 42 (-L-) and/or Horner Boulevard (-Y1-)**, detain and/or alter the traffic flow on or during holidays, holiday weekends, special events, or any other time when traffic is unusually heavy, including the following schedules:

HOLIDAY AND HOLIDAY WEEKEND LANE CLOSURE RESTRICTIONS

1. For **unexpected occurrence** that creates unusually high traffic volumes, as directed by the Engineer.

TITLE VI AND NONDISCRIMINATION SSP-9
 ON-THE-JOB TRAINING SSP-17

UNIT PROJECT SPECIAL PROVISIONS

GEOTECHNICALGT-0.1
 GEOENVIRONMENTAL GV-1
 TRAFFIC CONTROL TC-1
 LIGHTING..... LT-1
 UTILITY CONSTRUCTION UC-1
 UTILITY BY OTHERSUBO-1
 EROSION CONTROLEC-1
 TRAFFIC SIGNALS TS-1
 GRANITE CURB.....GC-1

PERMITSP-1

PROPOSAL ITEM SHEET

ITEM SHEET(S) (TAN SHEETS)

Project: R-3830

GC-1

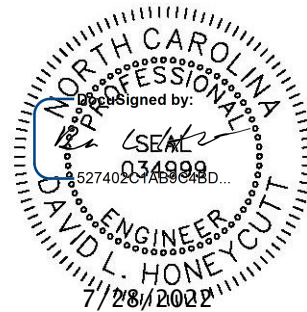
County: Lee

PROJECT SPECIAL PROVISIONS

Granite Curb, Brick Strip Sidewalk Construction – City of Sanford



5 Regional Circle, Suite A
Pinehurst, NC 28374
P. 910-295-3159
Firm License No. C-0459



(Seal)

**DOCUMENT NOT CONSIDERED FINAL
UNLESS ALL SIGNATURES COMPLETED**

1.0 DESCRIPTION

The work covered by this section includes, but may not be limited to, the furnishing and the installation of granite curb, brick strip sidewalk, setting beds, concrete sub-base, anchors and reinforcement

The CONTRACTOR shall be responsible for cleaning the newly installed granite curb, removing sharp edges, protecting the existing granite curb and other surfaces/materials surrounding the installation, and removal of surplus material and waste.

Perform all work in accordance with Division 846 of the 2018 Standard Specifications except as modified or added to by these Special Provisions.

The contact person for the granite curb and brick sidewalk installation is Paul Weeks, PE, City Engineer and he can be reached by phone at 919-777-1122.

2.0 GRANITE CURB AND BRICK SIDEWALK

- A. Curb shall be light gray, free form seams which impair structural integrity, and with percentages of water less than 32% as determined by ASTM C615. Granite shall be a structural grade B conforming to ASTM C131. Brick pavers for sidewalk shall be English Edge Full Range pavers.
- B. A mock-up at an area on the site approved by the City Engineer, provide a mock-up granite curb panel.
 - a. Provide one mock-up curb panel with a minimum length of 10 feet.
 - b. Mock-up panel may be part of the work and may be incorporated into the finished work when so approved in advance by the City Engineer.

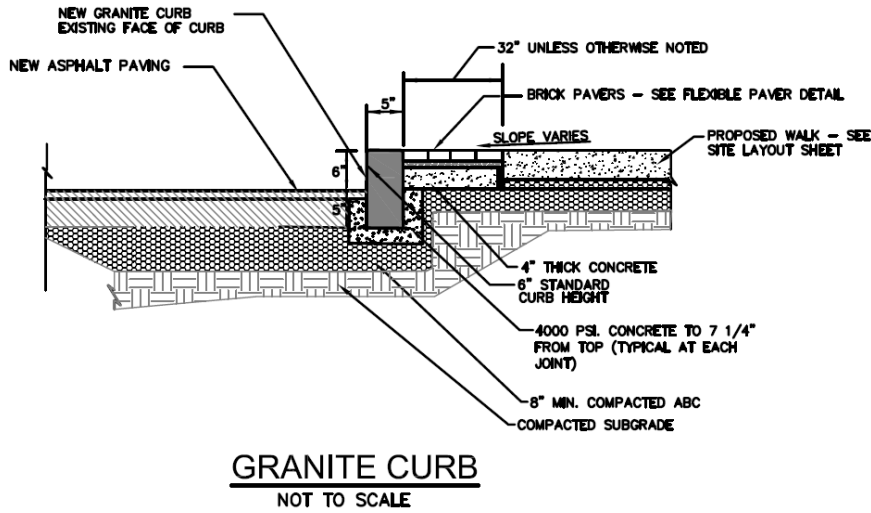
Project: R-3830

GC-2

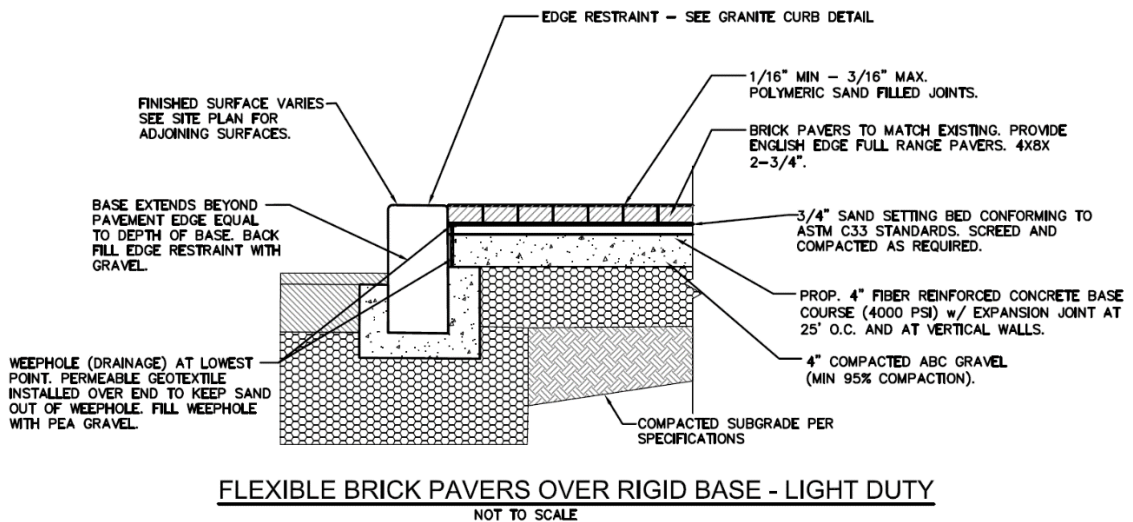
County: Lee

- c. Revise as necessary to secure the City Engineer's approval.
- C. Proper delivery, storage and handling is required. Granite curb and brick pavers shall be delivered to the job adequately protected from damage that may occur during transit. Cracked, badly chipped, or stained units will be rejected and shall not be employed in the work.
- D. Curb tolerances to maintain a tight and flush granite curb joint throughout the installation, as well as maintain flush transition surface into the surrounding existing granite curb or other pavement surfaces.
- E. Granite curb shall have the following dimensions: Minimum length = 8 feet; Width at top = 5 inches; Depth = 11 inches. Radial pieces are subject to City Engineer's approval. Brick paver dimension shall be 4"x8"x2-3/4".
- F. Additional notes for granite curb installation:
- a. Top surface shall splitface to a true plane and have no projections or depressions. All exposed surfaces shall be split cut to an approximately true plane. No saw cut surface shall be exposed.
 - b. Front and back arris lines shall be pitched straight and true, and there shall be projection on the back surface for 3 inches down from the top which would exceed a batter of 4 inches in 1 foot.
 - c. Front face shall be at right angles to the planes of the top and ends, and shall be smooth quarry split, free from dirt holes and with no projection of more than 1 inch and no depression of more than 2-inch measure from the vertical plane of the face through the arris pitch line for a distance down from the top of 8 inches. For the remaining distances there shall be no projections or depression greater than 1 inch measure in the same manner.
 - d. The ends of the stone shall be squatted with the planes of the top and faces so that when the stones are placed end to end as closely as possible, no space shall show in the joint at the top and face, after which the end may break back no over 8 inches from the plane of the joint. The arris formed by the intersection of the plane of the joint with the planes of the top and exposed faces shall have no variation from the plane of the top and exposed faces greater than 1/8 inch.
- G. Granite curb Sub-Base shall be prepared true to grade with allowance for sub-base aggregate, concrete foundation, and granite curb. The sub-base shall thoroughly be compacted by power tampers to 95% density per AASHTO T99. Brick sidewalk Sub-Base shall consist of sub-base aggregate, concrete foundation, and brick pavers.

H. Granite curb shall conform to detail as follows:



I. Brick sidewalk shall conform to detail as follows:



NOTES:
 1. PAVERS TO BE INSTALLED PER MANUFACTURERS'S SPECS.
 2. ANY PAVER SURFACE(S) THAT BECOME STAINED WITH ASPHALT ADHESIVE DURING INSTALLATION SHALL BE DISCARDED AND REPLACED WITH NEW PAVER(S).

J. The following layout and Execution procedures are required:

- a. Blend proposed granite slab with existing granite curb, concrete curb and adjoining surfaces.
- b. Curb shall be set in an 18-inch wide trench, with trench bottom at 6-inches below bottom of curb. Excavation shall be filled to required level with base course material.
- c. Vertical face of vertical curb shall be plumb, with curb top parallel to adjacent surface and the ends of all stones shall be square with the top and face. Curb shall

Project: R-3830

GC-4

County: Lee

be accurately lined to grade. Curb units shall be fitted to no more than 1/2 inch space between each curb.

- d. Curb shall be set so that no drill marks are visible.
- e. Joints between curb units shall not be pointed with mortar.
- f. Backfill material on each side of curb shall be as specified and shall be thoroughly compacted by means of a power tampers. Disturbed curb sections shall be reset to line and grade, and properly backfilled.

K. The Contractor shall warranty the quality and integrity of the granite curb and brick sidewalk installation against any imperfections resulting from poor quality materials, improper installation techniques and poor sub-base / base preparation for a period of one (1) year, with the beginning of the guarantee period starting upon the date of final acceptance.

3.0 MEASUREMENT AND PAYMENT

Work included in this line item of payment shall consist of all subgrade preparation, material and installation of granite curb and brick strip sidewalk area from -L- Sta 13+25 to 16+78 Rt.

The quantity of granite curb and brick sidewalk installed will be paid for at the contract lump sum price in accordance with the Contract Documents. The lump sum price will be full compensation for all labor, equipment, and materials necessary for work associated with subgrade preparation work and curb and sidewalk installation.

Pay Item:

Pay Unit

Granite Curb, Brick Strip, Sidewalk Area -L- Sta 13+25 To 16+78 Rt

Lump Sum (LS)

County: LEE

Line #	Item Number	Sec #	Description	Quantity	Unit Cost	Amount
ROADWAY ITEMS						
0001	0000100000-N	800	MOBILIZATION	Lump Sum	L.S.	
0002	0000400000-N	801	CONSTRUCTION SURVEYING	Lump Sum	L.S.	
0003	0001000000-E	200	CLEARING & GRUBBING .. ACRE(S)	Lump Sum	L.S.	
0004	0008000000-E	200	SUPPLEMENTARY CLEARING & GRUBBING	1 ACR		
0005	0022000000-E	225	UNCLASSIFIED EXCAVATION	25,700 CY		
0006	0036000000-E	225	UNDERCUT EXCAVATION	2,000 CY		
0007	0106000000-E	230	BORROW EXCAVATION	138,700 CY		
0008	0134000000-E	240	DRAINAGE DITCH EXCAVATION	680 CY		
0009	0156000000-E	250	REMOVAL OF EXISTING ASPHALT PAVEMENT	35,240 SY		
0010	0177000000-E	250	BREAKING OF EXISTING ASPHALT PAVEMENT	7,800 SY		
0011	0195000000-E	265	SELECT GRANULAR MATERIAL	1,800 CY		
0012	0196000000-E	270	GEOTEXTILE FOR SOIL STABILIZATION	15,150 SY		
0013	0199000000-E	SP	TEMPORARY SHORING	14,410 SF		
0014	0255000000-E	SP	GENERIC GRADING ITEM HAULING AND DISPOSAL OF PETROLEUM CONTAMINATED SOIL	100 TON		
0015	0318000000-E	300	FOUNDATION CONDITIONING MATERIAL, MINOR STRUCTURES	5,260 TON		
0016	0320000000-E	300	FOUNDATION CONDITIONING GEOTEXTILE	12,280 SY		
0017	0335200000-E	305	15" DRAINAGE PIPE	2,320 LF		

County: LEE

Line #	Item Number	Sec #	Description	Quantity	Unit Cost	Amount
0018	0335300000-E	305	18" DRAINAGE PIPE	924 LF		
0019	0335400000-E	305	24" DRAINAGE PIPE	168 LF		
0020	0335850000-E	305	*** DRAINAGE PIPE ELBOWS (18")	1 EA		
0021	0354000000-E	310	**** RC PIPE CULVERTS, CLASS ***** (15",V)	412 LF		
0022	0354000000-E	310	**** RC PIPE CULVERTS, CLASS ***** (18",V)	112 LF		
0023	0354000000-E	310	**** RC PIPE CULVERTS, CLASS ***** (24",V)	180 LF		
0024	0354000000-E	310	**** RC PIPE CULVERTS, CLASS ***** (30",V)	80 LF		
0025	0426000000-E	310	72" RC PIPE CULVERTS, CLASS III	80 LF		
0026	0448000000-E	310	***** RC PIPE CULVERTS, CLASS IV (48")	112 LF		
0027	0448000000-E	310	***** RC PIPE CULVERTS, CLASS IV (54")	132 LF		
0028	0448200000-E	310	15" RC PIPE CULVERTS, CLASS IV	23,208 LF		
0029	0448300000-E	310	18" RC PIPE CULVERTS, CLASS IV	2,996 LF		
0030	0448400000-E	310	24" RC PIPE CULVERTS, CLASS IV	3,668 LF		
0031	0448500000-E	310	30" RC PIPE CULVERTS, CLASS IV	1,924 LF		
0032	0448600000-E	310	36" RC PIPE CULVERTS, CLASS IV	360 LF		
0033	0448700000-E	310	42" RC PIPE CULVERTS, CLASS IV	168 LF		
0034	0995000000-E	340	PIPE REMOVAL	7,120 LF		

County: LEE

Line #	Item Number	Sec #	Description	Quantity	Unit Cost	Amount
0035	0996000000-N	350	PIPE CLEAN OUT	1 EA		
0036	1011000000-N	500	FINE GRADING	Lump Sum	L.S.	
0037	1099500000-E	505	SHALLOW UNDERCUT	6,070 CY		
0038	1099700000-E	505	CLASS IV SUBGRADE STABILIZATION	12,070 TON		
0039	1111000000-E	SP	CLASS IV AGGREGATE STABILIZATION	500 TON		
0040	1121000000-E	520	AGGREGATE BASE COURSE	3,962 TON		
0041	1220000000-E	545	INCIDENTAL STONE BASE	200 TON		
0042	1275000000-E	600	PRIME COAT	2,195 GAL		
0043	1297000000-E	607	MILLING ASPHALT PAVEMENT, **** DEPTH (1-1/2")	12,300 SY		
0044	1297000000-E	607	MILLING ASPHALT PAVEMENT, **** DEPTH (2-1/2")	69,100 SY		
0045	1297000000-E	607	MILLING ASPHALT PAVEMENT, **** DEPTH (3")	22,700 SY		
0046	1308000000-E	607	MILLING ASPHALT PAVEMENT, **** TO ***** (0" TO 3")	100 SY		
0047	1330000000-E	607	INCIDENTAL MILLING	100 SY		
0048	1491000000-E	610	ASPHALT CONC BASE COURSE, TYPE B25.0C	39,910 TON		
0049	1503000000-E	610	ASPHALT CONC INTERMEDIATE COURSE, TYPE I19.0C	41,415 TON		
0050	1519000000-E	610	ASPHALT CONC SURFACE COURSE, TYPE S9.5B	5,225 TON		

County: LEE

Line #	Item Number	Sec #	Description	Quantity	Unit Cost	Amount
0051	1523000000-E	610	ASPHALT CONC SURFACE COURSE, TYPE S9.5C	30,760 TON		
0052	1575000000-E	620	ASPHALT BINDER FOR PLANT MIX	5,980 TON		
0053	2022000000-E	815	SUBDRAIN EXCAVATION	694.4 CY		
0054	2026000000-E	815	GEOTEXTILE FOR SUBSURFACE DRAINS	3,100 SY		
0055	2036000000-E	815	SUBDRAIN COARSE AGGREGATE	520.8 CY		
0056	2044000000-E	815	6" PERFORATED SUBDRAIN PIPE	3,100 LF		
0057	2070000000-N	815	SUBDRAIN PIPE OUTLET	7 EA		
0058	2077000000-E	815	6" OUTLET PIPE	42 LF		
0059	2190000000-N	828	TEMPORARY STEEL PLATE COVERS FOR MASONRY DRAINAGE STRUCTURE	11 EA		
0060	2209000000-E	838	ENDWALLS	6 CY		
0061	2220000000-E	838	REINFORCED ENDWALLS	21 CY		
0062	2253000000-E	840	PIPE COLLARS	1.197 CY		
0063	2264000000-E	840	PIPE PLUGS	0.377 CY		
0064	2275000000-E	SP	FLOWABLE FILL	54 CY		
0065	2286000000-N	840	MASONRY DRAINAGE STRUCTURES	421 EA		
0066	2297000000-E	840	MASONRY DRAINAGE STRUCTURES	7 CY		
0067	2308000000-E	840	MASONRY DRAINAGE STRUCTURES	131.8 LF		

County: LEE

Line #	Item Number	Sec #	Description	Quantity	Unit Cost	Amount
0068	2355000000-N	840	FRAME WITH GRATE, STD 840.29	1 EA		
0069	2364000000-N	840	FRAME WITH TWO GRATES, STD 840.16	94 EA		
0070	2366000000-N	840	FRAME WITH TWO GRATES, STD 840.24	29 EA		
0071	2367000000-N	840	FRAME WITH TWO GRATES, STD 840.29	51 EA		
0072	2374000000-N	840	FRAME WITH GRATE & HOOD, STD 840.03, TYPE ** (E)	27 EA		
0073	2374000000-N	840	FRAME WITH GRATE & HOOD, STD 840.03, TYPE ** (F)	111 EA		
0074	2374000000-N	840	FRAME WITH GRATE & HOOD, STD 840.03, TYPE ** (G)	103 EA		
0075	2396000000-N	840	FRAME WITH COVER, STD 840.54	6 EA		
0076	2407000000-N	840	STEEL FRAME WITH TWO GRATES, STD 840.37	1 EA		
0077	2451000000-N	852	CONCRETE TRANSITIONAL SECTION FOR DROP INLET	23 EA		
0078	2535000000-E	846	*** X *** CONCRETE CURB (8" X 18")	2,900 LF		
0079	2538000000-E	846	***_*** CONCRETE CURB & GUTTER (2'-9")	4,150 LF		
0080	2542000000-E	846	1'-6" CONCRETE CURB & GUTTER	18,840 LF		
0081	2549000000-E	846	2'-6" CONCRETE CURB & GUTTER	39,390 LF		
0082	2591000000-E	848	4" CONCRETE SIDEWALK	9,780 SY		
0083	2605000000-N	848	CONCRETE CURB RAMPS	94 EA		
0084	2612000000-E	848	6" CONCRETE DRIVEWAY	2,410 SY		

County: LEE

Line #	Item Number	Sec #	Description	Quantity	Unit Cost	Amount
0085	2619000000-E	850	4" CONCRETE PAVED DITCH	120 SY		
0086	2647000000-E	852	5" MONOLITHIC CONCRETE ISLANDS (SURFACE MOUNTED)	20 SY		
0087	2655000000-E	852	5" MONOLITHIC CONCRETE ISLANDS (KEYED IN)	1,710 SY		
0088	2724000000-E	857	PRECAST REINFORCED CONCRETE BARRIER, SINGLE FACED	745 LF		
0089	3030000000-E	862	STEEL BEAM GUARDRAIL	1,200 LF		
0090	3150000000-N	862	ADDITIONAL GUARDRAIL POSTS	10 EA		
0091	3210000000-N	862	GUARDRAIL END UNITS, TYPE CAT-1	5 EA		
0092	3287000000-N	SP	GUARDRAIL END UNITS, TYPE TL-3	5 EA		
0093	3380000000-E	862	TEMPORARY STEEL BEAM GUARDRAIL	650 LF		
0094	3389150000-N	SP	TEMPORARY GUARDRAIL END UNITS, TYPE ***** (TL-3)	10 EA		
0095	3435000000-N	SP	GENERIC GUARDRAIL ITEM TEMPORARY ADDITIONAL GUARDRAIL POSTS	10 EA		
0096	3575000000-E	SP	GENERIC FENCING ITEM PEDESTRIAN SAFETY RAIL	707 LF		
0097	3628000000-E	876	RIP RAP, CLASS I	790 TON		
0098	3649000000-E	876	RIP RAP, CLASS B	680 TON		
0099	3656000000-E	876	GEOTEXTILE FOR DRAINAGE	6,755 SY		
0100	4048000000-E	902	REINFORCED CONCRETE SIGN FOUNDATIONS	1 CY		
0101	4060000000-E	903	SUPPORTS, BREAKAWAY STEEL BEAM	607 LB		

County: LEE

Line #	Item Number	Sec #	Description	Quantity	Unit Cost	Amount
0102	4072000000-E	903	SUPPORTS, 3-LB STEEL U-CHANNEL	3,400 LF		
0103	4096000000-N	904	SIGN ERECTION, TYPE D	8 EA		
0104	4102000000-N	904	SIGN ERECTION, TYPE E	125 EA		
0105	4108000000-N	904	SIGN ERECTION, TYPE F	37 EA		
0106	4110000000-N	904	SIGN ERECTION, TYPE *** (GROUND MOUNTED) (A)	2 EA		
0107	4116100000-N	904	SIGN ERECTION, RELOCATE TYPE **** (GROUND MOUNTED) (D)	1 EA		
0108	4116100000-N	904	SIGN ERECTION, RELOCATE TYPE **** (GROUND MOUNTED) (E)	6 EA		
0109	4155000000-N	907	DISPOSAL OF SIGN SYSTEM, U-CHANNEL	100 EA		
0110	4192000000-N	907	DISPOSAL OF SUPPORT, U-CHANNEL	5 EA		
0111	4400000000-E	1110	WORK ZONE SIGNS (STATIONARY)	701 SF		
0112	4405000000-E	1110	WORK ZONE SIGNS (PORTABLE)	1,531 SF		
0113	4410000000-E	1110	WORK ZONE SIGNS (BARRICADE MOUNTED)	316 SF		
0114	4415000000-N	1115	FLASHING ARROW BOARD	2 EA		
0115	4420000000-N	1120	PORTABLE CHANGEABLE MESSAGE SIGN	5 EA		
0116	4430000000-N	1130	DRUMS	660 EA		
0117	4435000000-N	1135	CONES	30 EA		
0118	4445000000-E	1145	BARRICADES (TYPE III)	208 LF		

County: LEE

Line #	Item Number	Sec #	Description	Quantity	Unit Cost	Amount
0119	4447000000-E	SP	PEDESTRIAN CHANNELIZING DEVICES	48 LF		
0120	4455000000-N	1150	FLAGGER	536 DAY		
0121	4465000000-N	1160	TEMPORARY CRASH CUSHIONS	6 EA		
0122	4470000000-N	1160	REMOVE & RESET TEMPORARY CRASH CUSHION	6 EA		
0123	4485000000-E	1170	PORTABLE CONCRETE BARRIER	1,040 LF		
0124	4490000000-E	1170	PORTABLE CONCRETE BARRIER (ANCHORED)	1,700 LF		
0125	4500000000-E	1170	REMOVE AND RESET PORTABLE CONCRETE BARRIER	1,880 LF		
0126	4505000000-E	1170	REMOVE & RESET PORTABLE CONCRETE BARRIER (ANCHORED)	1,500 LF		
0127	4507000000-E	1170	WATER FILLED BARRIER	600 LF		
0128	4510000000-N	1190	LAW ENFORCEMENT	48 HR		
0129	4516000000-N	1180	SKINNY DRUM	660 EA		
0130	4650000000-N	1251	TEMPORARY RAISED PAVEMENT MARKERS	1,045 EA		
0131	4685000000-E	1205	THERMOPLASTIC PAVEMENT MARKING LINES (4", 90 MILS)	112,322.5 LF		
0132	4695000000-E	1205	THERMOPLASTIC PAVEMENT MARKING LINES (8", 90 MILS)	4,850 LF		
0133	4700000000-E	1205	THERMOPLASTIC PAVEMENT MARKING LINES (12", 90 MILS)	1,100 LF		
0134	4709000000-E	1205	THERMOPLASTIC PAVEMENT MARKING LINES (24", 90 MILS)	1,210 LF		
0135	4720000000-E	1205	THERMOPLASTIC PAVEMENT MARKING CHARACTER (90 MILS)	22 EA		

County: LEE

Line #	Item Number	Sec #	Description	Quantity	Unit Cost	Amount
0136	4725000000-E	1205	THERMOPLASTIC PAVEMENT MARKING SYMBOL (90 MILS)	181 EA		
0137	4726110000-E	1205	HEATED-IN-PLACE THERMOPLASTIC PAVEMENT MARKING SYMBOL (90 MILS)	110 EA		
0138	4810000000-E	1205	PAINT PAVEMENT MARKING LINES (4")	217,779 LF		
0139	4820000000-E	1205	PAINT PAVEMENT MARKING LINES (8")	5,760 LF		
0140	4825000000-E	1205	PAINT PAVEMENT MARKING LINES (12")	1,360 LF		
0141	4835000000-E	1205	PAINT PAVEMENT MARKING LINES (24")	2,147 LF		
0142	4845000000-N	1205	PAINT PAVEMENT MARKING SYMBOL	224 EA		
0143	4850000000-E	1205	REMOVAL OF PAVEMENT MARKING LINES (4")	69,638 LF		
0144	4860000000-E	1205	REMOVAL OF PAVEMENT MARKING LINES (8")	1,770 LF		
0145	4865000000-E	1205	REMOVAL OF PAVEMENT MARKING LINES (12")	805 LF		
0146	4870000000-E	1205	REMOVAL OF PAVEMENT MARKING LINES (24")	235 LF		
0147	4875000000-N	1205	REMOVAL OF PAVEMENT MARKING SYMBOLS & CHARACTERS	79 EA		
0148	4905100000-N	SP	NON-CAST IRON SNOWPLOWABLE PAVEMENT MARKER	790 EA		
0149	5255000000-N	1413	PORTABLE LIGHTING	Lump Sum	L.S.	
0150	5265000000-E	SP	GENERIC LIGHTING ITEM ELECTRICAL DUCT (2" BD)	400 LF		
0151	5270000000-N	SP	GENERIC LIGHTING ITEM ORNAMENTAL PLANTER RECEPTACLE	3 EA		
0152	5325600000-E	1510	6" WATER LINE	1,356 LF		

County: LEE

Line #	Item Number	Sec #	Description	Quantity	Unit Cost	Amount
0153	5325800000-E	1510	8" WATER LINE	4,974 LF		
0154	5326000000-E	1510	10" WATER LINE	1,540 LF		
0155	5326200000-E	1510	12" WATER LINE	9,639 LF		
0156	5326600000-E	1510	16" WATER LINE	13,550 LF		
0157	5329000000-E	1510	DUCTILE IRON WATER PIPE FITTINGS	56,300 LB		
0158	5536000000-E	1515	2" VALVE	2 EA		
0159	5540000000-E	1515	6" VALVE	38 EA		
0160	5546000000-E	1515	8" VALVE	15 EA		
0161	5552000000-E	1515	10" VALVE	2 EA		
0162	5558000000-E	1515	12" VALVE	10 EA		
0163	5558600000-E	1515	16" VALVE	20 EA		
0164	5572000000-E	1515	10" TAPPING SLEEVE & VALVE	1 EA		
0165	5643150000-E	1515	1-1/2" WATER METER	2 EA		
0166	5648000000-N	1515	RELOCATE WATER METER	101 EA		
0167	5649000000-N	1515	RECONNECT WATER METER	33 EA		
0168	5666000000-N	1515	FIRE HYDRANT	39 EA		
0169	5672000000-N	1515	RELOCATE FIRE HYDRANT	3 EA		

County: LEE

Line #	Item Number	Sec #	Description	Quantity	Unit Cost	Amount
0170	5673000000-E	1515	FIRE HYDRANT LEG	699 LF		
0171	5686000000-E	1515	*** WATER SERVICE LINE (12")	50 LF		
0172	5686000000-E	1515	*** WATER SERVICE LINE (2")	479 LF		
0173	5686000000-E	1515	*** WATER SERVICE LINE (4")	99 LF		
0174	5686000000-E	1515	*** WATER SERVICE LINE (6")	55 LF		
0175	5686500000-E	1515	WATER SERVICE LINE	6,581 LF		
0176	5691300000-E	1520	8" SANITARY GRAVITY SEWER	5,503 LF		
0177	5768000000-N	1520	SANITARY SEWER CLEAN-OUT	34 EA		
0178	5768500000-E	1520	SEWER SERVICE LINE	811 LF		
0179	5775000000-E	1525	4' DIA UTILITY MANHOLE	26 EA		
0180	5781000000-E	1525	UTILITY MANHOLE WALL 4' DIA	48 LF		
0181	5800000000-E	1530	ABANDON 6" UTILITY PIPE	3,713 LF		
0182	5801000000-E	1530	ABANDON 8" UTILITY PIPE	9,036 LF		
0183	5802000000-E	1530	ABANDON 10" UTILITY PIPE	13,732 LF		
0184	5804000000-E	1530	ABANDON 12" UTILITY PIPE	103 LF		
0185	5810000000-E	1530	ABANDON 16" UTILITY PIPE	12,370 LF		
0186	5815500000-N	1530	REMOVE FIRE HYDRANT	41 EA		

County: LEE

Line #	Item Number	Sec #	Description	Quantity	Unit Cost	Amount
0187	5816000000-N	1530	ABANDON UTILITY MANHOLE	15 EA		
0188	5835000000-E	1540	*** ENCASEMENT PIPE (8")	52 LF		
0189	5835700000-E	1540	16" ENCASEMENT PIPE	470 LF		
0190	5835900000-E	1540	20" ENCASEMENT PIPE	60 LF		
0191	5836200000-E	1540	30" ENCASEMENT PIPE	547 LF		
0192	5872500000-E	1550	BORE AND JACK OF *** (16")	350 LF		
0193	5872500000-E	1550	BORE AND JACK OF *** (20")	60 LF		
0194	5872500000-E	1550	BORE AND JACK OF *** (30")	157 LF		
0195	5888000000-E	SP	GENERIC UTILITY ITEM CIPP LINING	1,065 LF		
0196	5888000000-E	SP	GENERIC UTILITY ITEM MANHOLE REHABILITATION WITH LINING	81 LF		
0197	6000000000-E	1605	TEMPORARY SILT FENCE	52,050 LF		
0198	6006000000-E	1610	STONE FOR EROSION CONTROL, CLASS A	4,400 TON		
0199	6009000000-E	1610	STONE FOR EROSION CONTROL, CLASS B	14,440 TON		
0200	6012000000-E	1610	SEDIMENT CONTROL STONE	10,500 TON		
0201	6015000000-E	1615	TEMPORARY MULCHING	16.5 ACR		
0202	6018000000-E	1620	SEED FOR TEMPORARY SEEDING	900 LB		
0203	6021000000-E	1620	FERTILIZER FOR TEMPORARY SEEDING	6 TON		

County: LEE

Line #	Item Number	Sec #	Description	Quantity	Unit Cost	Amount
0204	6024000000-E	1622	TEMPORARY SLOPE DRAINS	1,750 LF		
0205	6029000000-E	SP	SAFETY FENCE	4,200 LF		
0206	6030000000-E	1630	SILT EXCAVATION	38,000 CY		
0207	6036000000-E	1631	MATTING FOR EROSION CONTROL	84,360 SY		
0208	6037000000-E	SP	COIR FIBER MAT	325 SY		
0209	6038000000-E	SP	PERMANENT SOIL REINFORCEMENT MAT	1,995 SY		
0210	6042000000-E	1632	1/4" HARDWARE CLOTH	17,500 LF		
0211	6045000000-E	SP	*** TEMPORARY PIPE (18")	90 LF		
0212	6070000000-N	1639	SPECIAL STILLING BASINS	4 EA		
0213	6071012000-E	SP	COIR FIBER WATTLE	200 LF		
0214	6071020000-E	SP	POLYACRYLAMIDE (PAM)	1,250 LB		
0215	6071030000-E	1640	COIR FIBER BAFFLE	5,500 LF		
0216	6071050000-E	SP	*** SKIMMER (1-1/2")	15 EA		
0217	6071050000-E	SP	*** SKIMMER (2")	11 EA		
0218	6071050000-E	SP	*** SKIMMER (2-1/2")	1 EA		
0219	6084000000-E	1660	SEEDING & MULCHING	24 ACR		
0220	6087000000-E	1660	MOWING	21 ACR		

County: LEE

Line #	Item Number	Sec #	Description	Quantity	Unit Cost	Amount
0221	6090000000-E	1661	SEED FOR REPAIR SEEDING	200 LB		
0222	6093000000-E	1661	FERTILIZER FOR REPAIR SEEDING	1 TON		
0223	6096000000-E	1662	SEED FOR SUPPLEMENTAL SEEDING	500 LB		
0224	6108000000-E	1665	FERTILIZER TOPDRESSING	14.75 TON		
0225	6111000000-E	SP	IMPERVIOUS DIKE	30 LF		
0226	6114500000-N	1667	SPECIALIZED HAND MOWING	10 MHR		
0227	6114800000-N	SP	MANUAL LITTER REMOVAL	165 MHR		
0228	6114900000-E	SP	LITTER DISPOSAL	15 TON		
0229	6117000000-N	SP	RESPONSE FOR EROSION CONTROL	100 EA		
0230	6117500000-N	SP	CONCRETE WASHOUT STRUCTURE	26 EA		
0231	6132000000-N	SP	GENERIC EROSION CONTROL ITEM FABRIC INSERT INLET PROTECTION DEVICE	54 EA		
0232	6132000000-N	SP	GENERIC EROSION CONTROL ITEM FABRIC INSERT INLET PROTECTION DEVICE CLEANOUT	162 EA		
0233	7048500000-E	1705	PEDESTRIAN SIGNAL HEAD (16", 1 SECTION W/COUNTDOWN)	24 EA		
0234	7060000000-E	1705	SIGNAL CABLE	25,600 LF		
0235	7120000000-E	1705	VEHICLE SIGNAL HEAD (12", 3 SECTION)	86 EA		
0236	7132000000-E	1705	VEHICLE SIGNAL HEAD (12", 4 SECTION)	19 EA		
0237	7144000000-E	1705	VEHICLE SIGNAL HEAD (12", 5 SECTION)	11 EA		

County: LEE

Line #	Item Number	Sec #	Description	Quantity	Unit Cost	Amount
0238	7252000000-E	1710	MESSENGER CABLE (1/4")	625 LF		
0239	7264000000-E	1710	MESSENGER CABLE (3/8")	2,725 LF		
0240	7279000000-E	1715	TRACER WIRE	8,650 LF		
0241	7288000000-E	1715	PAVED TRENCHING (***** (1, 2")	600 LF		
0242	7288000000-E	1715	PAVED TRENCHING (***** (2, 2")	75 LF		
0243	7288000000-E	1715	PAVED TRENCHING (***** (3, 2")	50 LF		
0244	7288000000-E	1715	PAVED TRENCHING (***** (4, 2")	25 LF		
0245	7300000000-E	1715	UNPAVED TRENCHING (***** (1, 2")	2,975 LF		
0246	7300000000-E	1715	UNPAVED TRENCHING (***** (2, 2")	6,550 LF		
0247	7300000000-E	1715	UNPAVED TRENCHING (***** (3, 2")	55 LF		
0248	7300000000-E	1715	UNPAVED TRENCHING (***** (4, 2")	500 LF		
0249	7301000000-E	1715	DIRECTIONAL DRILL (***** (1, 2")	50 LF		
0250	7301000000-E	1715	DIRECTIONAL DRILL (***** (2, 2")	3,225 LF		
0251	7301000000-E	1715	DIRECTIONAL DRILL (***** (3, 2")	125 LF		
0252	7301000000-E	1715	DIRECTIONAL DRILL (***** (4, 2")	650 LF		
0253	7324000000-N	1716	JUNCTION BOX (STANDARD SIZE)	79 EA		
0254	7348000000-N	1716	JUNCTION BOX (OVER-SIZED, HEAVY DUTY)	30 EA		

County: LEE

Line #	Item Number	Sec #	Description	Quantity	Unit Cost	Amount
0255	7360000000-N	1720	WOOD POLE	22 EA		
0256	7372000000-N	1721	GUY ASSEMBLY	58 EA		
0257	7408000000-E	1722	1" RISER WITH WEATHERHEAD	4 EA		
0258	7420000000-E	1722	2" RISER WITH WEATHERHEAD	14 EA		
0259	7432000000-E	1722	2" RISER WITH HEAT SHRINK TUBING	4 EA		
0260	7444000000-E	1725	INDUCTIVE LOOP SAWCUT	7,100 LF		
0261	7456000000-E	1726	LEAD-IN CABLE (***** (14-2)	23,950 LF		
0262	7481000000-N	SP	SITE SURVEY	6 EA		
0263	7481200000-N	SP	LUMINAIRE ARM FOR VIDEO SYSTEM	23 EA		
0264	7481240000-N	SP	CAMERA WITHOUT INTERNAL LOOP EMULATOR PROCESSING UNIT	23 EA		
0265	7481260000-N	SP	EXTERNAL LOOP EMULATOR PROCESSING UNIT	6 EA		
0266	7516000000-E	1730	COMMUNICATIONS CABLE (** FIBER) (24)	12,180 LF		
0267	7528000000-E	1730	DROP CABLE	660 LF		
0268	7540000000-N	1731	SPLICE ENCLOSURE	5 EA		
0269	7541000000-N	1731	MODIFY SPLICE ENCLOSURE	1 EA		
0270	7566000000-N	1733	DELINEATOR MARKER	30 EA		
0271	7576000000-N	SP	METAL STRAIN SIGNAL POLE	4 EA		

County: LEE

Line #	Item Number	Sec #	Description	Quantity	Unit Cost	Amount
0272	7588000000-N	SP	METAL POLE WITH SINGLE MAST ARM	11 EA		
0273	7590000000-N	SP	METAL POLE WITH DUAL MAST ARM	1 EA		
0274	7613000000-N	SP	SOIL TEST	16 EA		
0275	7614100000-E	SP	DRILLED PIER FOUNDATION	96 CY		
0276	7631000000-N	SP	MAST ARM WITH METAL POLE DESIGN	12 EA		
0277	7636000000-N	1745	SIGN FOR SIGNALS	10 EA		
0278	7642100000-N	1743	TYPE I POST WITH FOUNDATION	11 EA		
0279	7642200000-N	1743	TYPE II PEDESTAL WITH FOUNDATION	18 EA		
0280	7684000000-N	1750	SIGNAL CABINET FOUNDATION	6 EA		
0281	7696000000-N	1751	CONTROLLERS WITH CABINET (***** (TYPE 2070E, BASE MOUNTED)	6 EA		
0282	7744000000-N	1751	DETECTOR CARD (TYPE 170)	46 EA		
0283	7901000000-N	1753	CABINET BASE EXTENDER	6 EA		
0284	7960000000-N	SP	METAL POLE FOUNDATION REMOVAL	5 EA		
0285	7972000000-N	SP	METAL POLE REMOVAL	5 EA		
0286	7980000000-N	SP	GENERIC SIGNAL ITEM ETHERNET EDGE SWITCH	5 EA		
0287	7980000000-N	SP	GENERIC SIGNAL ITEM PROTECTIVE COATING FOR DUAL MAST ARM POLE (BLACK)	1 EA		
0288	7980000000-N	SP	GENERIC SIGNAL ITEM PROTECTIVE COATING FOR PUSH BUTTON POST (BLACK)	8 EA		

County: LEE

Line #	Item Number	Sec #	Description	Quantity	Unit Cost	Amount
0289	7980000000-N	SP	GENERIC SIGNAL ITEM PROTECTIVE COATING FOR SIGNAL PEDESTAL (BLACK)	15 EA		
0290	7980000000-N	SP	GENERIC SIGNAL ITEM PROTECTIVE COATING FOR SINGLE MAST ARM POLE (BLACK)	6 EA		
0291	7980000000-N	SP	GENERIC SIGNAL ITEM PROTECTIVE COATING FOR STRAIN POLE (BLACK)	4 EA		
0292	7990000000-E	SP	GENERIC SIGNAL ITEM BACK PULL FIBER OPTIC CABLE	1,780 LF		
0298	2766000000-N	SP	GENERIC PAVING ITEM GRANITE CURB, BRICK STRIP, SIDEWALK AREA, STA 13+25 TO 16+78 -L- RT	Lump Sum	L.S.	

WALL ITEMS

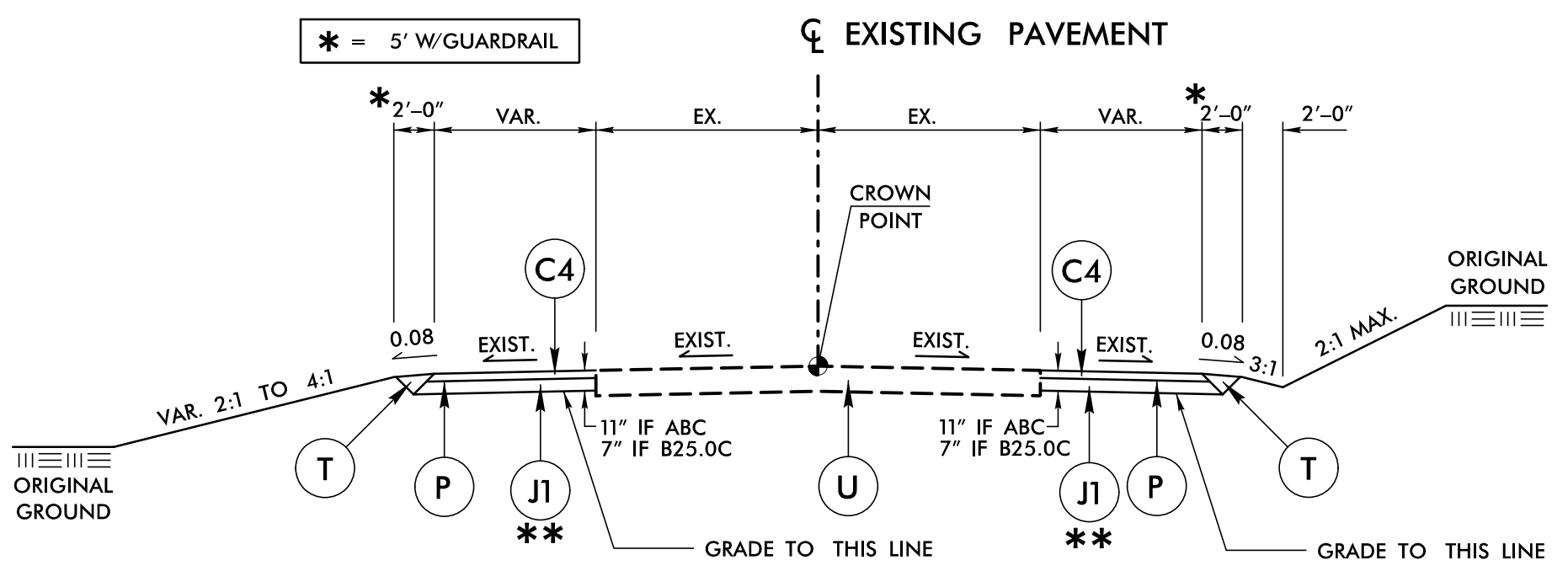
0293	8801000000-E	SP	MSE RETAINING WALL NO **** (1)	1,120 SF		
0294	8801000000-E	SP	MSE RETAINING WALL NO **** (2)	7,750 SF		
0295	8802010000-E	SP	SOIL NAIL RETAINING WALLS	1,455 SF		
0296	8802015100-N	SP	SOIL NAIL VERIFICATION TESTS	2 EA		
0297	8802015110-N	SP	SOIL NAIL PROOF TESTS	1 EA		

1136/Aug04/Q1584737.324/D1362929312210/E298

Total Amount Of Bid For Entire Project :

6/2/2022

6/3/2022
 C:\Users\mloves\OneDrive\Work\Roadway\Proj\R3830_Rdwy_Typ.dgn
 User:mloves

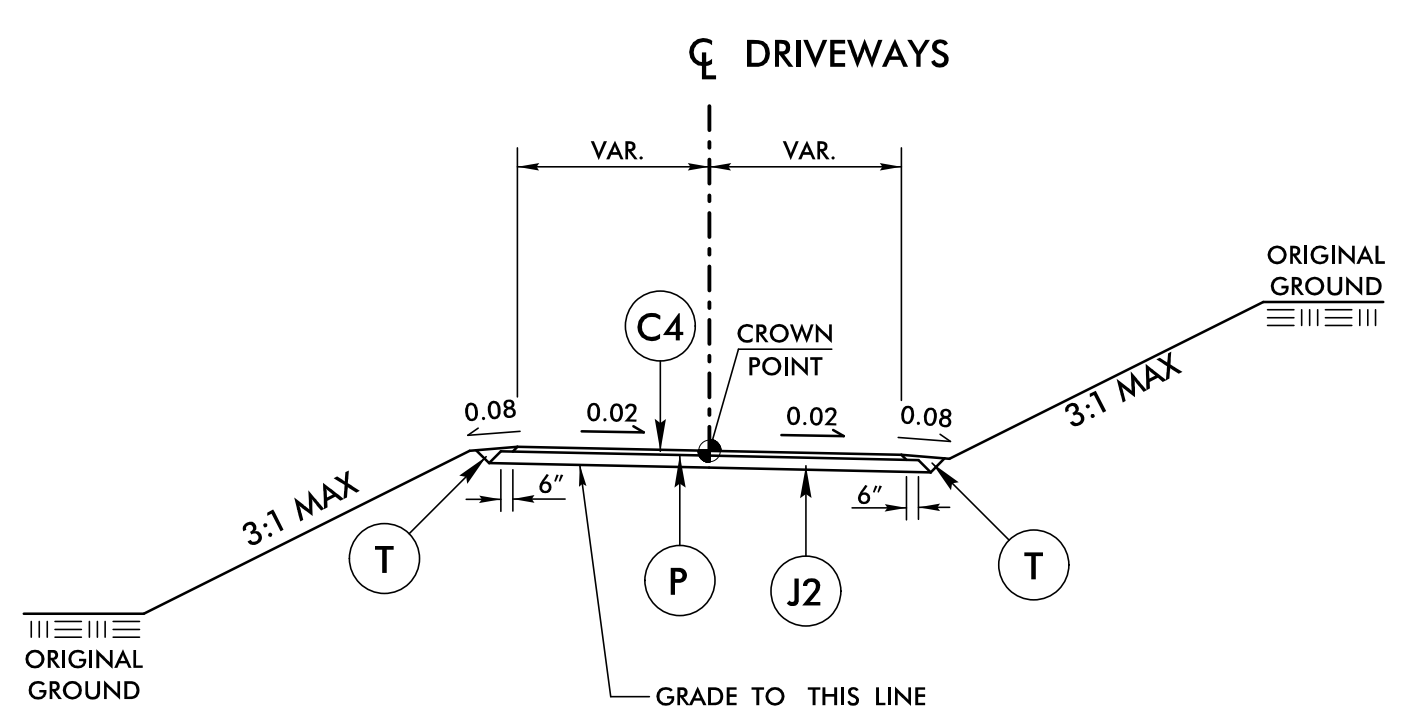


TYPICAL SECTION NO. 28

USE TYPICAL SECTION NO. 28:
 AT TEMPORARY WIDENING LOCATIONS AS SHOWN IN THE WORK ZONE TRAFFIC CONTROL PLANS.
 DIMENSIONS SHOWN ARE MINIMUMS AND SUBJECT TO CHANGE AS DIRECTED BY THE ENGINEER TO SUIT FIELD CONDITIONS.

WIDENING IS SHOWN ON BOTH SIDES OF THE TYPICAL TO REFLECT THE CUT AND FILL SECTIONS. HOWEVER, ACTUAL TEMPORARY WIDENING WILL TYPICALLY OCCUR ONLY ON ONE SIDE OF THE EXISTING PAVEMENT AT ONE TIME - SEE THE TRAFFIC CONTROL PLANS FOR PHASING.

NOTE:
 ** FOR TEMPORARY PAVEMENT, IN AREAS OF NARROW WIDENING, 4.0" OF B25.0C MAY BE USED IN LIEU OF THE 8.0" OF ABC IN WHICH CASE THE PRIME COAT IS NOT NEEDED.

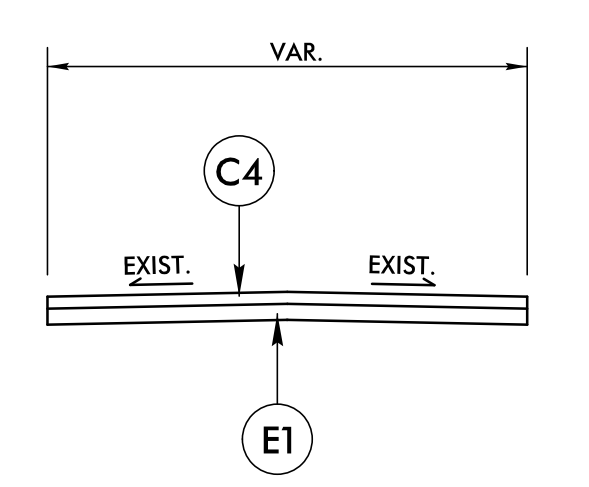


TYPICAL SECTION NO. 29

USE TYPICAL SECTION NO. 29:
 AT DRIVEWAY LOCATIONS TO THE DIMENSIONS SHOWN IN THE PLANS OR AS DIRECTED BY THE ENGINEER.

NOTE:
 DRIVEWAY PAVEMENT TO BE REPLACED "IN KIND".
 - IF EXISTING DRIVEWAY IS GRAVEL, REPLACE WITH 6" ABC.
 - IF EXISTING DRIVEWAY IS ASPHALT, REPLACE WITH 3" S9.5B ON 6" ABC (PER THE TYPICAL SHOWN).
 - NOTABLE EXCEPTION: IF PROPOSED DRIVEWAY GRADE IS >7%, PAVE WITH 3" S9.5B ON 8" ABC.
 - IF EXISTING DRIVEWAY IS CONCRETE, REPLACE WITH AT LEAST 6" JOINTED CONCRETE REINFORCED WITH WIRE MESH.

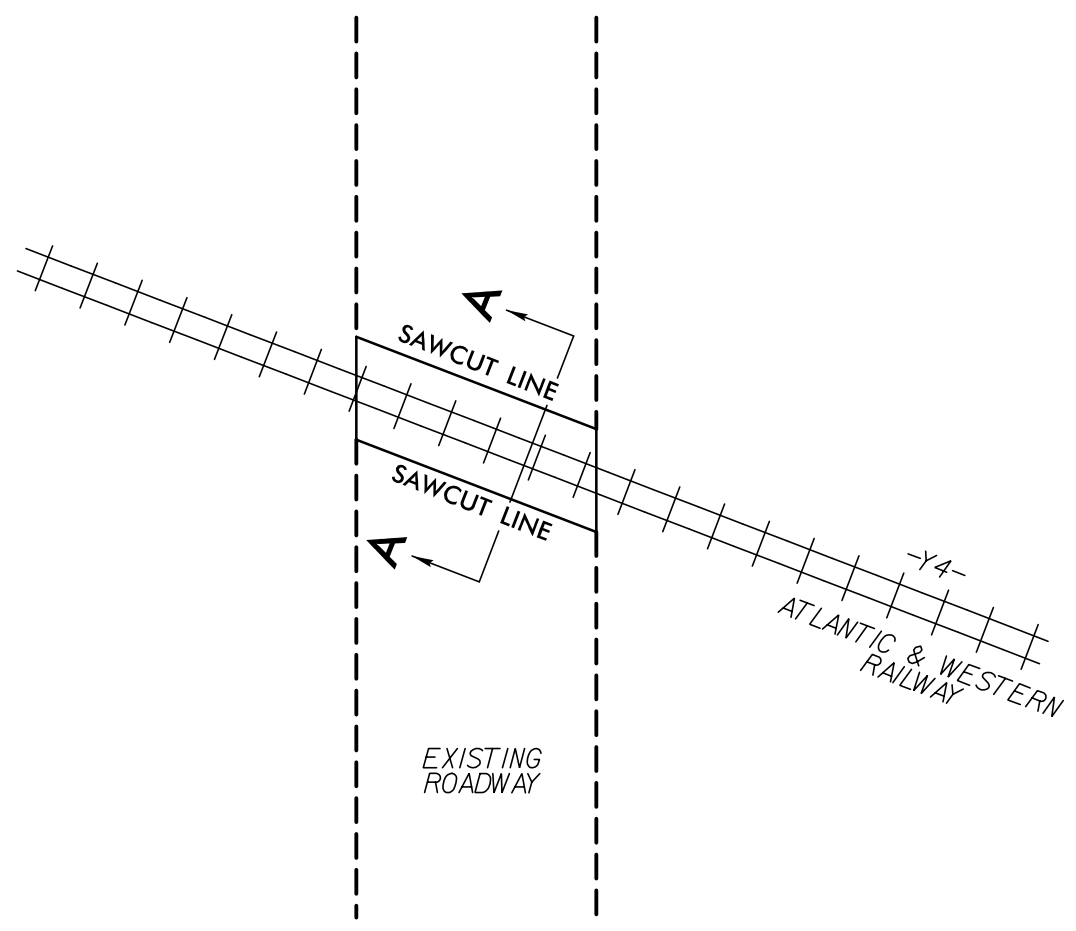
RAILROAD CROSSING REMOVAL DETAIL



TYPICAL SECTION NO. 30

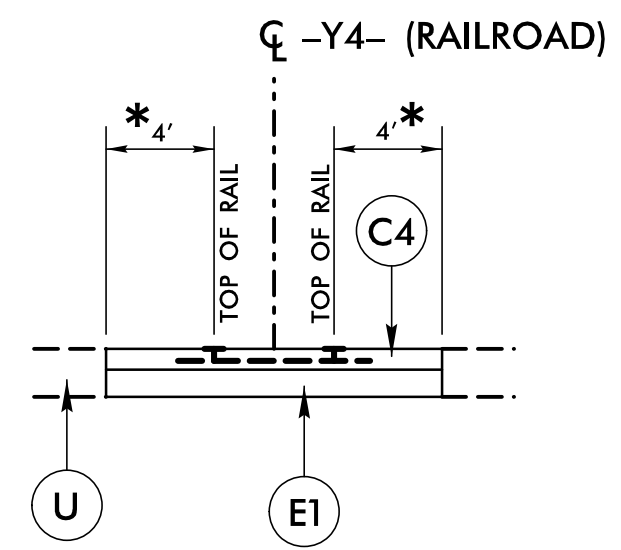
USE TYPICAL SECTION NO. 30:
 AT THE FOLLOWING RAILROAD CROSSING LOCATIONS:
 -Y4- @ -Y3- (NASH ST.)
 -Y4- @ -L- (NC 42)
 -Y4- @ -Y5- (ROSSER RD.)

NOTE:
 - CONTRACTOR TO SAWCUT AND REMOVE EXISTING PAVEMENT AS DIRECTED BY THE ENGINEER
 - ATLANTIC & WESTERN RAILWAY TO REMOVE THE RAILROAD CROSSING
 - CONTRACTOR TO PERFORM PAVEMENT REPAIR USING THIS TYPICAL OR AS DIRECTED BY THE ENGINEER



PLAN VIEW

* OR AS DIRECTED BY THE ENGINEER



SECTION A-A

PROJECT REFERENCE NO. R-3830	SHEET NO. 2A-10
ROADWAY DESIGN ENGINEER MARCUS LOWERY 027418 8/3/2022 12:42 PM EDT	PAVEMENT DESIGN ENGINEER MARCUS LOWERY 022896 8/3/2022 11:55 AM PDT
DOCUMENT NOT CONSIDERED FINAL UNLESS ALL SIGNATURES COMPLETED	
TGS ENGINEERS 706 HILLSBOROUGH ST. SUITE 200 RALEIGH, NC 27603 PH (919) 773-8887 CORP. LICENSE NO.: C-0275	

C1	1 1/2" S9.5C
C2	3" S9.5C
C3	VAR. S9.5C
C4	3" S9.5B
C5	VAR. S9.5B
D1	2 1/2" I19.0C
D2	4" I19.5C
D3	VAR. I19.0C
E1	4" B25.0C
E2	5 1/2" B25.0C
E3	VAR. B25.0C
J1	8" ABC
J2	6" ABC
L	CLASS IV STAB.
N	GEOTEXTILE
P	PRIME COAT
R1	2'-6" C & G
R2	1'-6" C & G
R3	5" CONC. ISLAND
R4	EXIST. C & G
R5	2'-9" C & G
R6	8"X18" CURB
R7	GRANITE CURB
S	4" SIDEWALK
T	EARTH MATERIAL
U	EXIST. PAVEMENT
V1	1 1/2" MILLING
V2	3" MILLING
V3	2 1/2" MILLING
W1	WEDGING
W2	WEDGING
W3	WEDGING