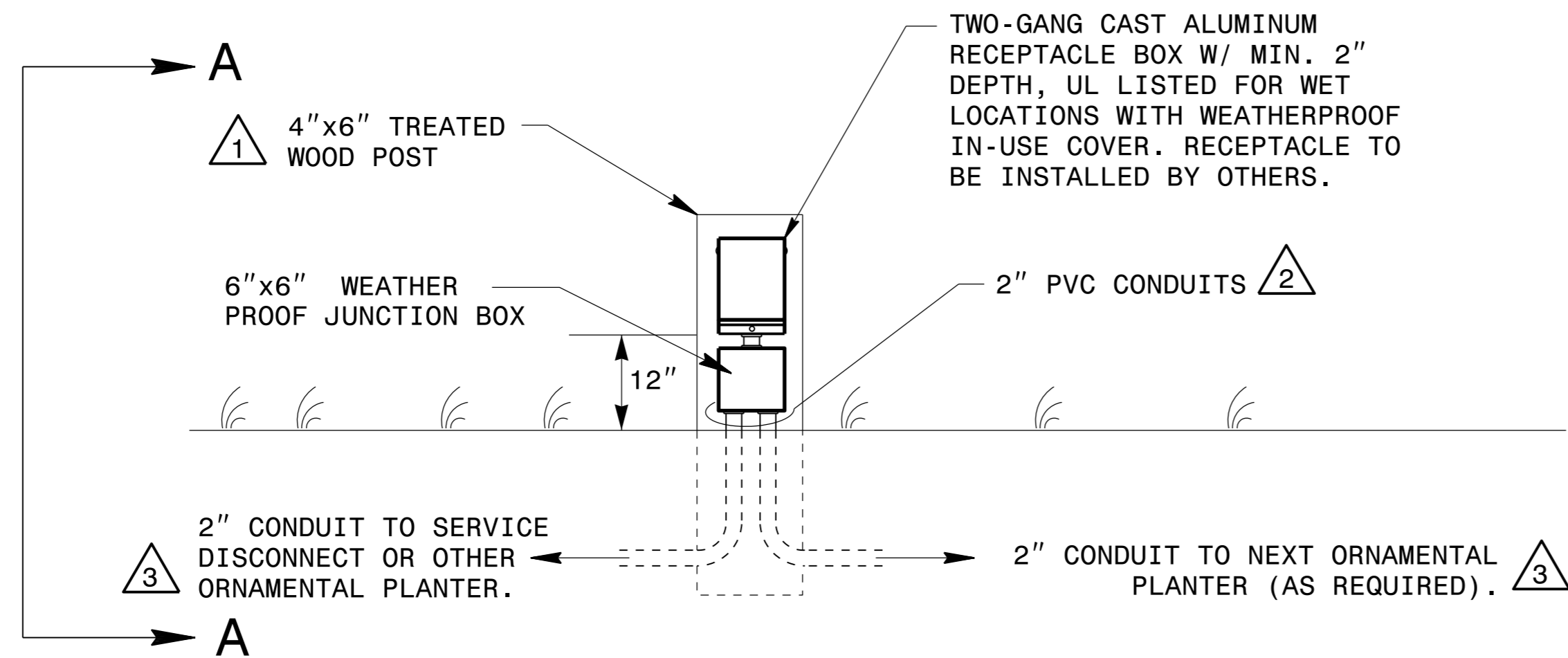


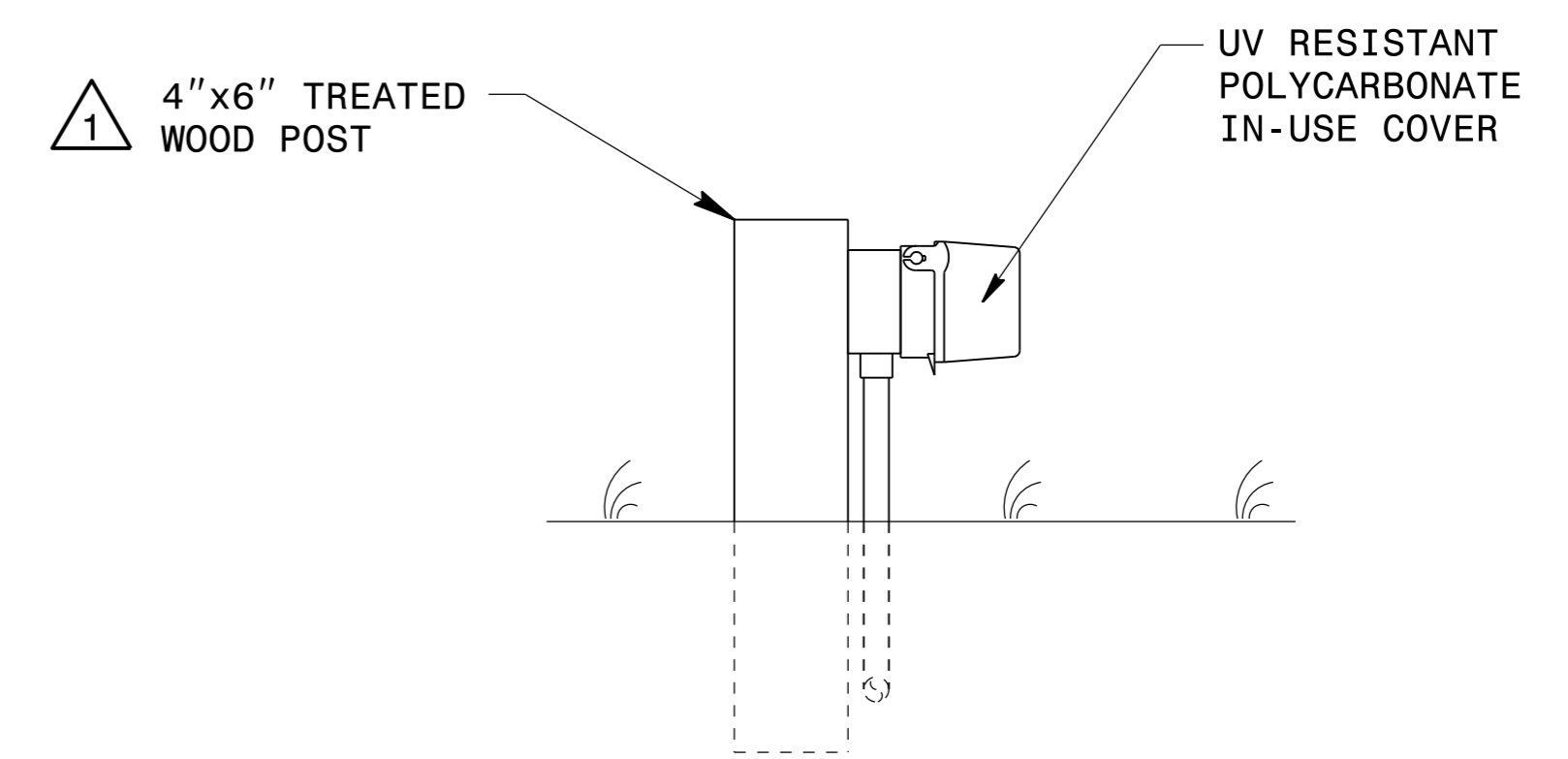
DocuSigned by:
Roger C. Kluckman

**DOCUMENT NOT CONSIDERED FINAL
UNLESS ALL SIGNATURES COMPLETED**



POST MOUNTED RECEPTACLE

SEE SHEETS E1 AND O4 FOR LOCATIONS AND ADDITIONAL DETAILS



SECTION A-A

NOTES:

- 1 USE TREATED WOODEN POST RATED FOR GROUND CONTACT. EMBED WOOD POST IN GROUND A MINIMUM OF 18". BACK FILL AND COMPACT FILL MATERIAL TO SECURE POST IN GROUND.
- 2 SECURELY STRAP CONDUIT TO WOOD POST PER NEC SPACING REQUIREMENTS.
- 3 INSTALL CONDUIT ONLY. INCLUDE NON-ROTTING PULL STRING. CONDUCTOR TO BE INSTALLED BY OTHERS.

2			
1			
Rev.	Date	Description	Approved
NORTH CAROLINA DEPARTMENT OF TRANSPORTATION ROADWAY DESIGN LIGHTING/ELECTRICAL SECTION WEATHERPROOF RECEPTACLE BOX EAST MAIN ST (NC 78) AT HORNER BLVD (NC 87) LEE COUNTY			
Drawn By:	RGH	Approved By:	Dwg No.: