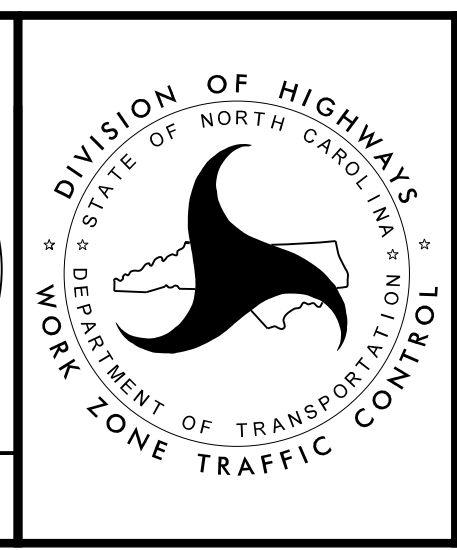
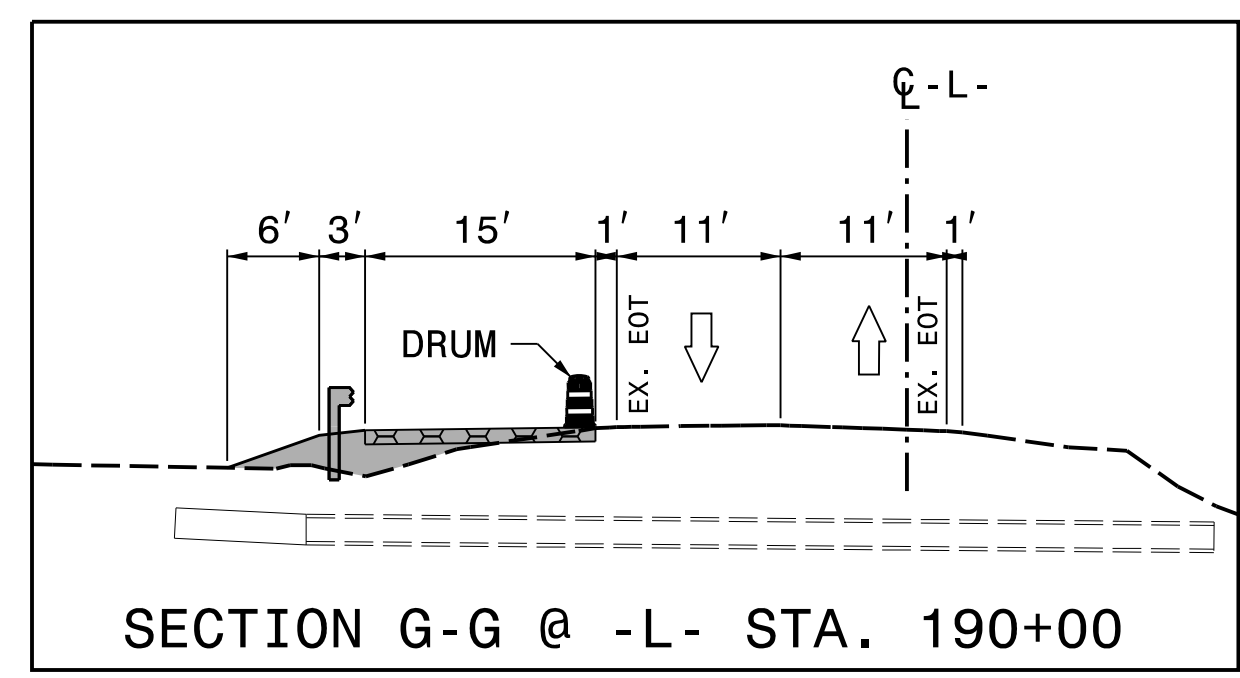


PLOT DRIVER: NCDOT\_pdf\_color\_eng\_50.plt  
 USER: CHARNDEN  
 DATE: 5/4/2022  
 FILE: p:\p\p\h\p\uses\01\HDR\_US\_East\_01\Documents\3322\10002133\10279033\6\_0\_CAD\_BITMAP\6.2\_WIP\TrafficControl\CP\R3830\_TC\_TMP-04.14.dgn



PHASE 1 - STEP 1