

PROJECT REFERENCE NO. R-3830	SHEET NO. 16
RW SHEET NO.	
ROADWAY DESIGN ENGINEER MARCUS LOMERY 027418 6/30/2022 3:01 PM EDT	HYDRAULICS ENGINEER MARCUS LOMERY 044158 6/30/2022 3:10 PM EDT
DOCUMENT NOT CONSIDERED FINAL UNLESS ALL SIGNATURES COMPLETED	
TGS ENGINEERS 706 HILLSBOROUGH ST., SUITE 200 RALEIGH, NC 27603 PH (919) 773-8887 CORP. LICENSE NO.: C-0275	

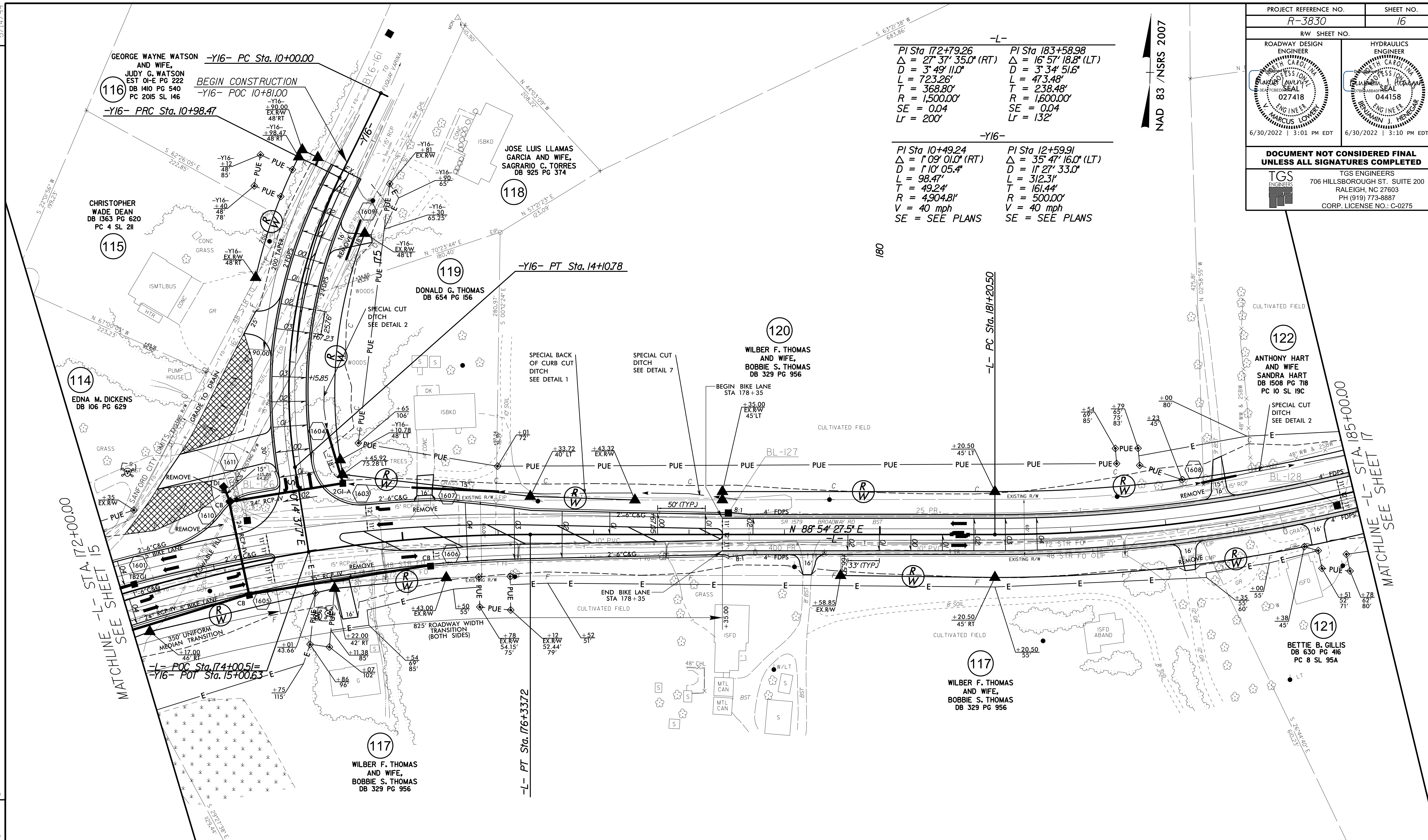
NAD 83 / NSRS 2007

-L-

PI Sta 172+79.26 $\Delta = 27^{\circ} 37' 35.0''$ (RT) D = 3' 49' 11.0" L = 723.26' T = 368.80' R = 1,500.00' SE = 0.04 Lr = 200'	PI Sta 183+58.98 $\Delta = 16^{\circ} 57' 18.8''$ (LT) D = 3' 34' 51.6" L = 473.48' T = 238.48' R = 1,600.00' SE = 0.04 Lr = 132'
--	--

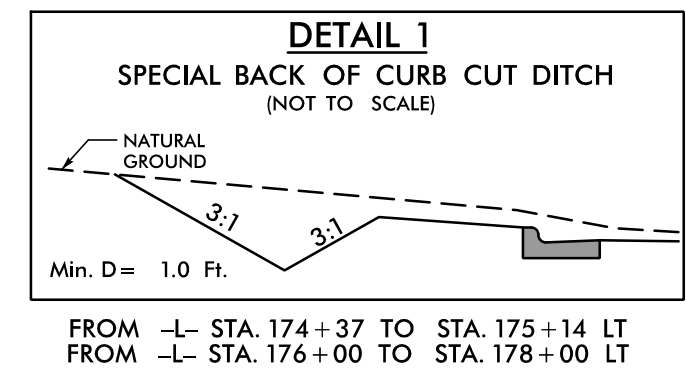
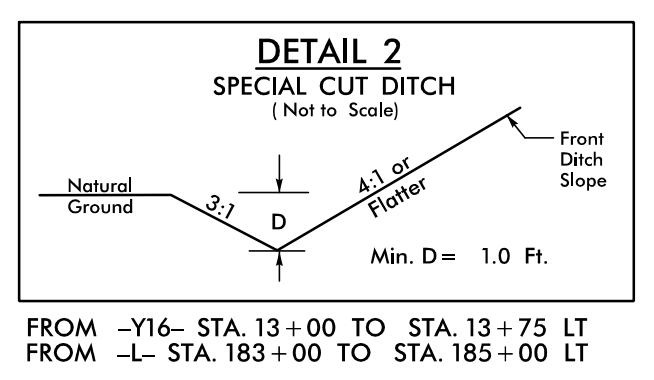
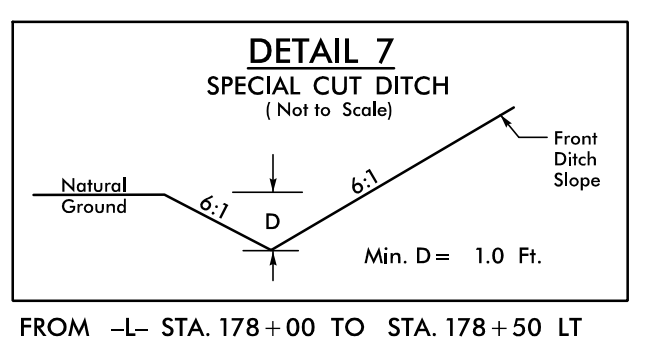
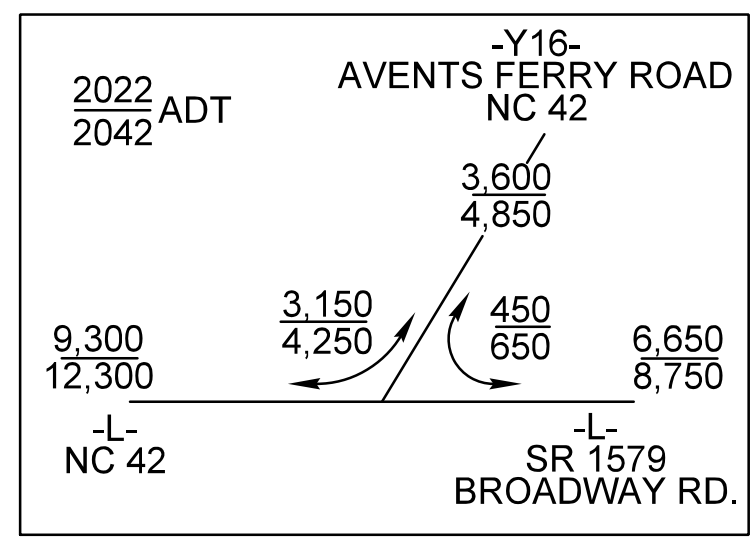
-Y16-

PI Sta 10+49.24 $\Delta = 1^{\circ} 09' 01.0''$ (RT) D = 1' 10' 05.4" L = 98.47' T = 49.24' R = 4,904.81' SE = SEE PLANS	PI Sta 12+59.91 $\Delta = 35^{\circ} 47' 16.0''$ (LT) D = 1' 27' 33.0" L = 312.31' T = 161.44' R = 500.00' SE = SEE PLANS
--	---



MATCHLINE -L- STA. 172+00.00
SEE SHEET 15

MATCHLINE -L- STA. 185+00.00
SEE SHEET 17



RADI DIMENSIONS ARE TO FACE OF CURB (F/C) UNLESS OTHERWISE NOTED

SEE SHEETS 2B-1 THRU 2B-6 FOR INTERSECTION DETAILS

SEE SHEET 34 FOR -L- PROFILE
SEE SHEET 42 FOR -Y16- PROFILE

REVISIONS

5/14/19
5/10/2022
Projects\NICDOT\16-3830-Roadway\Proj\16-3830-rdy_psh_16.dgn