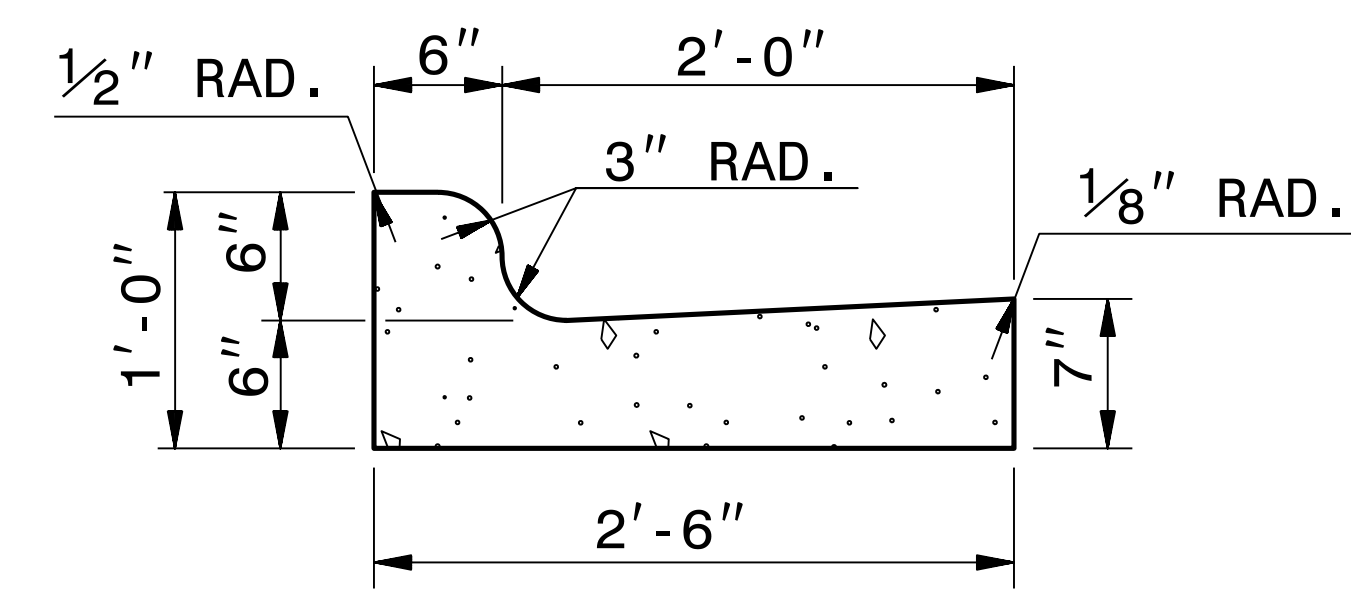


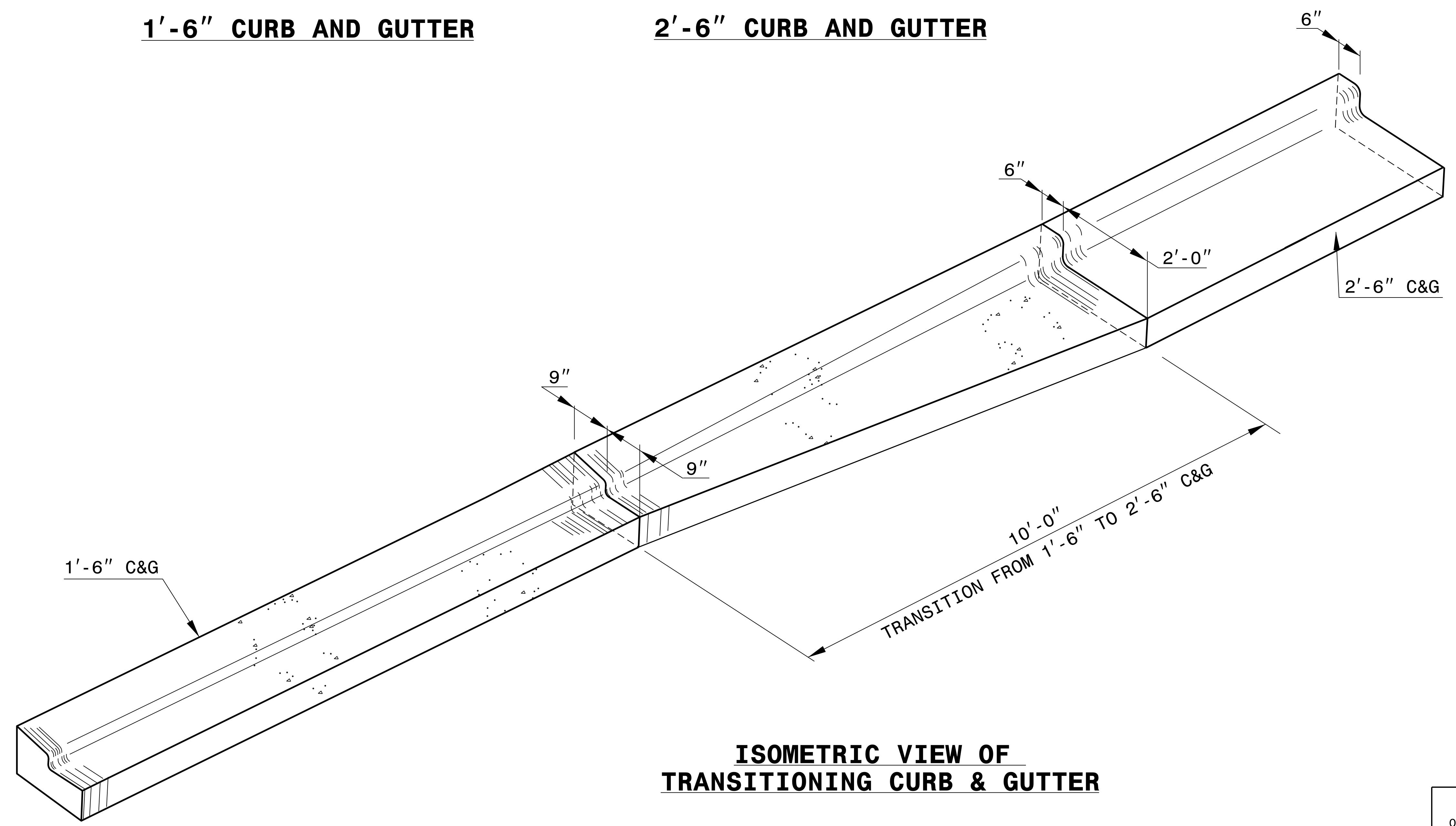
**1'-6" CURB AND GUTTER**



**2'-6" CURB AND GUTTER**

NOTE: SEE STD. DWG. 846.01 FOR ADDITIONAL CURB AND GUTTER INFORMATION.

SEE ROADWAY PLANS FOR LOCATION OF CURB TRANSITION.



**ISOMETRIC VIEW OF TRANSITIONING CURB & GUTTER**



6/30/2022 | 3:43 PM EDT

DOCUMENT NOT CONSIDERED FINAL UNLESS ALL SIGNATURES COMPLETED

**CONTRACT STANDARDS AND DEVELOPMENT UNIT**  
 Office 919-707-6950 FAX 919-250-4119

**DETAIL OF 1'-6" TO 2'-6" CURB & GUTTER TRANSITION SECTION**

ORIGINAL BY: T.S.SPELL DATE: MARCH 3, 2000  
 MODIFIED BY: DATE:  
 CHECKED BY: DATE:  
 FILE SPEC.: DS174:/usr/details/stand/cgtransit.dgn