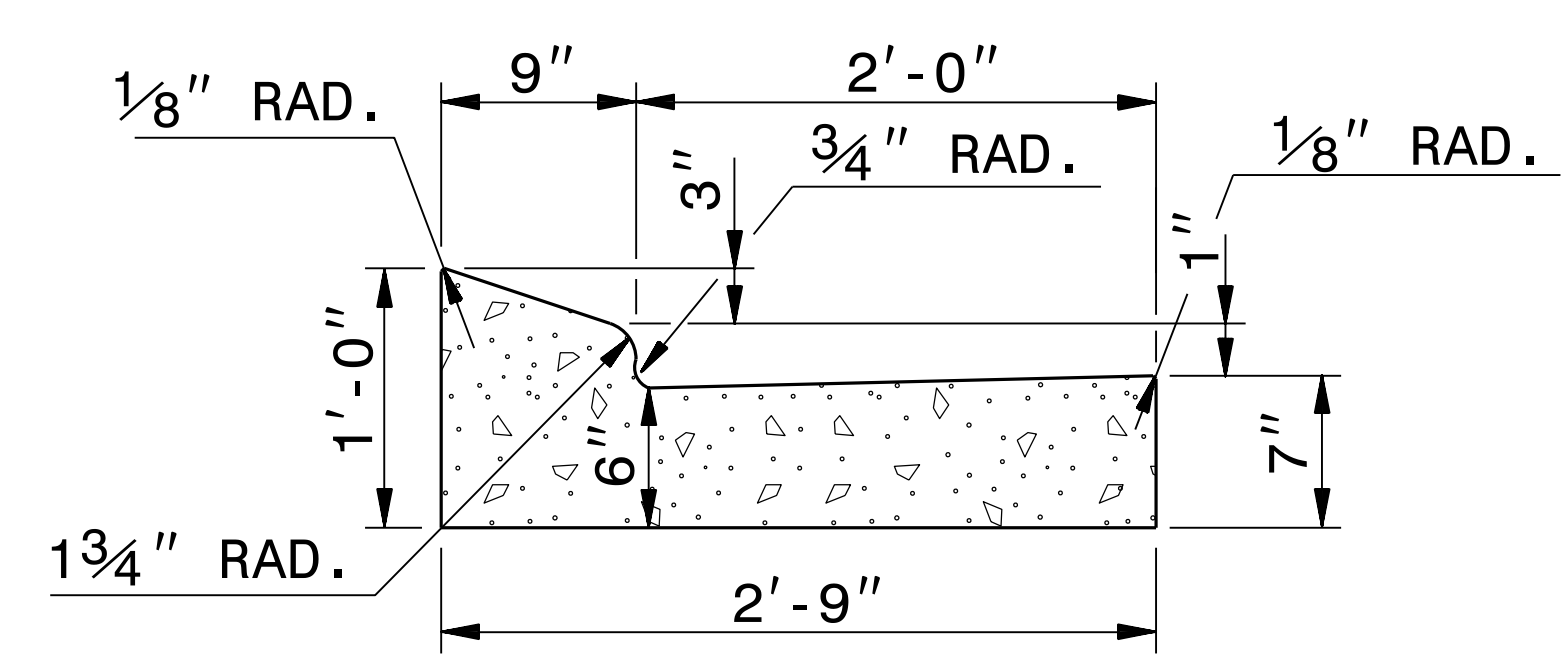


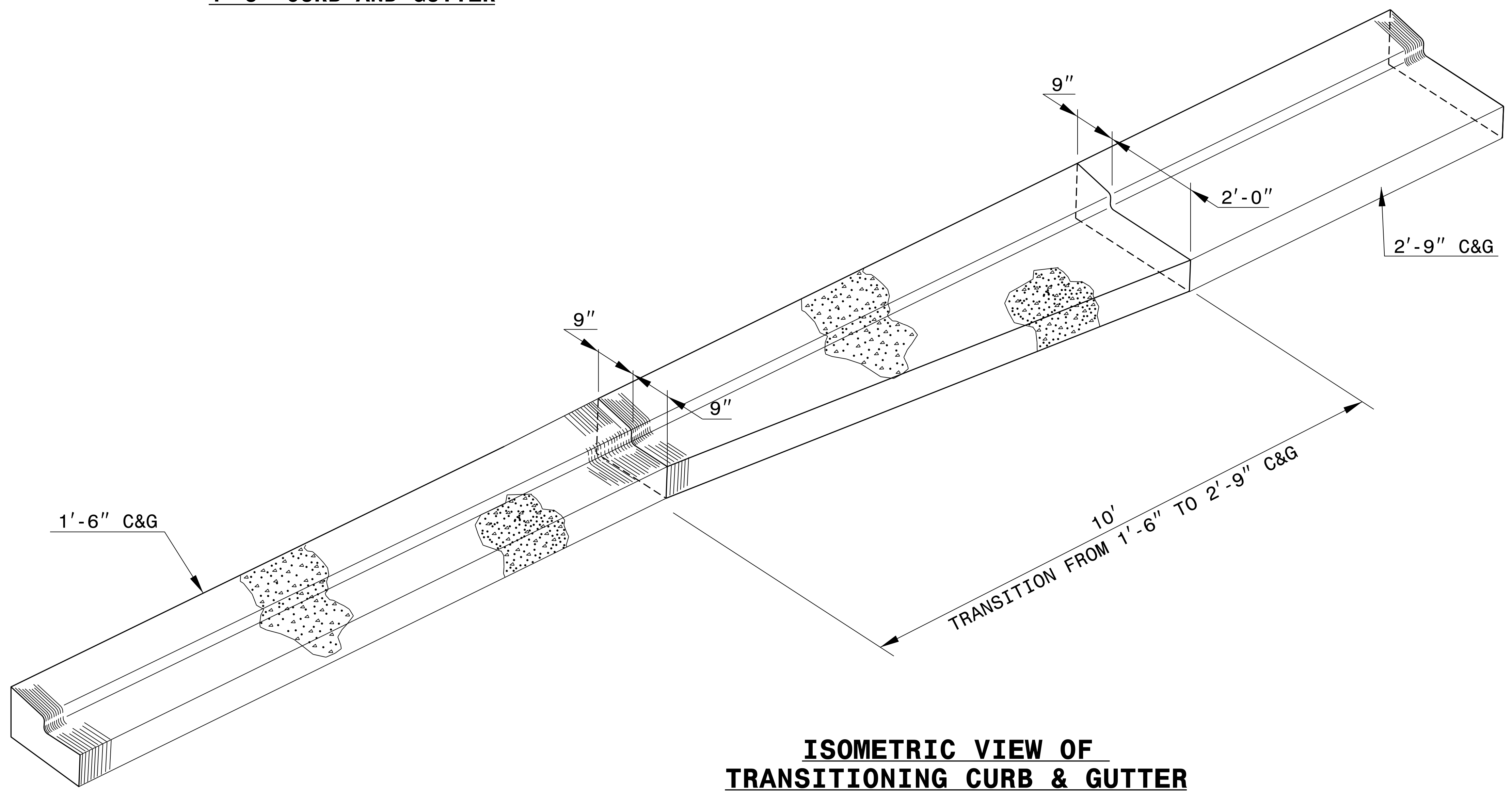
1'-6" CURB AND GUTTER



2'-9" CURB AND GUTTER

NOTE: SEE STD. DWG. 846.01 FOR ADDITIONAL CURB AND GUTTER INFORMATION.

SEE ROADWAY PLANS FOR LOCATION OF CURB TRANSITION.



ISOMETRIC VIEW OF TRANSITIONING CURB & GUTTER



6/30/2022 | 3:43 PM EDT

DOCUMENT NOT CONSIDERED FINAL UNLESS ALL SIGNATURES COMPLETED

CONTRACT STANDARDS AND DEVELOPMENT UNIT
 Office 919-707-6950 FAX 919-250-4119

DETAIL OF 1'-6" TO 2'-9" CURB & GUTTER TRANSITION SECTION

ORIGINAL BY: T.S.SPELL DATE: NOV. 26, 2001
 MODIFIED BY: T.S.SPELL DATE: JAN. 23, 2007
 CHECKED BY: DATE:
 FILE SPEC.: DS174:/usr/details/stand/cqtransit.dgn