

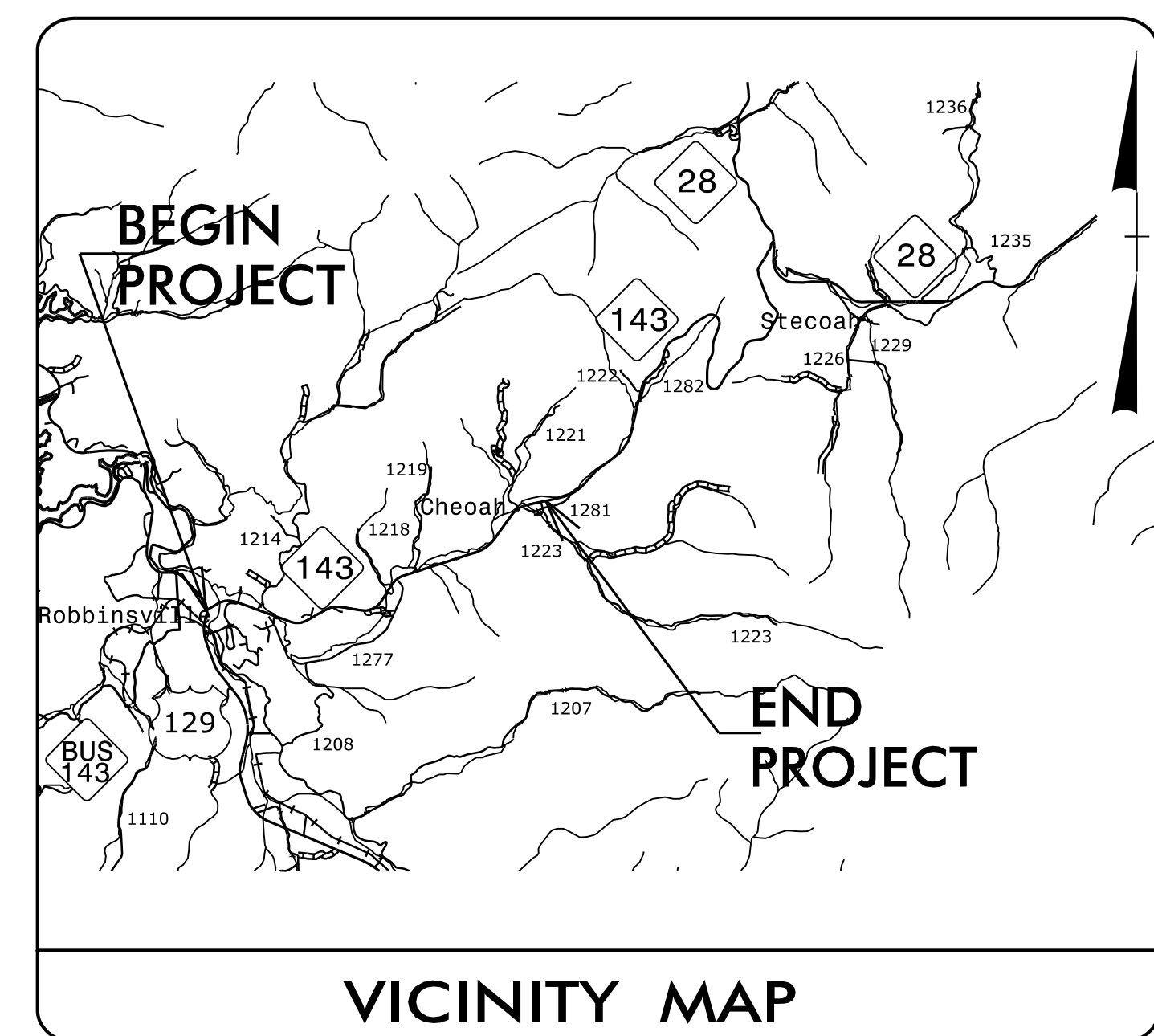
**This electronic collection of documents is provided
for the convenience of the user
and is Not a Certified Document –**

**The documents contained herein were originally issued
and sealed by the individuals whose names and license
numbers appear on each page, on the dates appearing
with their signature on that page.**

**This file or an individual page
shall not be considered a certified document.**

09/28/09

TIP PROJECT: A-0009CA



VICINITY MAP

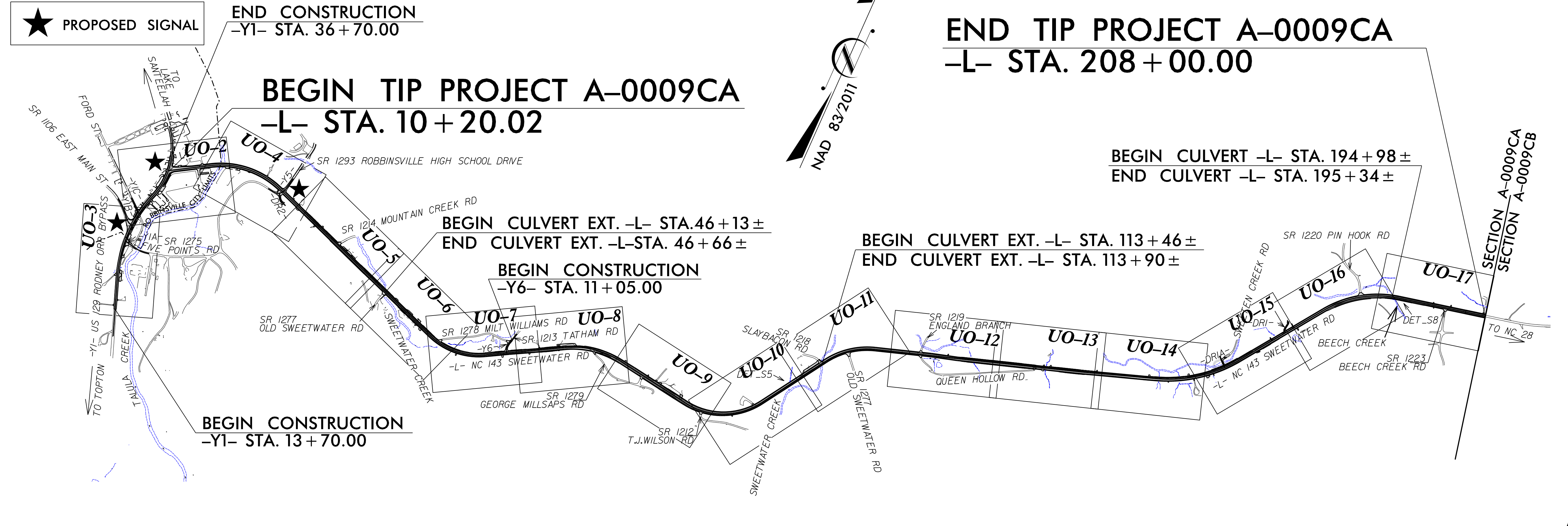
STATE OF NORTH CAROLINA
DIVISION OF HIGHWAYS

**UTILITIES BY OTHERS PLANS
GRAHAM COUNTY**

**LOCATION: UPGRADE US 129 FROM SOUTH OF SR 1275 (FIVE POINTS ROAD) TO NC 143
AND UPGRADE NC 143 FROM US 129 TO SR 1223 (BEECH CREEK ROAD)**
TYPE OF WORK: POWER DISTRIBUTION, CATV, TELEPHONE RELOCATION

T.I.P. NO.	SHEET NO.
A-0009CA	UO-1

NOTE:
ALL UTILITY WORK SHOWN ON THIS SHEET WILL BE DONE BY OTHERS.
NO PAYMENT WILL BE MADE TO THE CONTRACTOR FOR UTILITY WORK SHOWN ON THIS SHEET.



★ PROPOSED SIGNAL

END CONSTRUCTION
-Y1- STA. 36+70.00

BEGIN TIP PROJECT A-0009CA
-L- STA. 10+20.02

END TIP PROJECT A-0009CA
-L- STA. 208+00.00

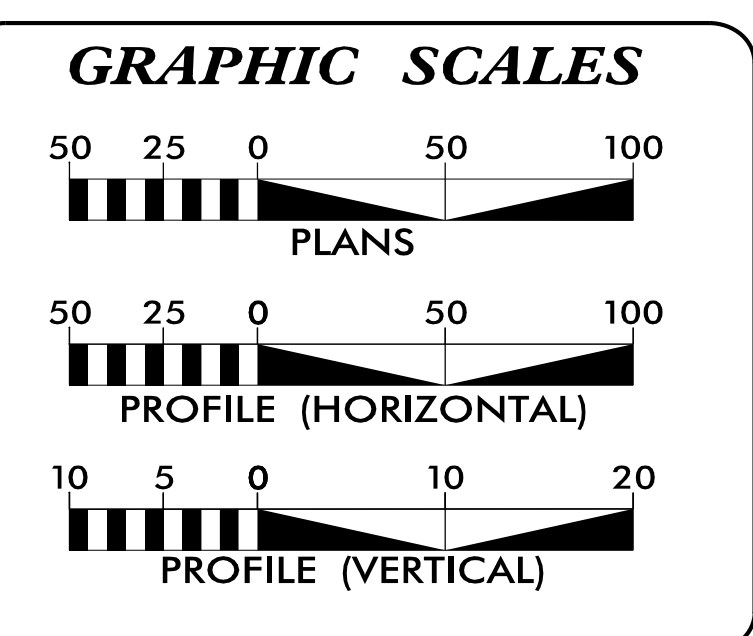
BEGIN CONSTRUCTION
-Y1- STA. 13+70.00

BEGIN CULVERT EXT. -L- STA. 46+13 ±
END CULVERT EXT. -L- STA. 46+66 ±

BEGIN CONSTRUCTION
-Y6- STA. 11+05.00

BEGIN CULVERT EXT. -L- STA. 113+46 ±
END CULVERT EXT. -L- STA. 113+90 ±

BEGIN CULVERT -L- STA. 194+98 ±
END CULVERT -L- STA. 195+34 ±



INDEX OF SHEETS

SHEET NO.:	DESCRIPTION:
UO-1	TITLE SHEET
UO-2 THRU UO-17	UBO PLAN SHEETS

UTILITY OWNERS WITH CONFLICTS

(A) POWER - DUKE ENERGY
(B) COMMUNICATIONS - FRONTIER
(C) COMMUNICATIONS - BALSAM WEST
(D) COMMUNICATIONS/CATV - ZITO MEDIA

PREPARED IN THE OFFICE OF:

TELICS
1598 WESTBROOK PLAZA DR.
SUITE 202
WINSTON-SALEM, NC 27103
(336) 803-6038

JIM BROOKS UTILITY PROJECT MANAGER
CHRIS KENNEDY PROJECT UTILITY COORDINATOR

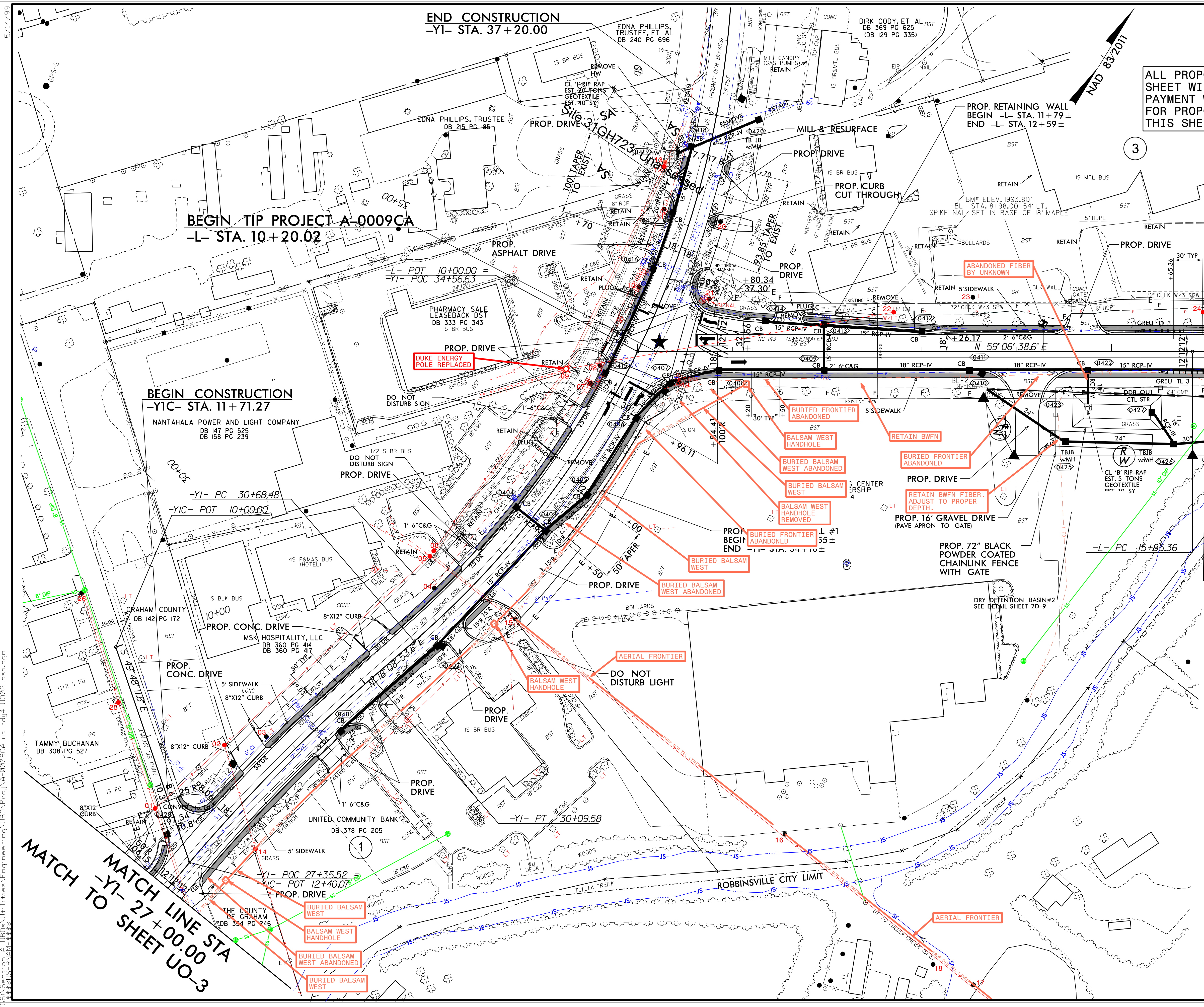
**DIVISION OF HIGHWAYS
DIVISION 14**
253 WEBSTER ROAD
SYLVIA, NC 28779

WANDA AUSTIN, PE DIVISION ENGINEER
BOB GOLDING DIVISION UTILITY ENGINEER

27-MAY-2022 16:21
 C:\UBO_FILES\2020\UCTG-14 A-0009CA\Section A UB0s\Utilities\Engineering\UB0\Proj\A-0009CA_ut-fsh_U001_psh.dgn
 \$\$\$USERNAME\$\$\$

UTILITIES BY OTHERS

ALL PROPOSED UTILITY WORK SHOWN ON THIS SHEET WILL BE DONE BY OTHERS. NO PAYMENT WILL BE MADE TO THE CONTRACTOR FOR PROPOSED UTILITY WORK SHOWN ON THIS SHEET.



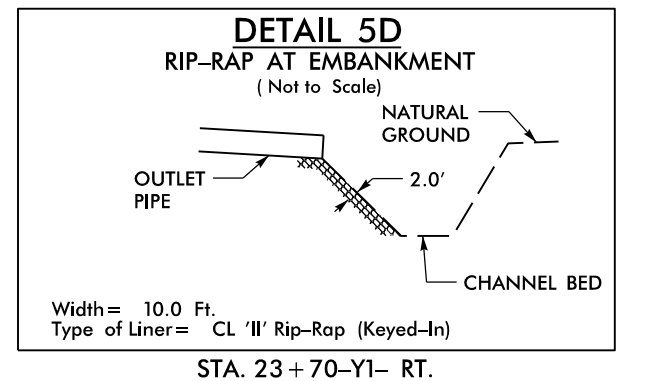
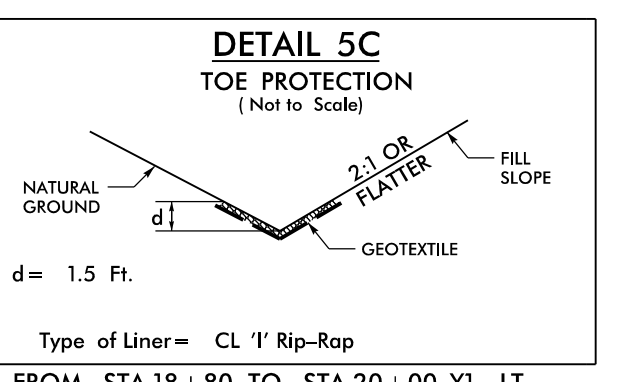
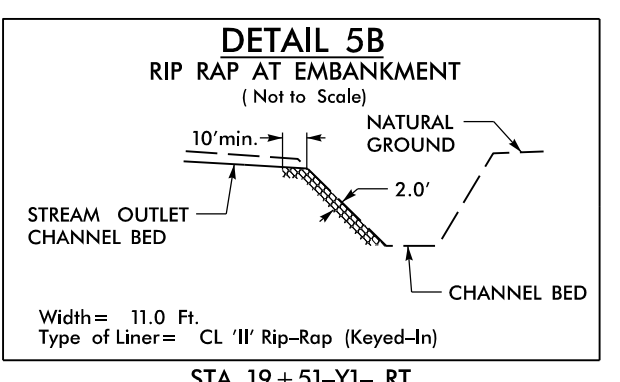
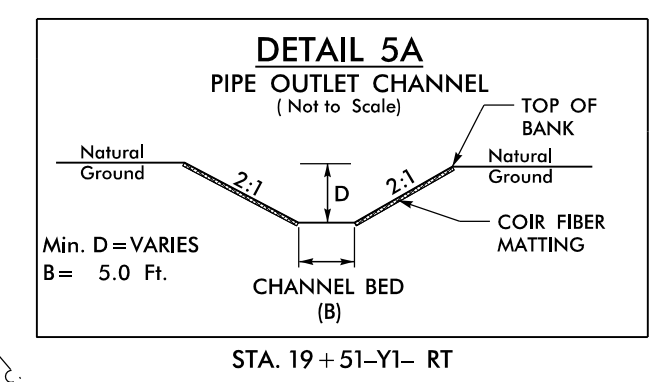
MATCH LINE STA -L- 16+00.00
MATCH TO SHEET UO-4

MATCH LINE STA -YI- 27+00.00
MATCH TO SHEET UO-3

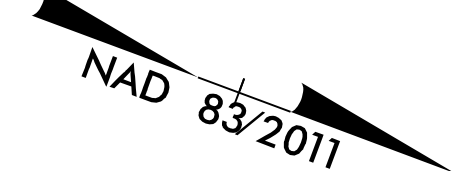
5/14/09
27-MAY-2022 15:09
C:\Users\jacob\Documents\Projects\Utilities\Engineering\UBO\Pre\VA-0009CA.ut_rdy4_UO02.esh.dgn

UTILITIES BY OTHERS

ALL PROPOSED UTILITY WORK SHOWN ON THIS SHEET WILL BE DONE BY OTHERS. NO PAYMENT WILL BE MADE TO THE CONTRACTOR FOR PROPOSED UTILITY WORK SHOWN ON THIS SHEET.

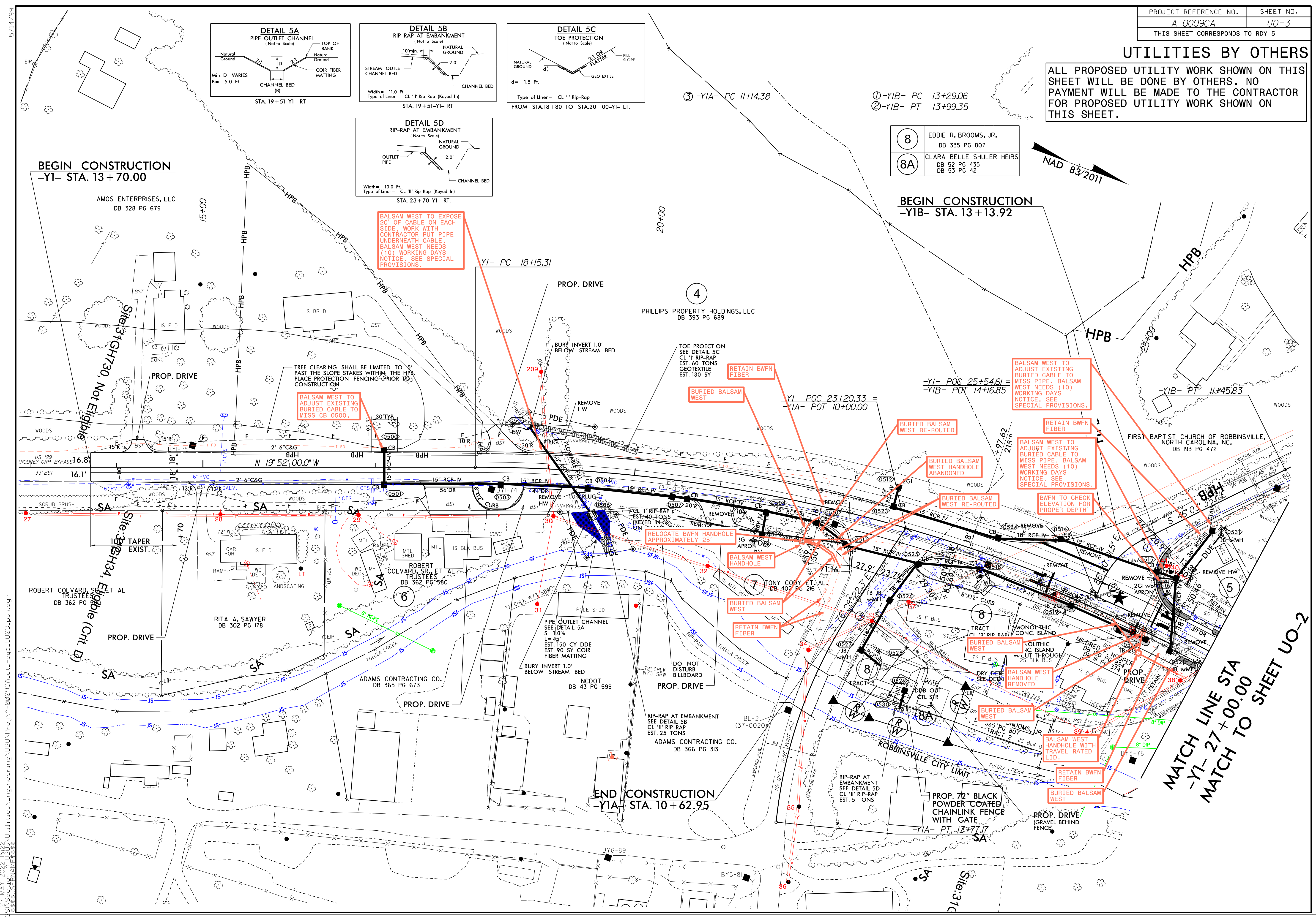


8	EDDIE R. BROOMS, JR. DB 335 PG 807
8A	CLARA BELLE SHULER HEIRS DB 52 PG 435 DB 53 PG 42



BEGIN CONSTRUCTION
-Y1- STA. 13+70.00

BEGIN CONSTRUCTION
-Y1B- STA. 13+13.92



BALSAM WEST TO EXPOSE 20' OF CABLE ON EACH SIDE. WORK WITH CONTRACTOR PUT PIPE UNDERNEATH CABLE. BALSAM WEST NEEDS (10) WORKING DAYS NOTICE. SEE SPECIAL PROVISIONS.

BALSAM WEST TO ADJUST EXISTING BURIED CABLE TO MISS CB 0500.

4

-Y1- POS 25+54.61 =
-Y1B- POT 14+16.85

-Y1- POC 23+20.33 =
-Y1A- POT 10+00.00

BALSAM WEST TO ADJUST EXISTING BURIED CABLE TO MISS PIPE. BALSAM WEST NEEDS (10) WORKING DAYS NOTICE. SEE SPECIAL PROVISIONS.

BALSAM WEST TO ADJUST EXISTING BURIED CABLE TO MISS PIPE. BALSAM WEST NEEDS (10) WORKING DAYS NOTICE. SEE SPECIAL PROVISIONS.

BWFN TO CHECK ELEVATION FOR PROPER DEPTH

RELOCATE BWFN HANDHOLE APPROXIMATELY 25'

BALSAM WEST HANDHOLE

BURIED BALSAM WEST

RETAIN BWFN FIBER

BURIED BALSAM WEST

RETAIN BWFN FIBER

BURIED BALSAM WEST

RETAIN BWFN FIBER

BURIED BALSAM WEST

RETAIN BWFN FIBER

BURIED BALSAM WEST

RETAIN BWFN FIBER

MATCH LINE STA
-Y1- 27+00.00
MATCH TO SHEET U0-2

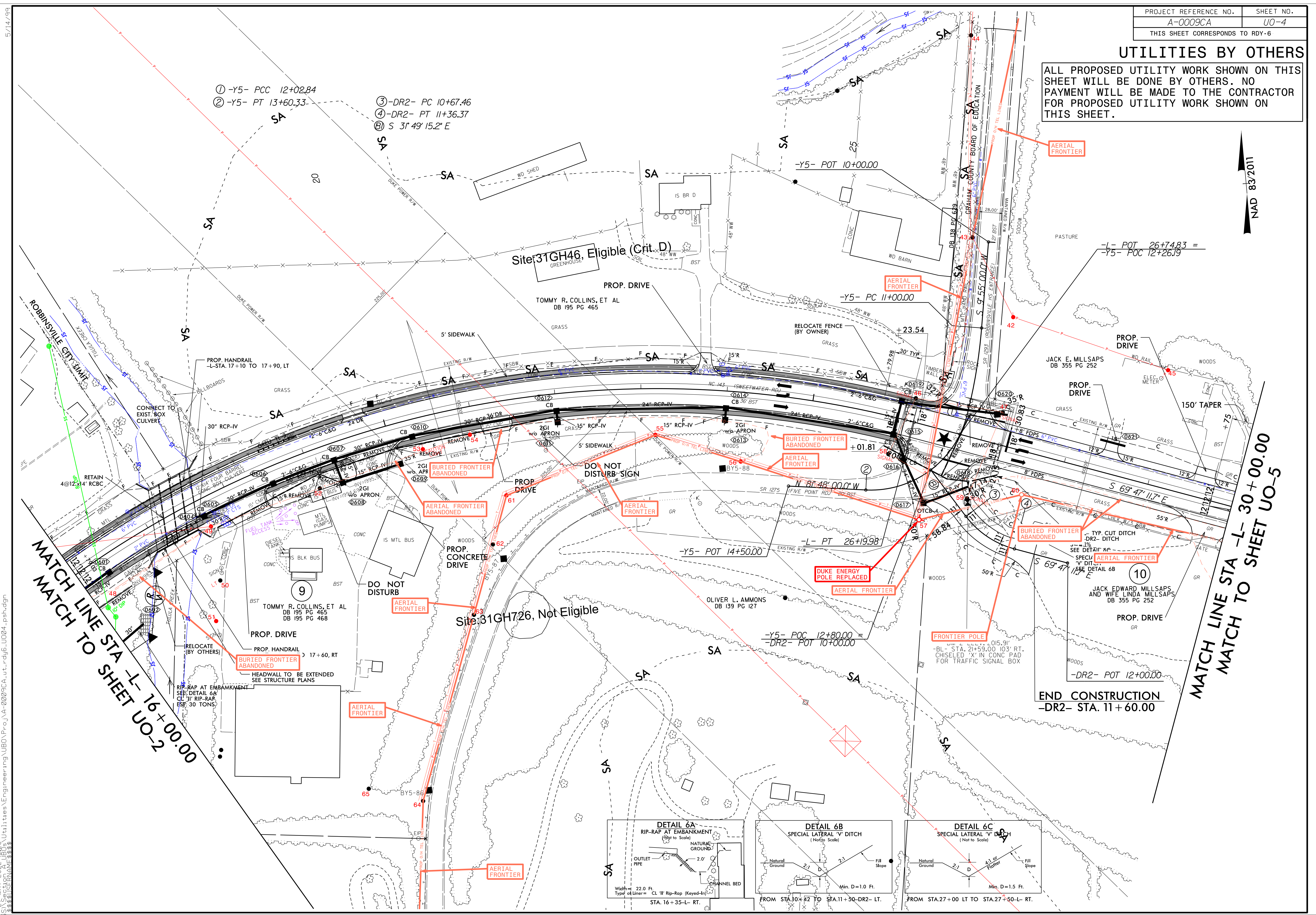
27-MAY-2022 15:22 Utilities\Engineering\UBD\ProJ\A-0009CA.ut_rdu5_U003_psh.dgn

PROJECT REFERENCE NO.	SHEET NO.
A-0009CA	UO-4
THIS SHEET CORRESPONDS TO RDY-6	

UTILITIES BY OTHERS

ALL PROPOSED UTILITY WORK SHOWN ON THIS SHEET WILL BE DONE BY OTHERS. NO PAYMENT WILL BE MADE TO THE CONTRACTOR FOR PROPOSED UTILITY WORK SHOWN ON THIS SHEET.

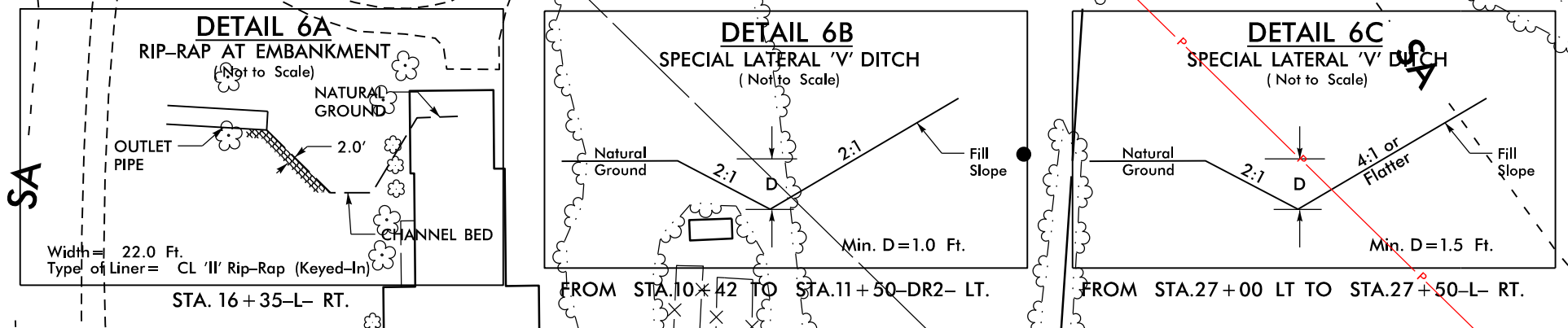
NAD 83/2011



MATCH LINE STA -L- 16+00.00
MATCH TO SHEET UO-2

MATCH LINE STA -L- 30+00.00
MATCH TO SHEET UO-5

END CONSTRUCTION
-DR2- STA. 11+60.00



5/14/2022
 27 MAY 2022 10:56 AM
 C:\Users\jgibson\Documents\Projects\A-0009CA\ut_rdy6_U004_psh.dgn
 0009CA (TDS) Utilities\Engineer\mg\UBO\Proj\A-0009CA\ut_rdy6_U004_psh.dgn
 0009CA (TDS) Utilities\Engineer\mg\UBO\Proj\A-0009CA\ut_rdy6_U004_psh.dgn

5/14/2022
27-MAY-2022 15:30
C:\Users\psh.dgm\Documents\Projects\0009CA\0009CA-Utilities\Engineering\UBO\Pro\0009CA-ut.-rdy7_U005-.psh.dgm

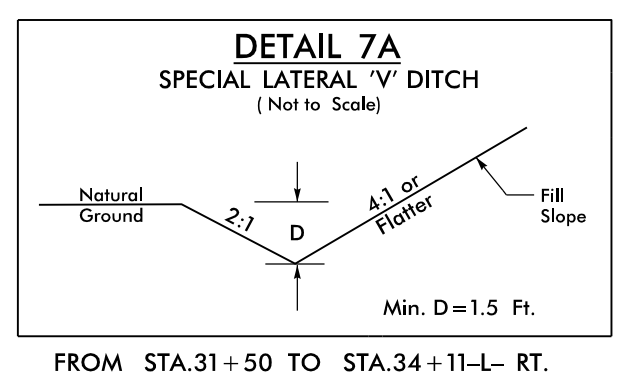
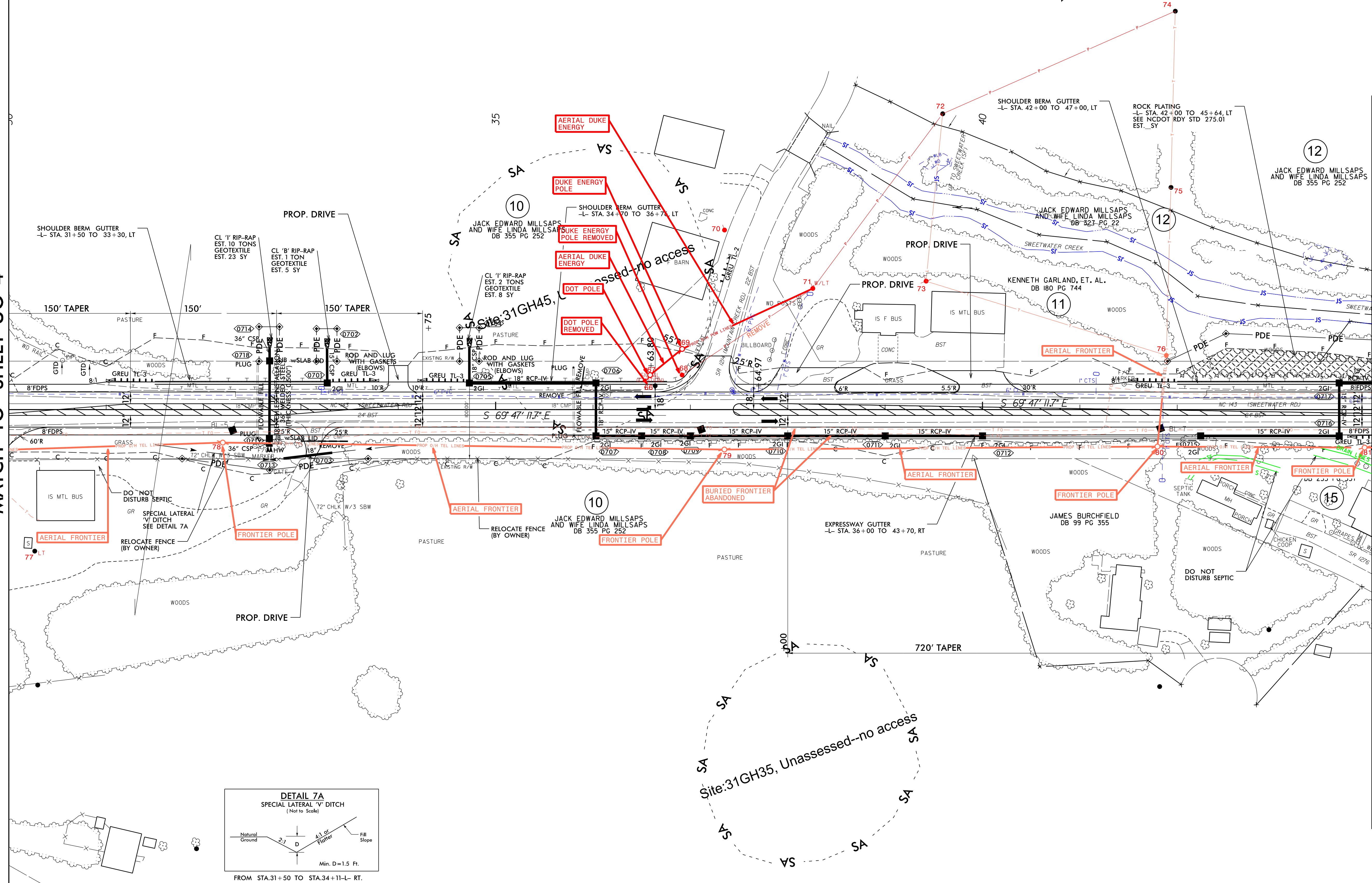
PROJECT REFERENCE NO.	SHEET NO.
A-0009CA	U0-5
THIS SHEET CORRESPONDS TO RDY-7	

UTILITIES BY OTHERS

ALL PROPOSED UTILITY WORK SHOWN ON THIS SHEET WILL BE DONE BY OTHERS. NO PAYMENT WILL BE MADE TO THE CONTRACTOR FOR PROPOSED UTILITY WORK SHOWN ON THIS SHEET.

MATCH LINE STA -L- 30+00.00
MATCH TO SHEET UO-4

MATCH LINE STA -L- 44+00.00
MATCH TO SHEET UO-6



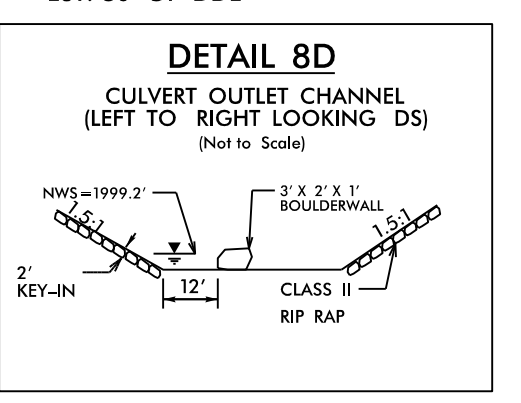
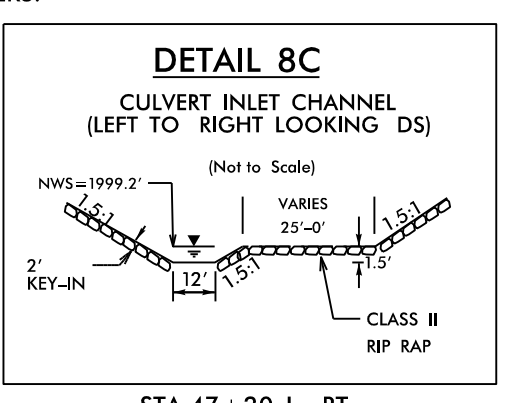
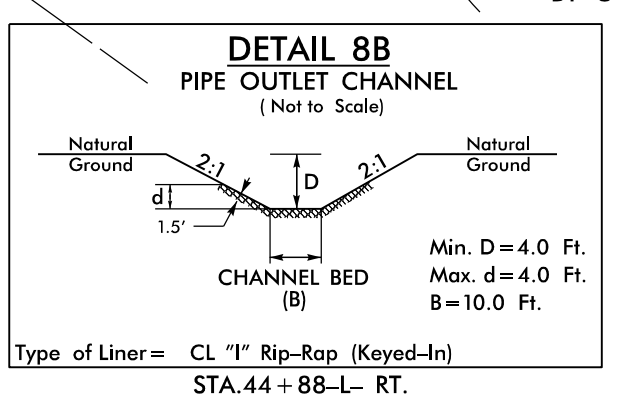
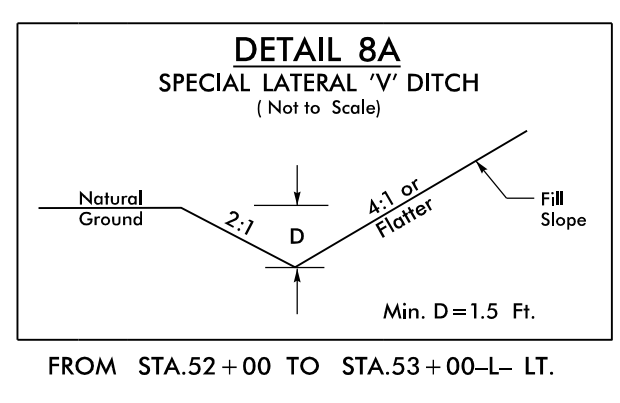
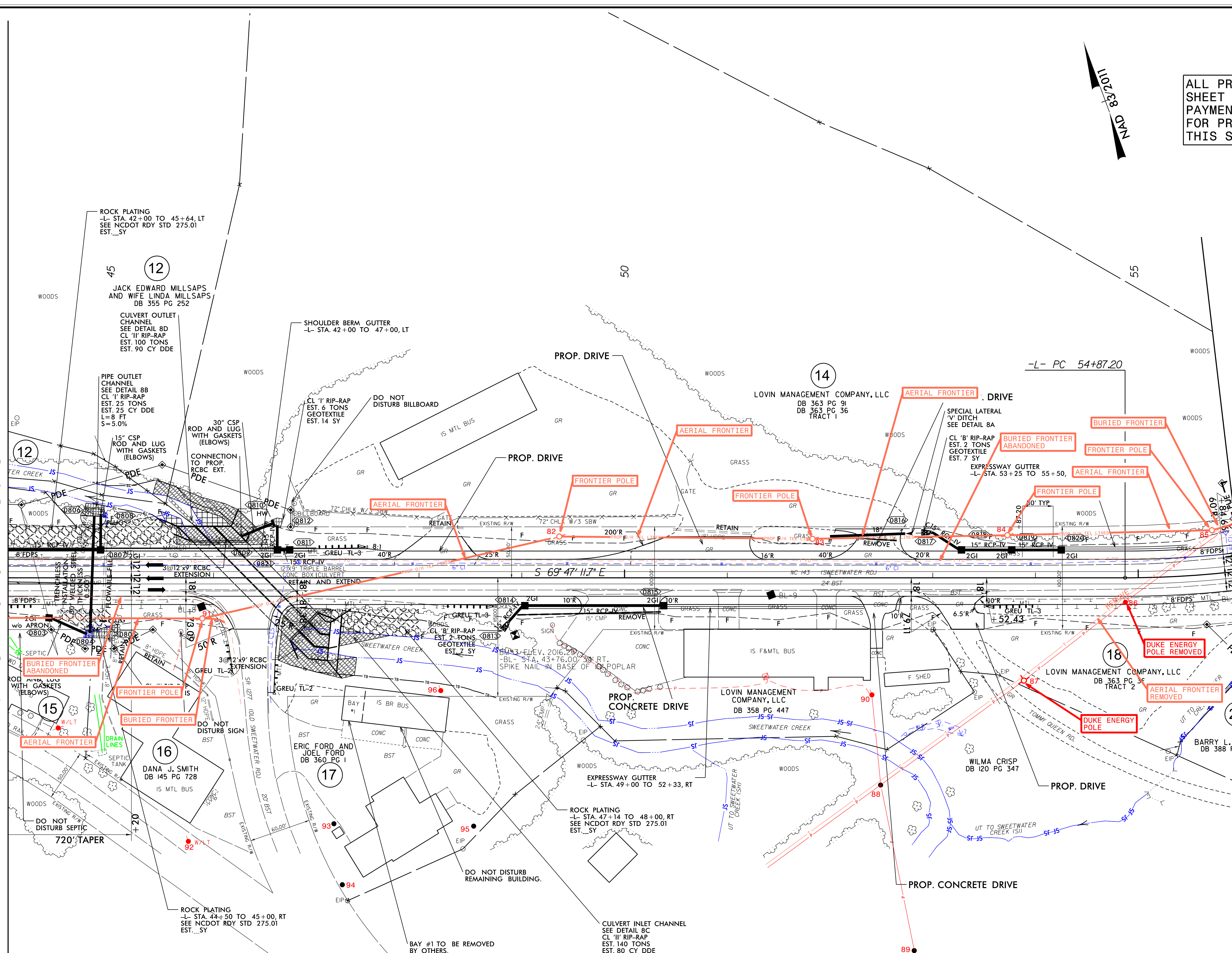
UTILITIES BY OTHERS

ALL PROPOSED UTILITY WORK SHOWN ON THIS SHEET WILL BE DONE BY OTHERS. NO PAYMENT WILL BE MADE TO THE CONTRACTOR FOR PROPOSED UTILITY WORK SHOWN ON THIS SHEET.

5/14/22
27-MAY-2022 15:34
C:\Users\jsh\OneDrive\Documents\Projects\A-0009CA\ut_rdy8_U006_psh.dgn
005C ITGS\Section\A\U006\Utilities\Engineering\UBO\Proj\A-0009CA\ut_rdy8_U006_psh.dgn

MATCH LINE STA -L- 44+00.00
MATCH TO SHEET UO-5

MATCH LINE STA -L- 56+00.00
MATCH TO SHEET UO-7

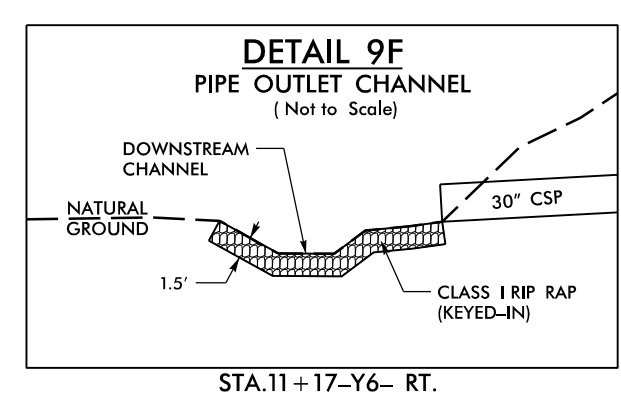
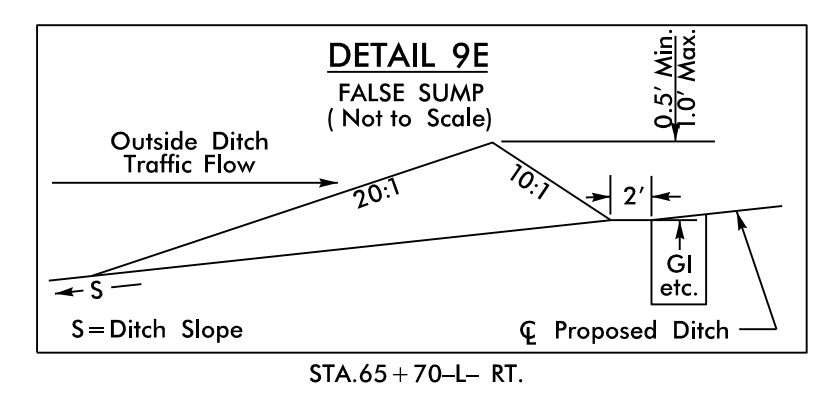
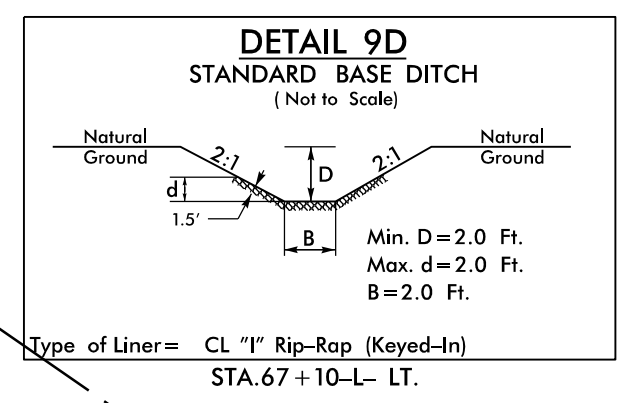
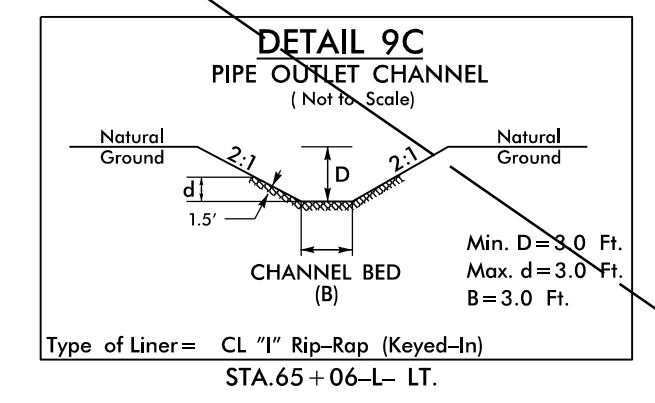
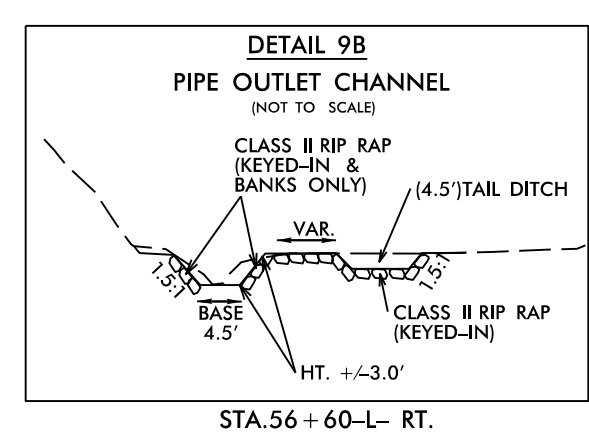
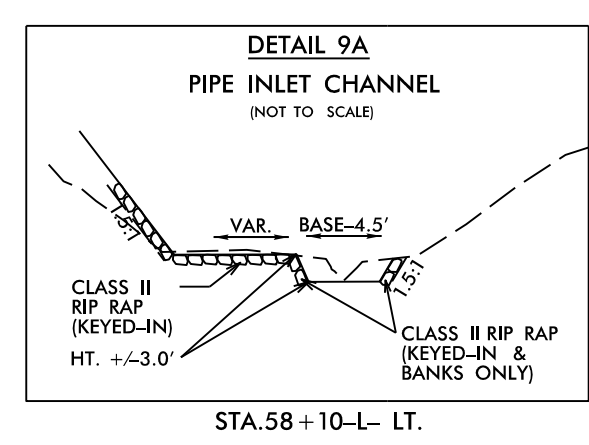
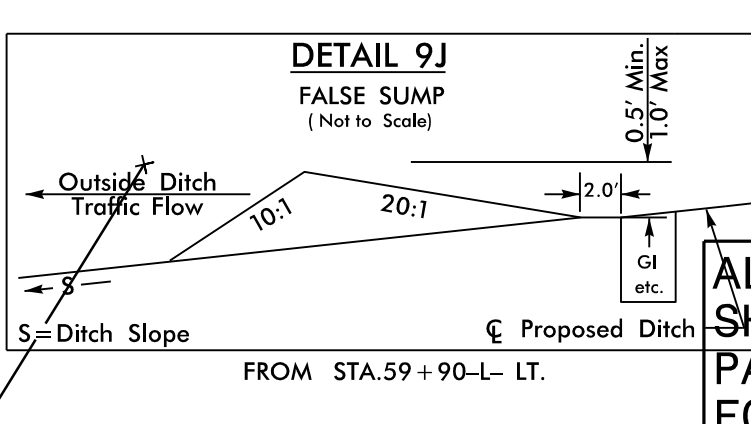
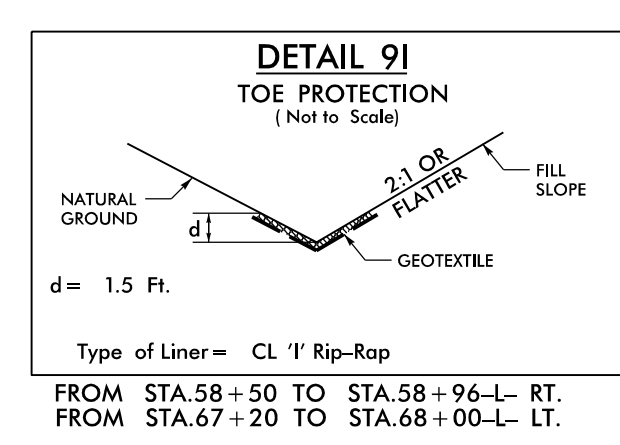
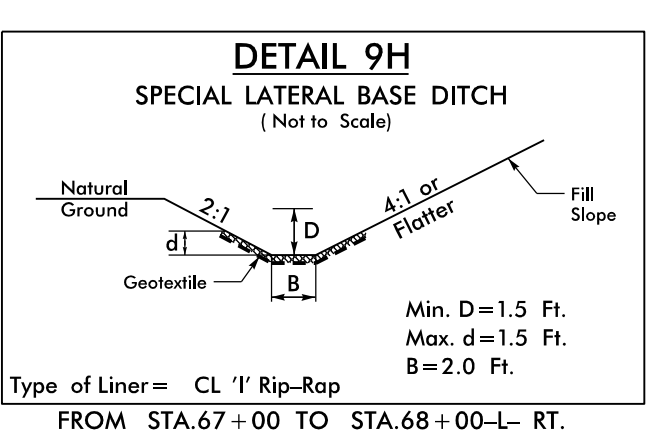
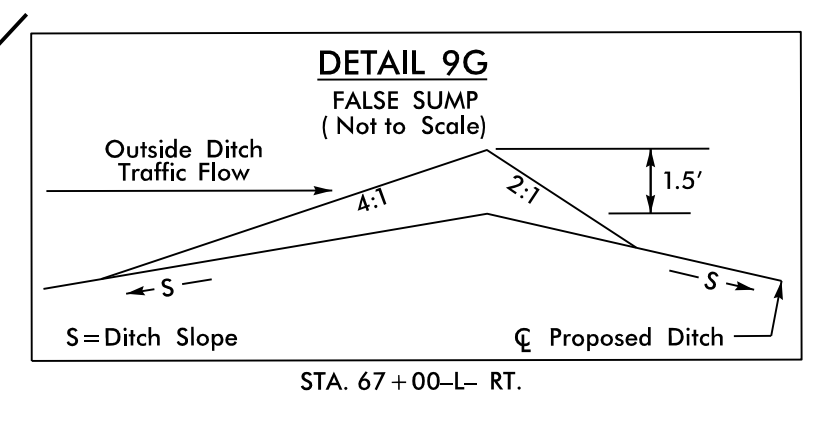
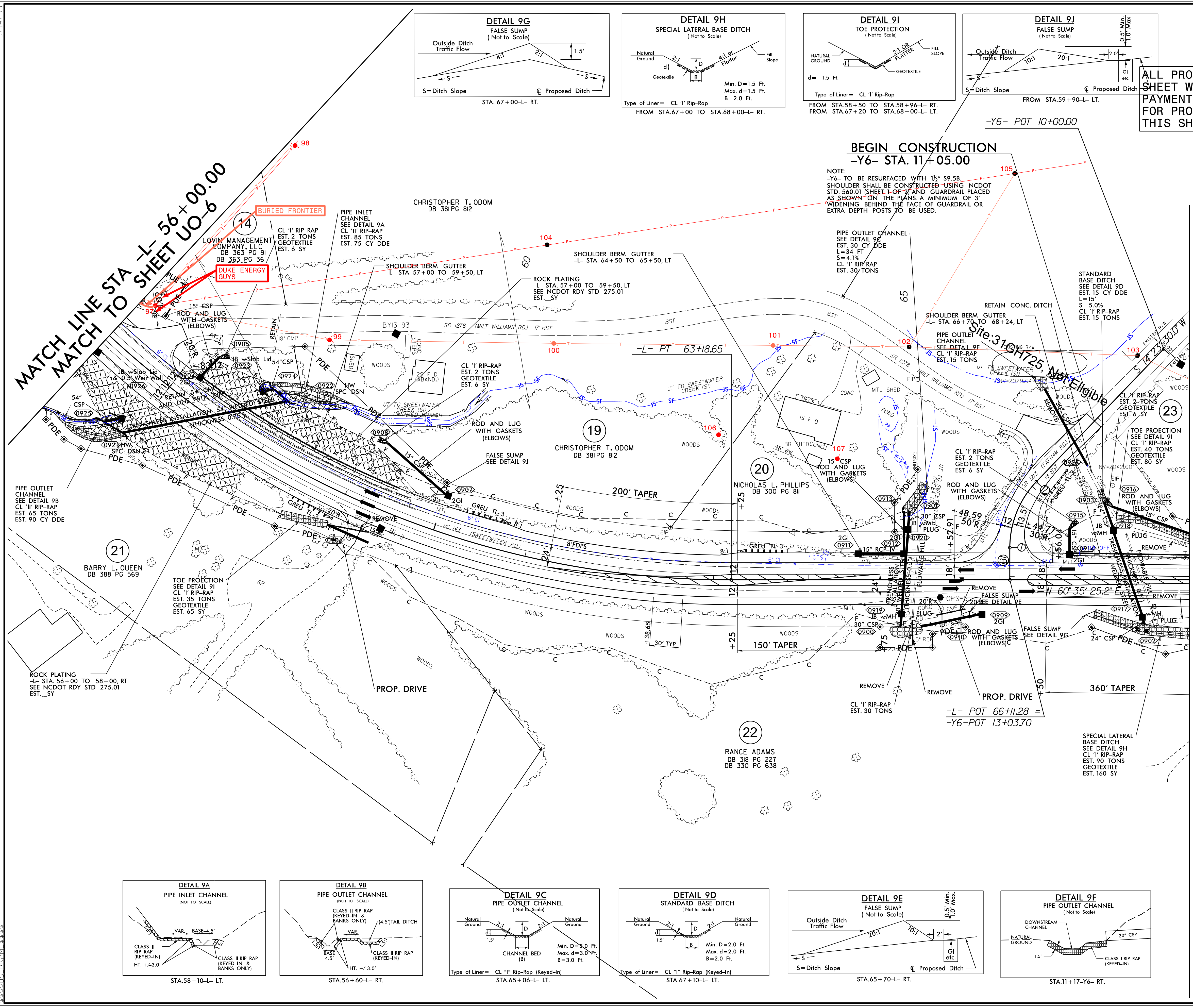
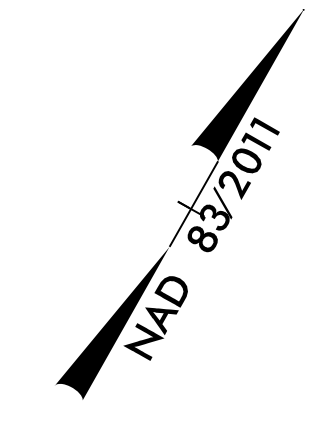


5/14/99
27-MAY-2022 15:37
C:\Users\jramm\OneDrive\Documents\Projects\0009CA\Utilities\Engineering\UB0\ProJA-0009CA\rdy9_U007_esh.dgn
jramm

PROJECT REFERENCE NO.	SHEET NO.
A-0009CA	U0-7
THIS SHEET CORRESPONDS TO RDY-9	

UTILITIES BY OTHERS

ALL PROPOSED UTILITY WORK SHOWN ON THIS SHEET WILL BE DONE BY OTHERS. NO PAYMENT WILL BE MADE TO THE CONTRACTOR FOR PROPOSED UTILITY WORK SHOWN ON THIS SHEET.

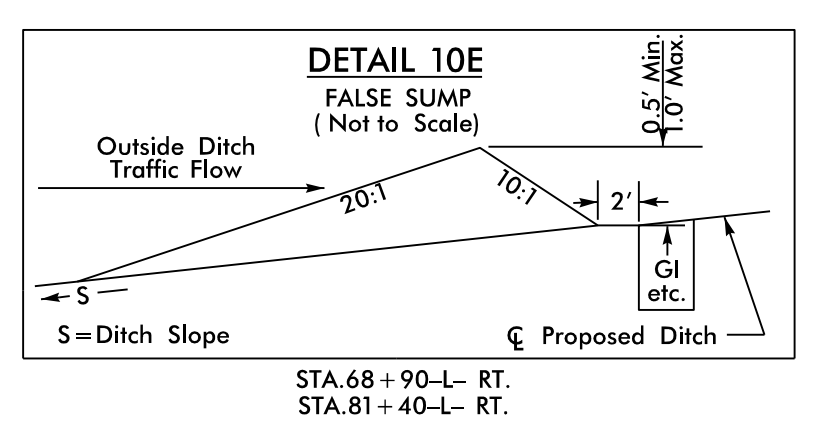
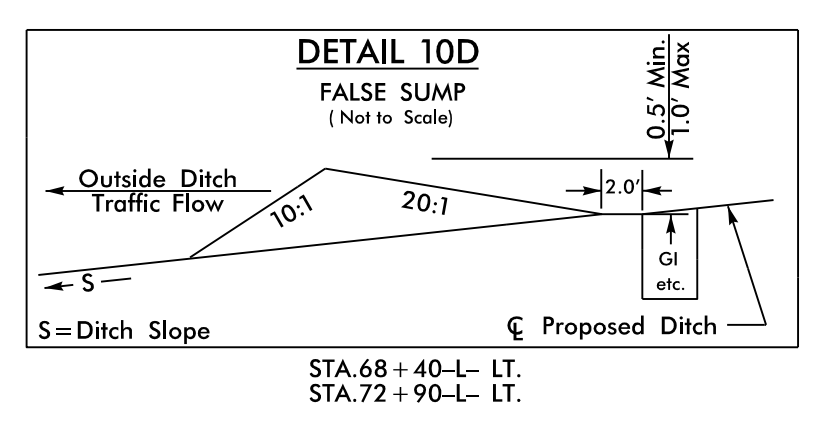
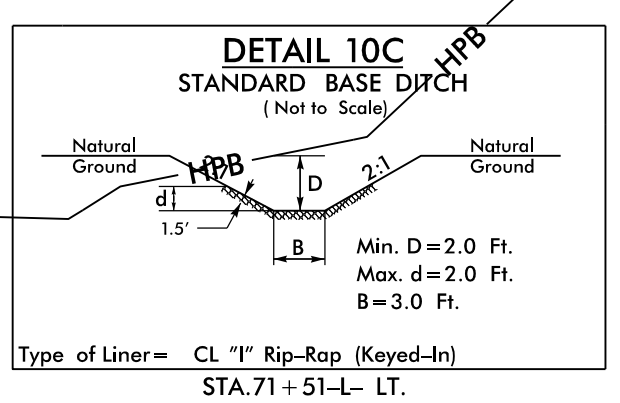
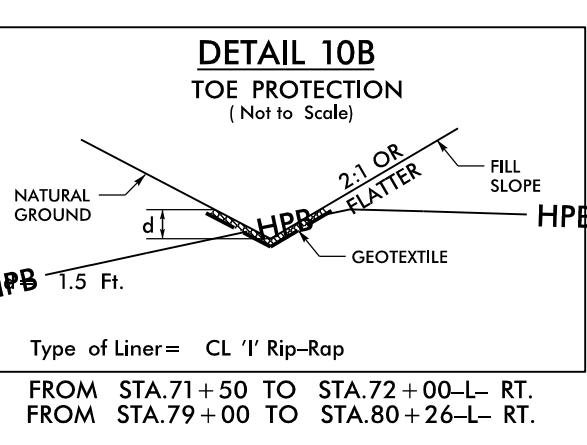
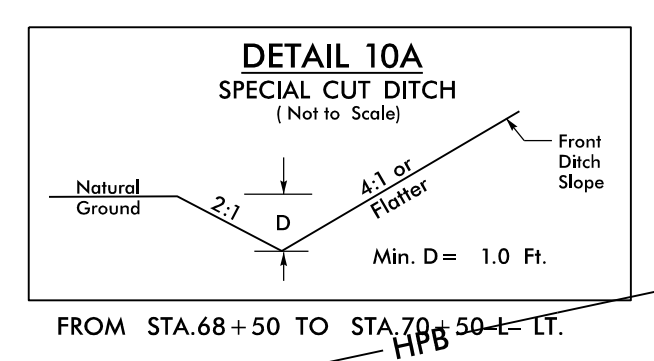


5/14/20

PROJECT REFERENCE NO.	SHEET NO.
A-0009CA	UO-8
THIS SHEET CORRESPONDS TO RDY-10	

UTILITIES BY OTHERS

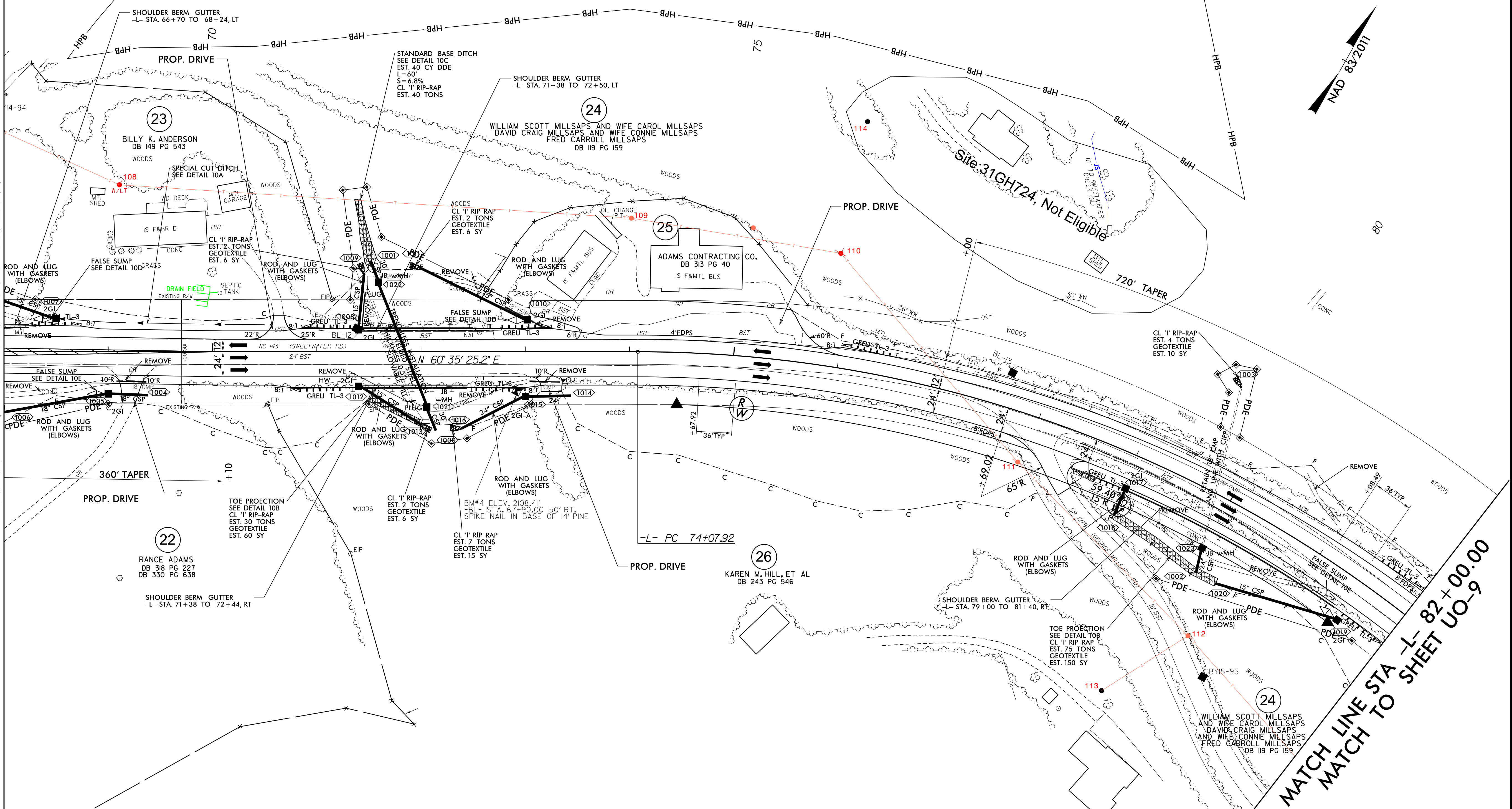
ALL PROPOSED UTILITY WORK SHOWN ON THIS SHEET WILL BE DONE BY OTHERS. NO PAYMENT WILL BE MADE TO THE CONTRACTOR FOR PROPOSED UTILITY WORK SHOWN ON THIS SHEET.



MATCH LINE STA -L- 68+00.00
MATCH TO SHEET UO-7

MATCH LINE STA -L- 82+00.00
MATCH TO SHEET UO-9

27-MAY-2022 15:43
C:\Users\jrandall\Documents\Projects\A-0009CA-ut_rdy\UO-8\UO-8.dgn



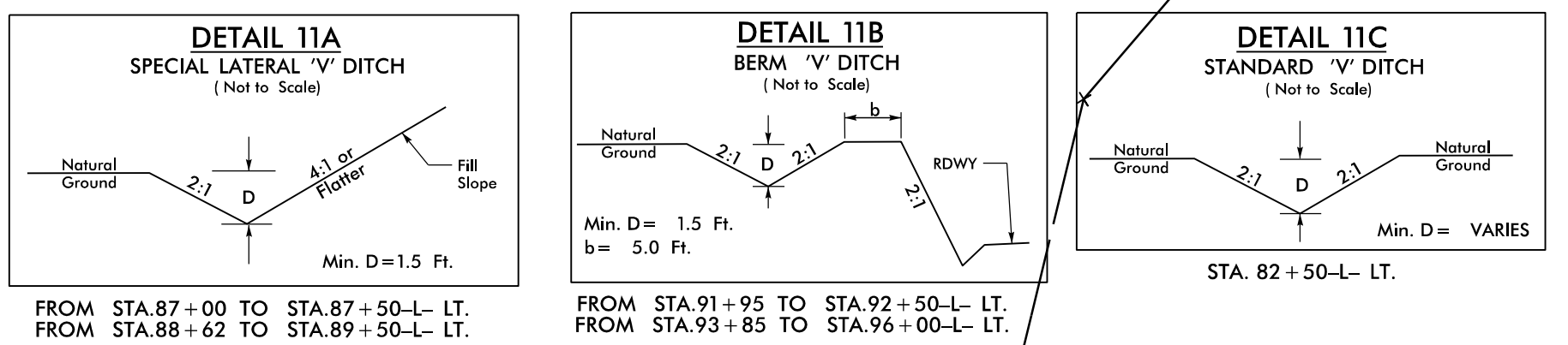
5/14/2011
27-MAY-2022 15:46
C:\GIS\Section\A\UBO\Utilities\Engineering\UBO\Proj\A-0009CA\ut_rdy\11_U009_pah.dgn
USER:RNAM

PROJECT REFERENCE NO.	SHEET NO.
A-0009CA	U0-9
THIS SHEET CORRESPONDS TO RDY-11	

UTILITIES BY OTHERS

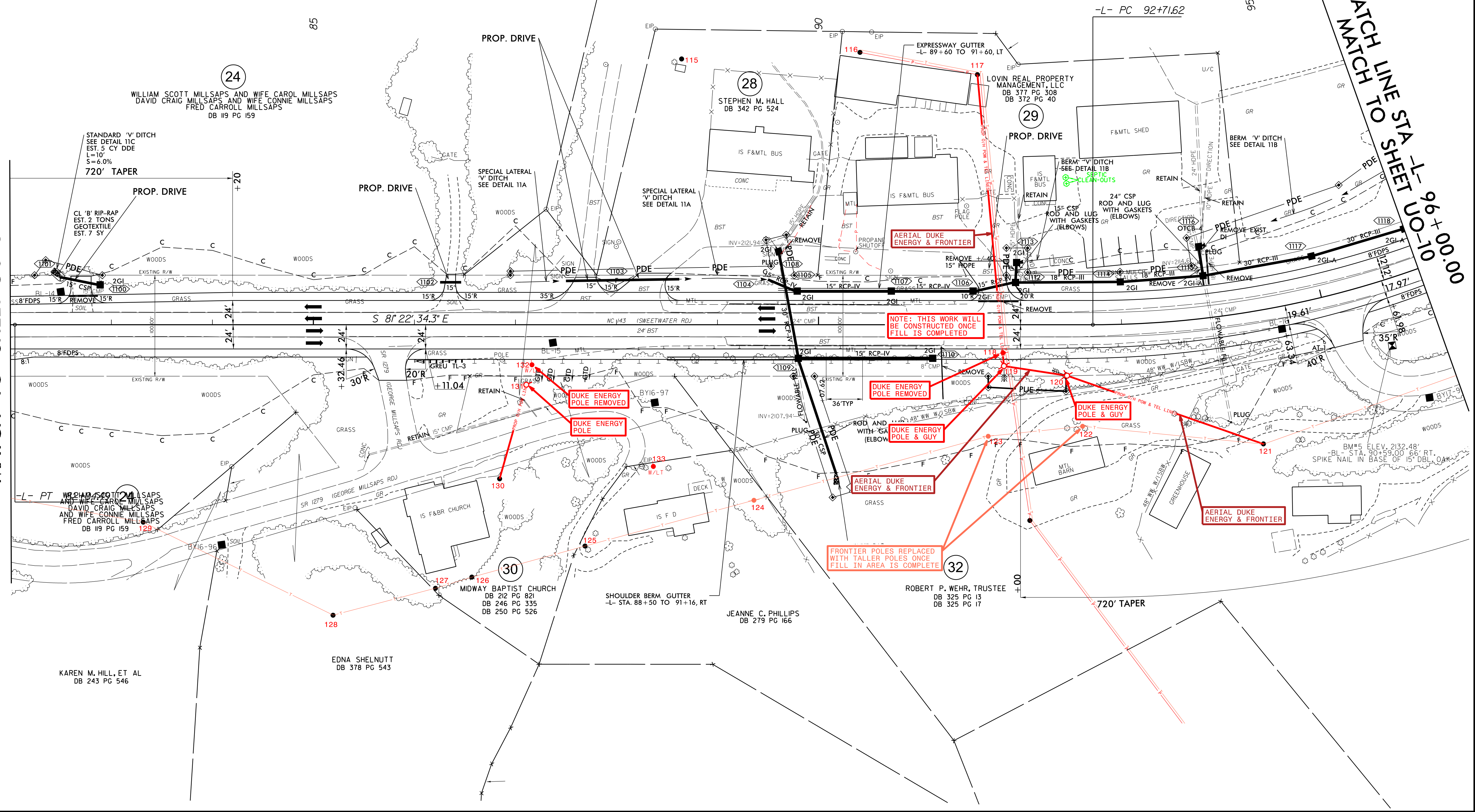
ALL PROPOSED UTILITY WORK SHOWN ON THIS SHEET WILL BE DONE BY OTHERS. NO PAYMENT WILL BE MADE TO THE CONTRACTOR FOR PROPOSED UTILITY WORK SHOWN ON THIS SHEET.

NAD 83/2011



MATCH LINE STA -L- 82+00.00
MATCH TO SHEET UO-8

MATCH LINE TO SHEET -L- UO-10
STA 96+00.00



5/14/2022 15:50
27-MAY-2022 15:50
C:\Users\psh.dgn\Documents\Projects\Utilities\Engineering\UB0\Pro\A-A-0009CA\ut_rdlj2_LU0010_psh.dgn
P:\Projects\Utilities\Engineering\UB0\Pro\A-A-0009CA\ut_rdlj2_LU0010_psh.dgn

PROJECT REFERENCE NO.	SHEET NO.
A-0009CA	UO-10
THIS SHEET CORRESPONDS TO R0Y-12	

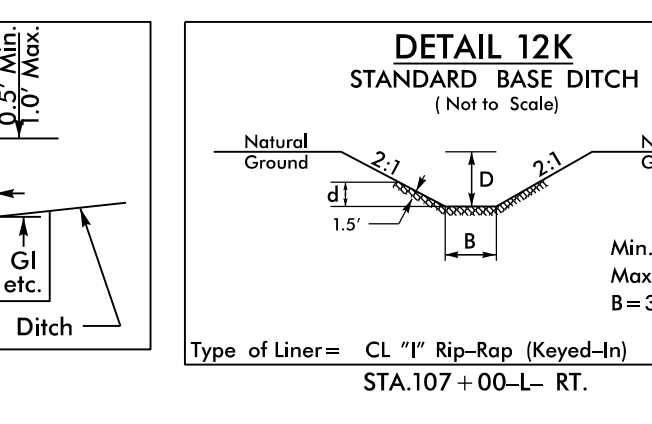
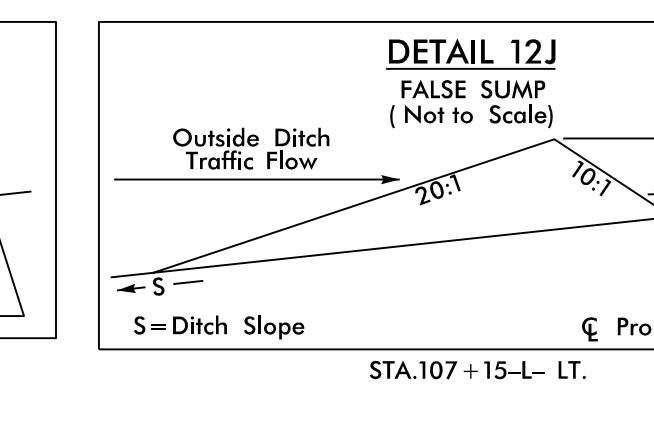
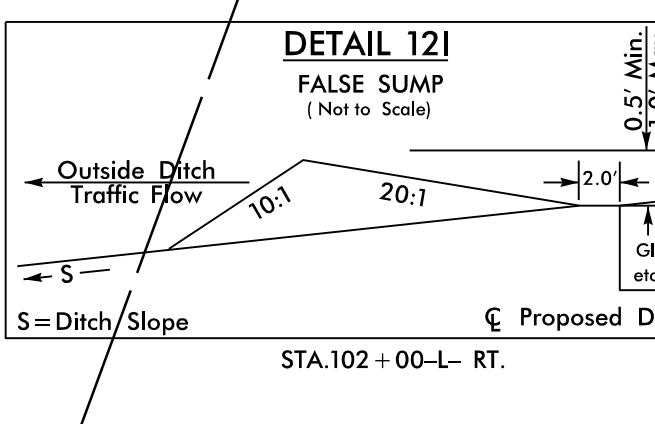
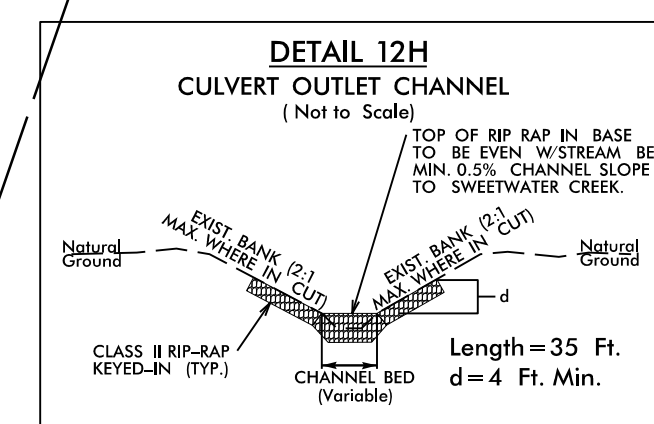
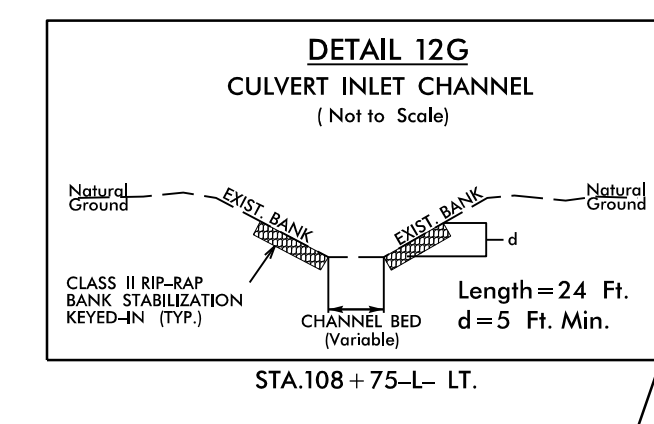
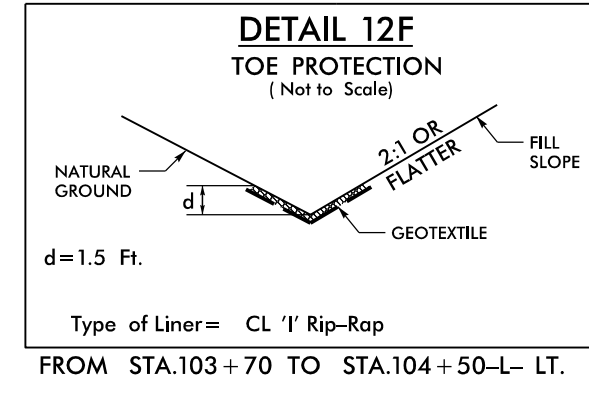
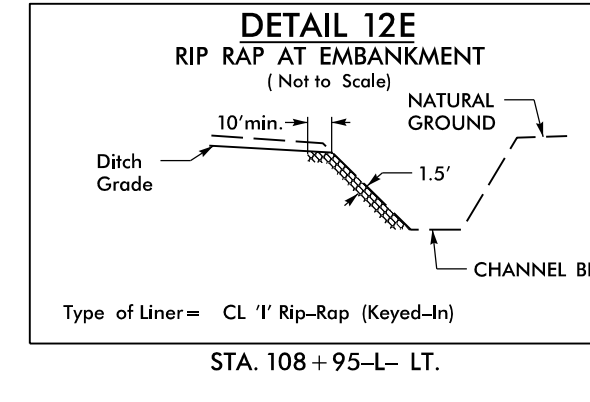
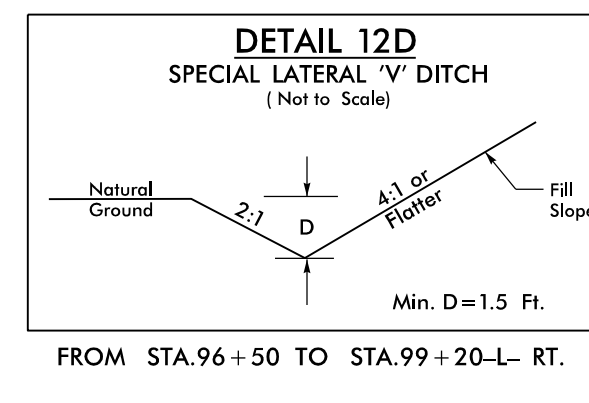
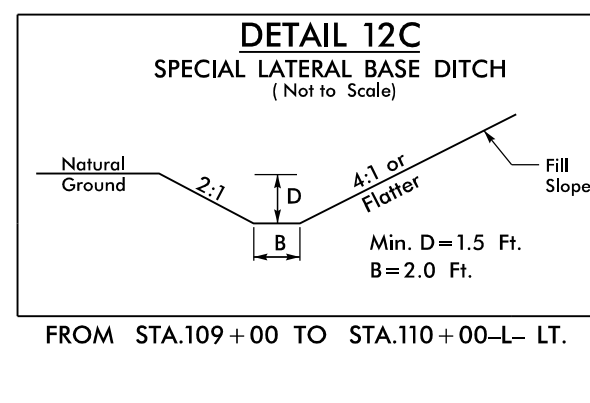
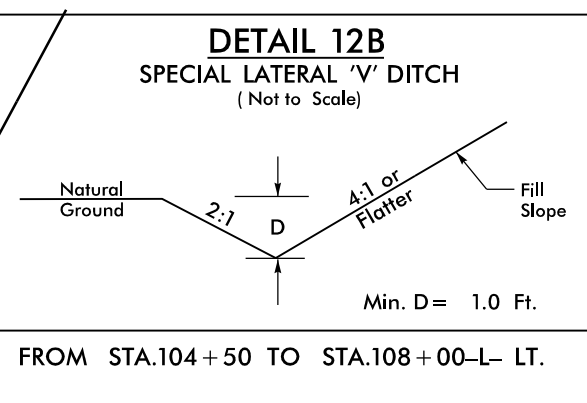
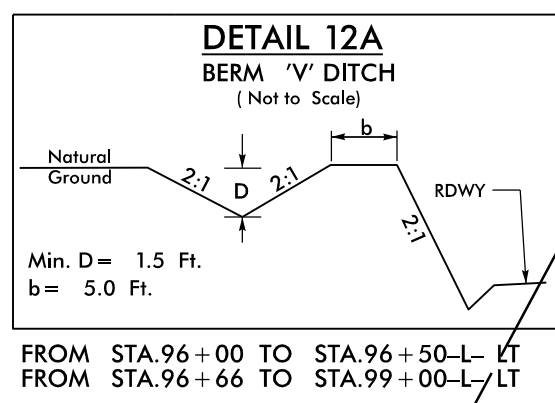
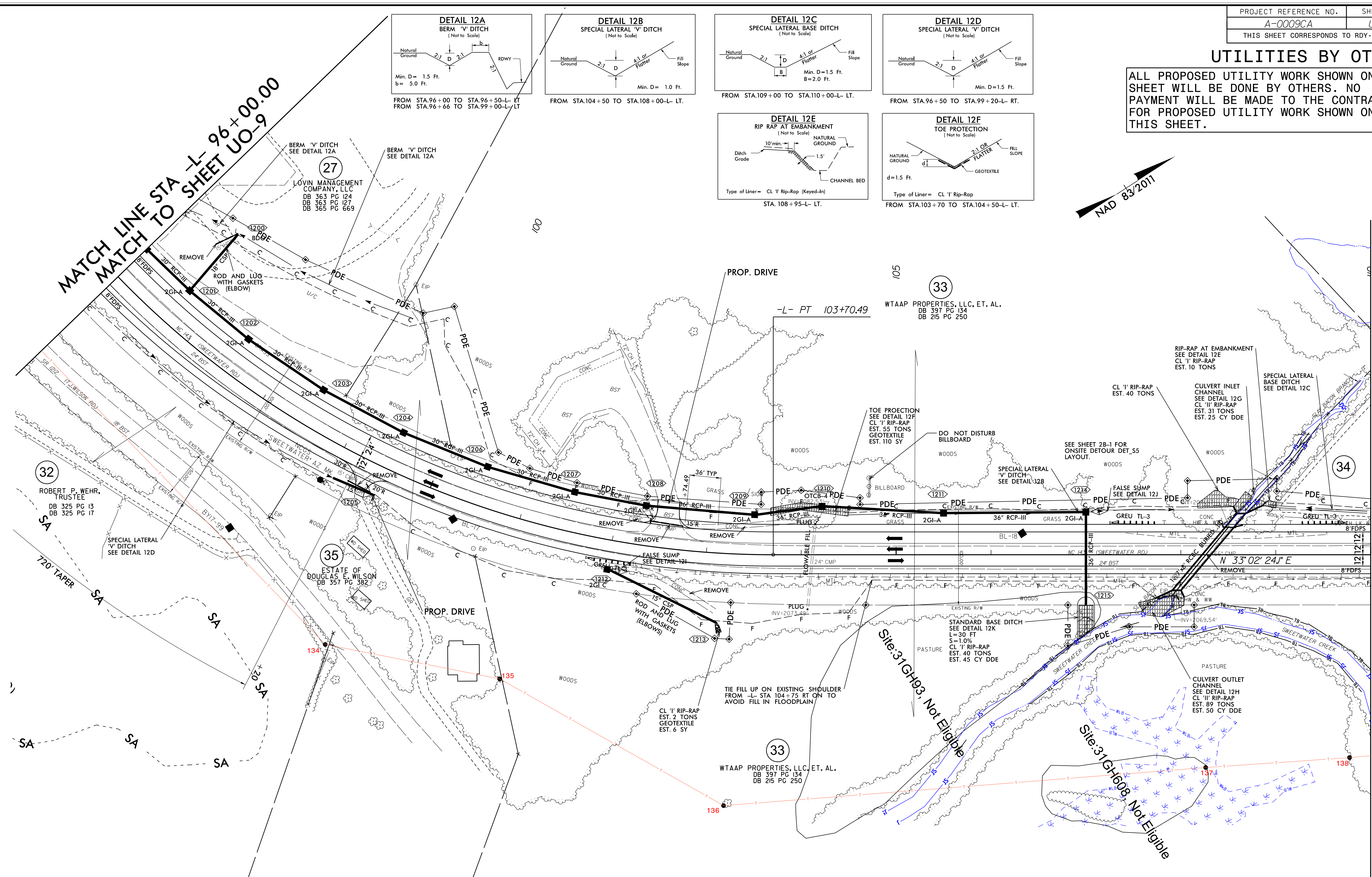
UTILITIES BY OTHERS

ALL PROPOSED UTILITY WORK SHOWN ON THIS SHEET WILL BE DONE BY OTHERS. NO PAYMENT WILL BE MADE TO THE CONTRACTOR FOR PROPOSED UTILITY WORK SHOWN ON THIS SHEET.



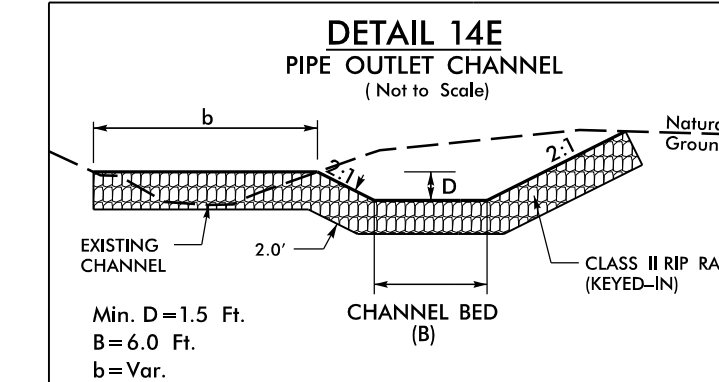
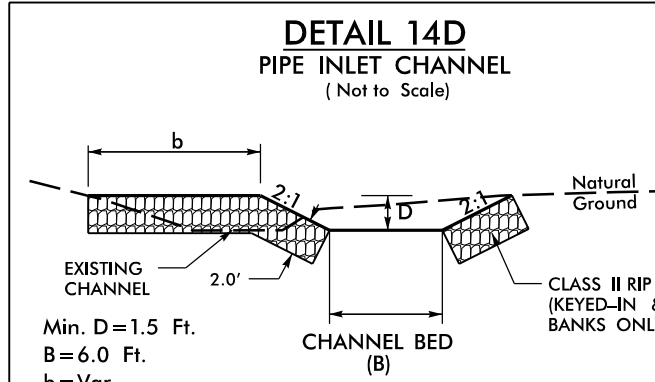
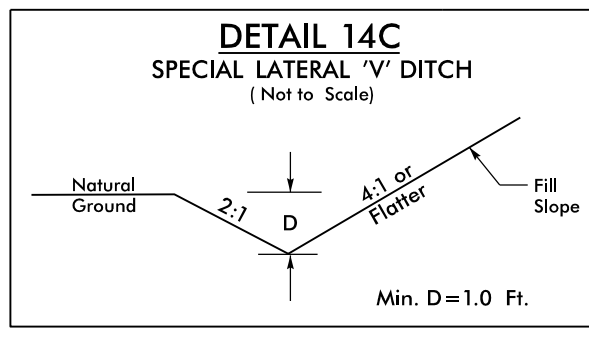
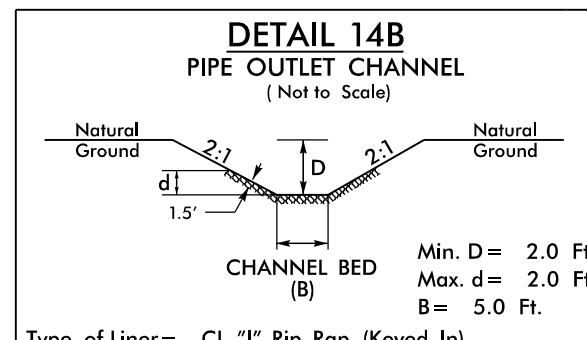
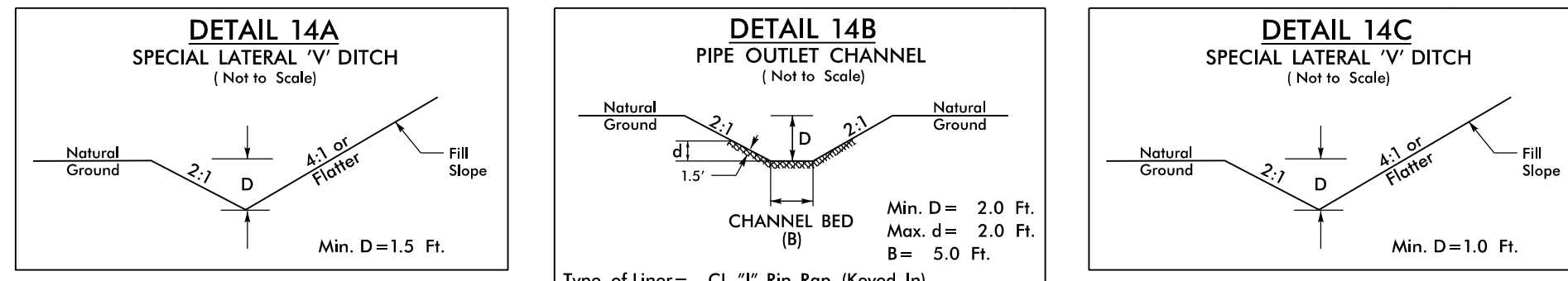
MATCH LINE STA -L- 96+00.00
MATCH TO SHEET UO-9

MATCH LINE STA -L- 110+00.00
MATCH TO SHEET UO-11



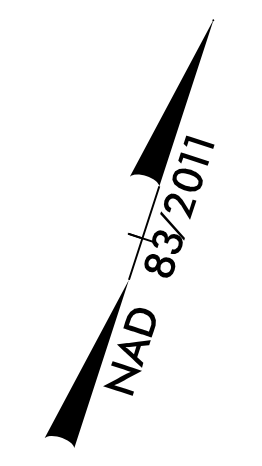
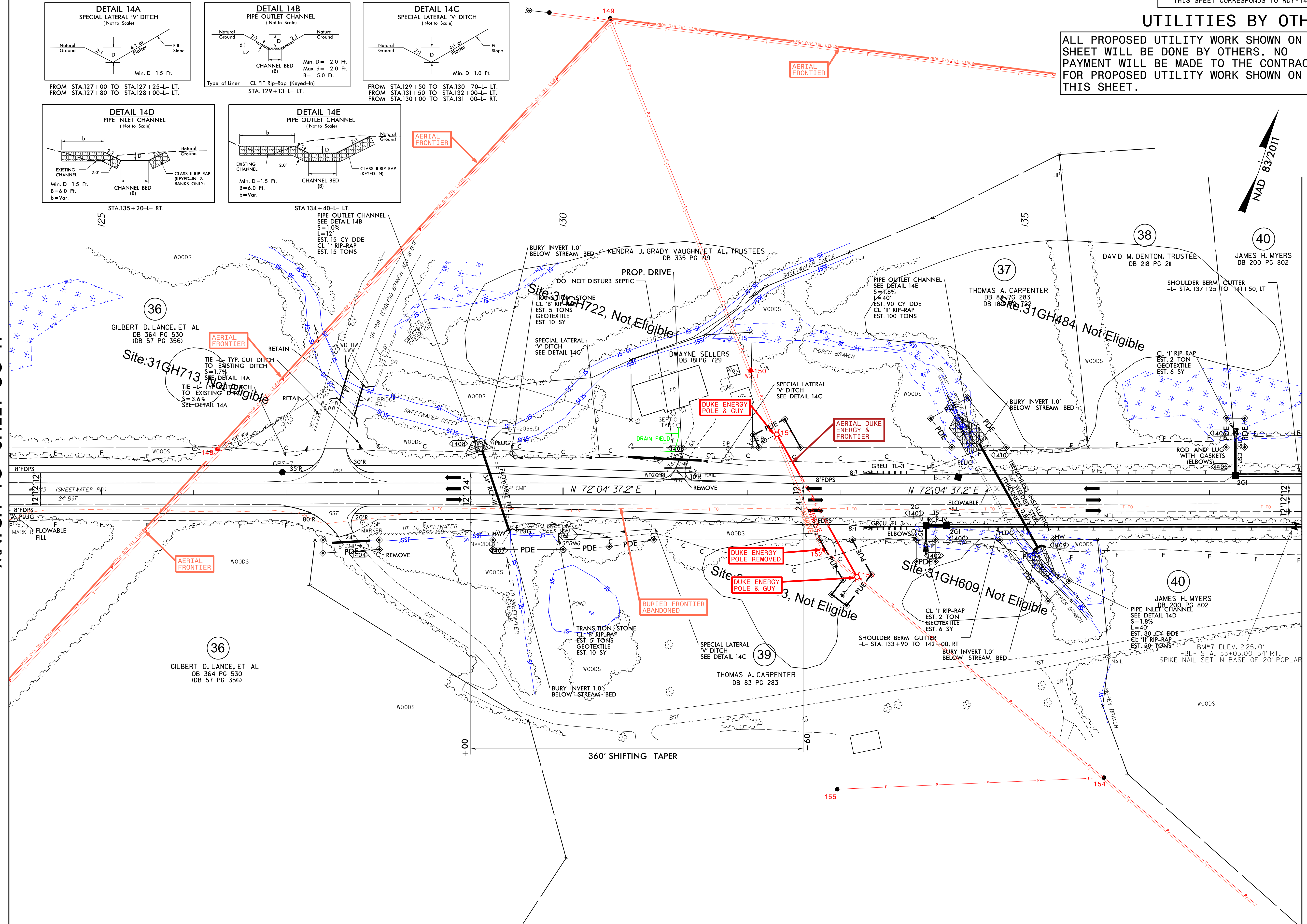
UTILITIES BY OTHERS

ALL PROPOSED UTILITY WORK SHOWN ON THIS SHEET WILL BE DONE BY OTHERS. NO PAYMENT WILL BE MADE TO THE CONTRACTOR FOR PROPOSED UTILITY WORK SHOWN ON THIS SHEET.



MATCH LINE STA -L- 124+00.00
MATCH TO SHEET UO-11

MATCH LINE STA -L- 138+00.00
MATCH TO SHEET UO-13

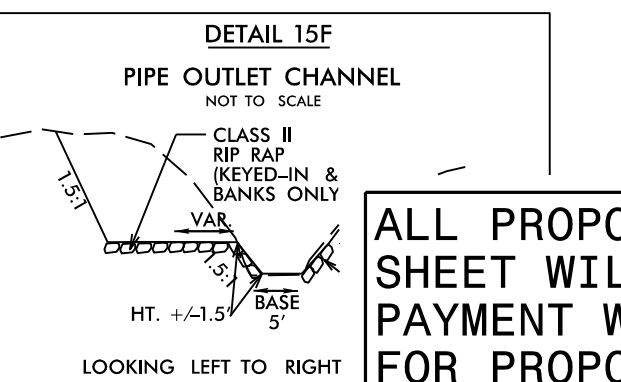
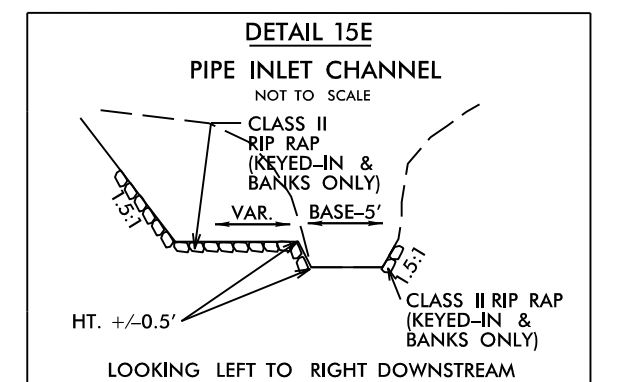
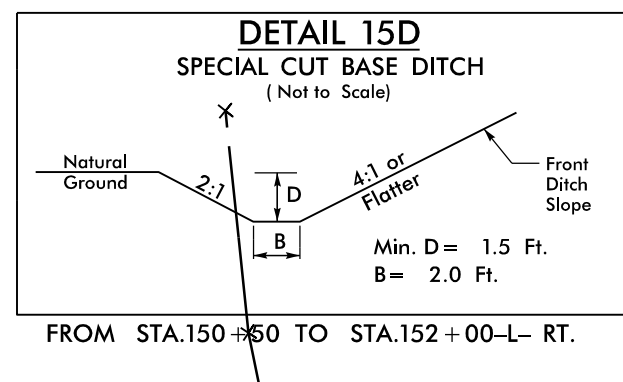
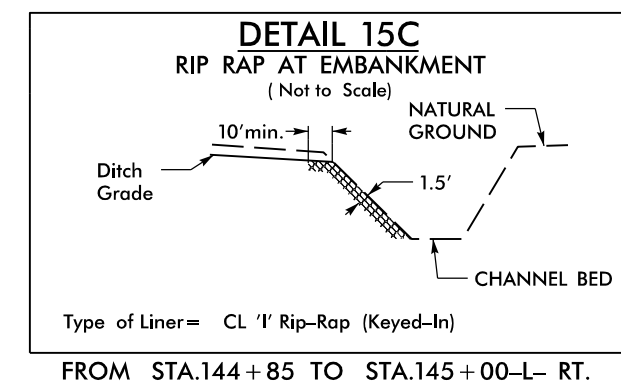
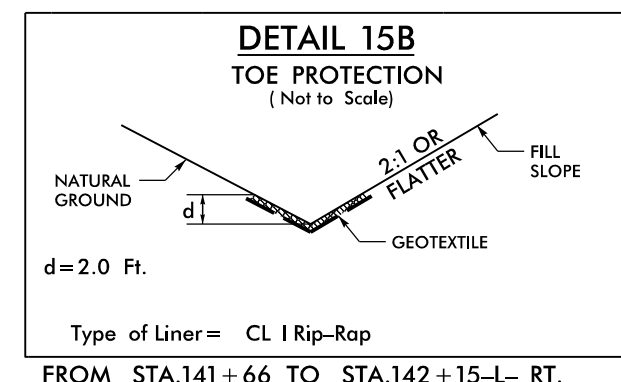
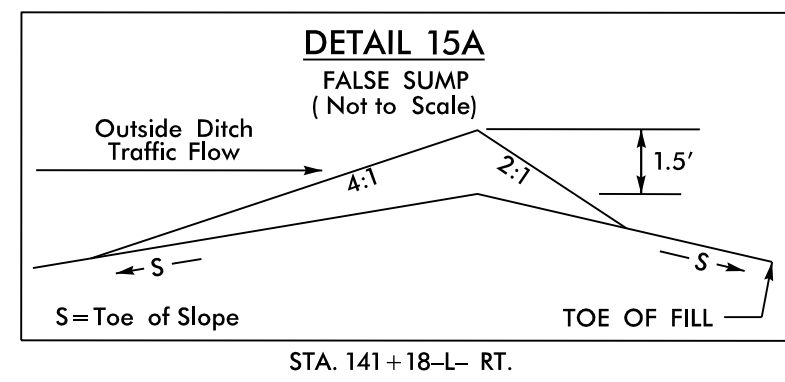


5/14/2022
 10:56
 (TGS) 27-MAY-2022 10:56
 C:\Users\jgibson\OneDrive\Documents\Projects\A-0009CA\ut_rdy14_U0012_psh.dgn
 833871231.dwg
 833871231.dwg

UTILITIES BY OTHERS

ALL PROPOSED UTILITY WORK SHOWN ON THIS SHEET WILL BE DONE BY OTHERS. NO PAYMENT WILL BE MADE TO THE CONTRACTOR FOR PROPOSED UTILITY WORK SHOWN ON THIS SHEET.

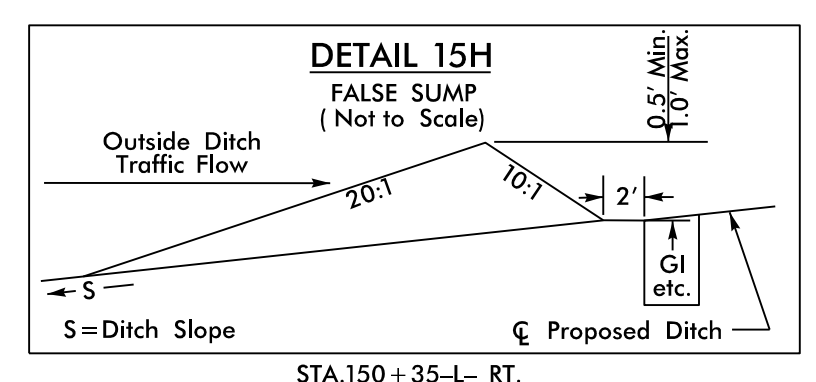
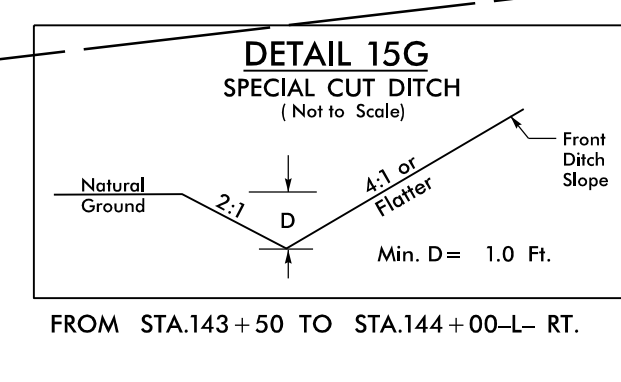
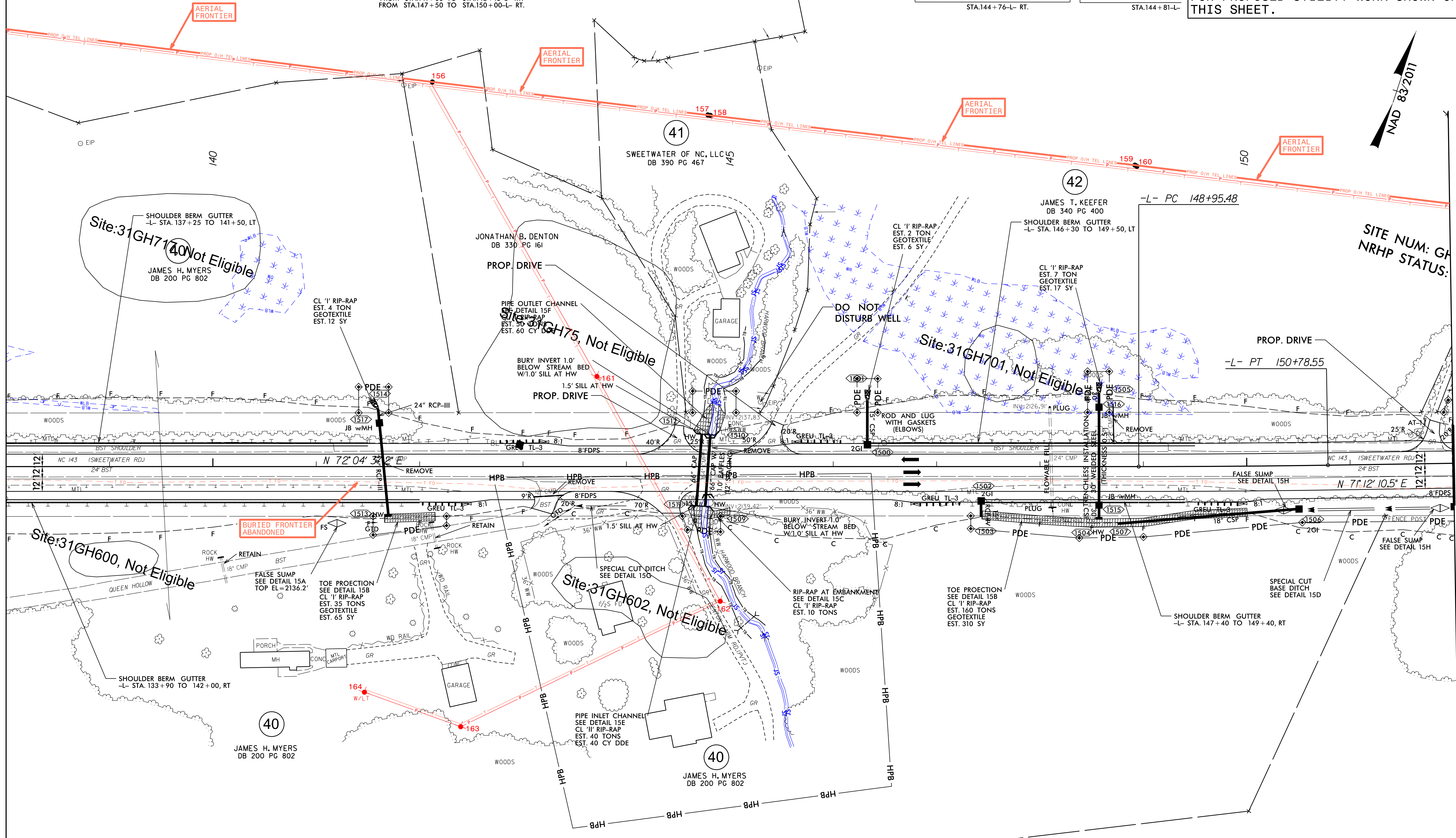
5/14/19



MATCH LINE STA -L- 138+00.00
MATCH TO SHEET UO-12

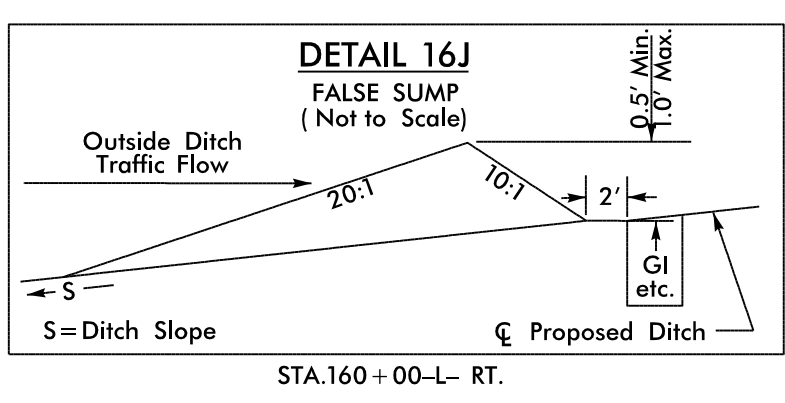
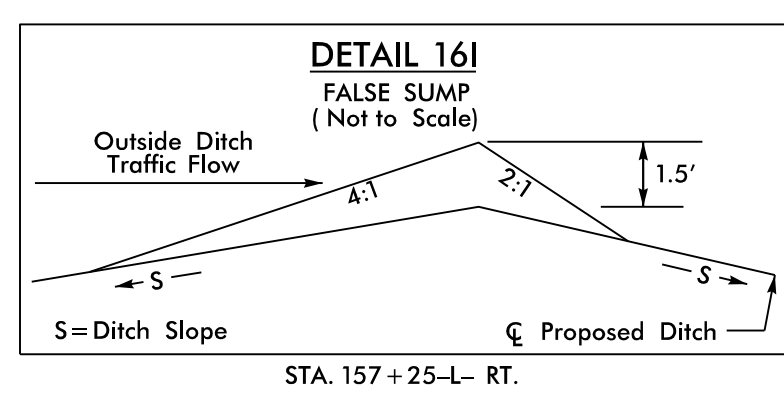
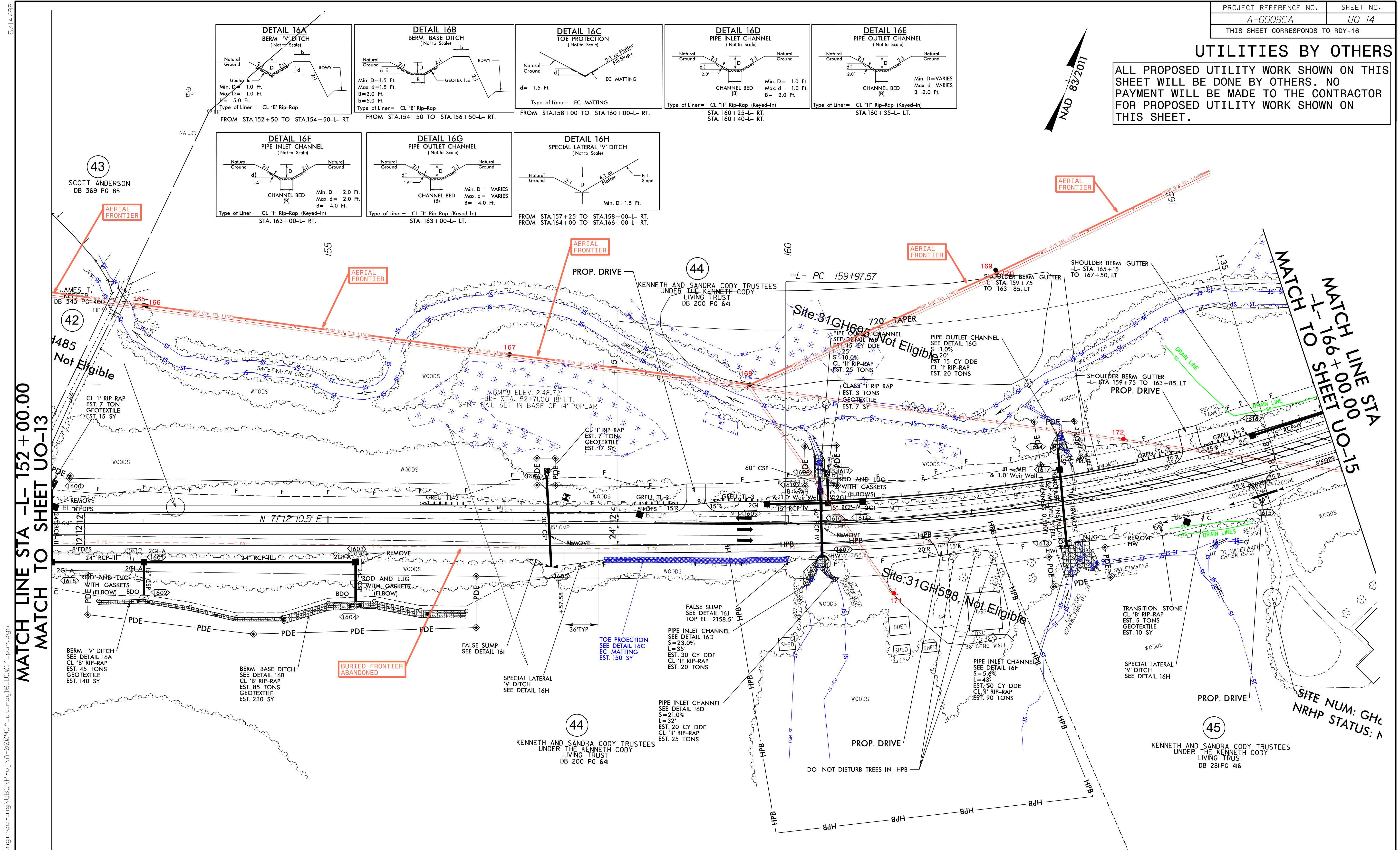
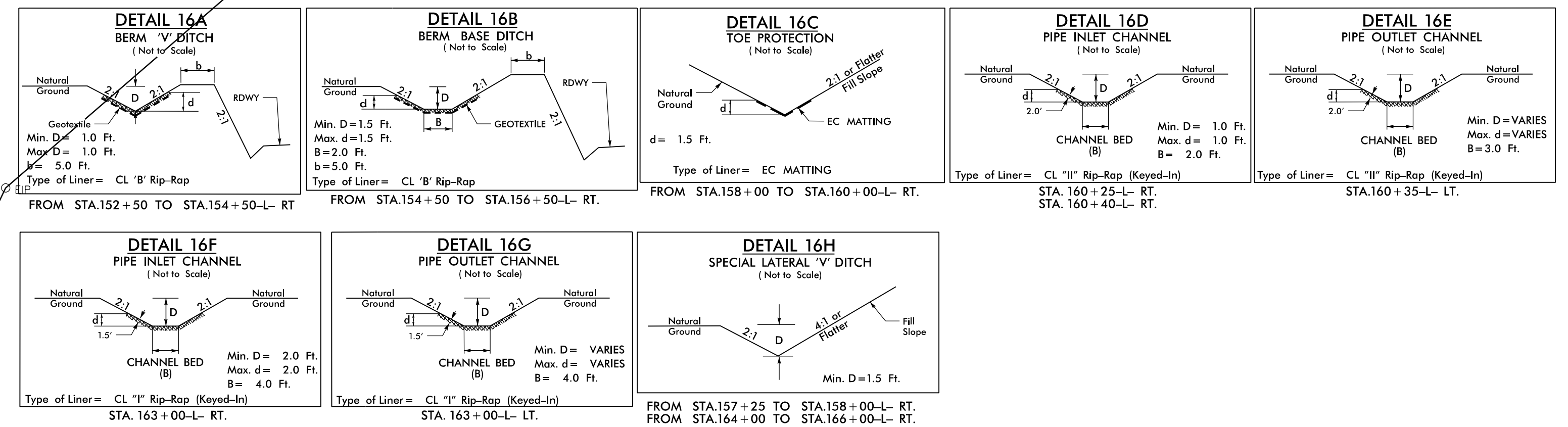
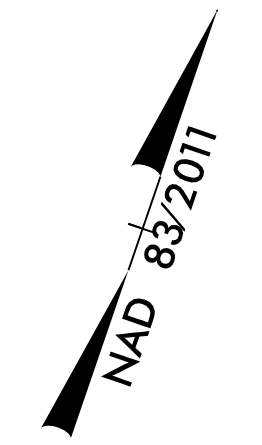
MATCH LINE STA -L- 152+00.00
MATCH TO SHEET UO-14

27-MAY-2022 16:03
C:\Users\pshh\OneDrive\Documents\Projects\A-0009CA\ut_rduj15_U0013.pshh.dgn



UTILITIES BY OTHERS

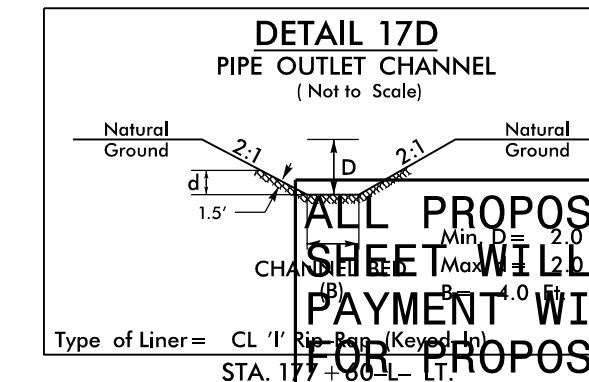
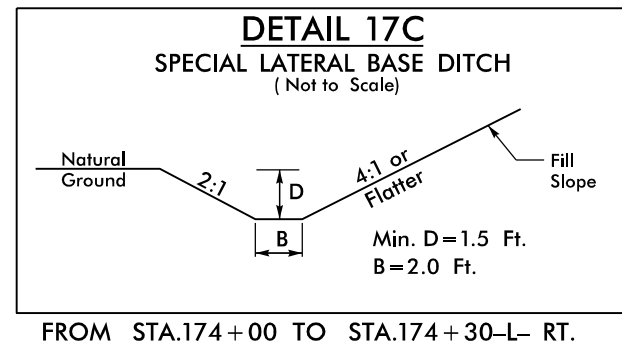
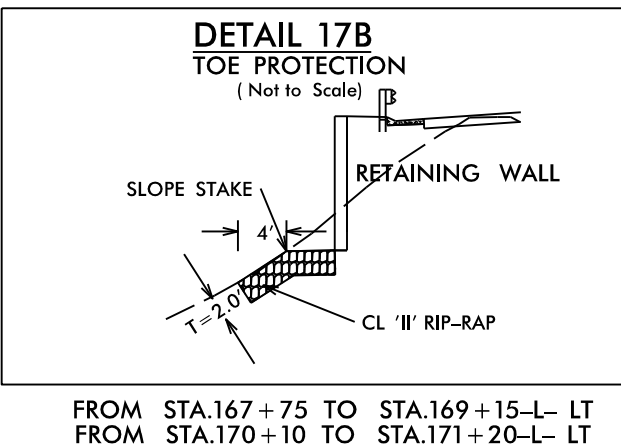
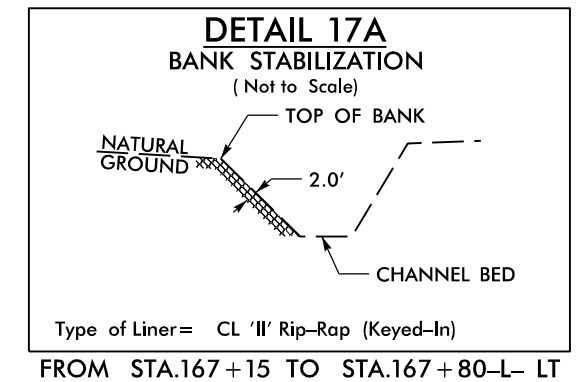
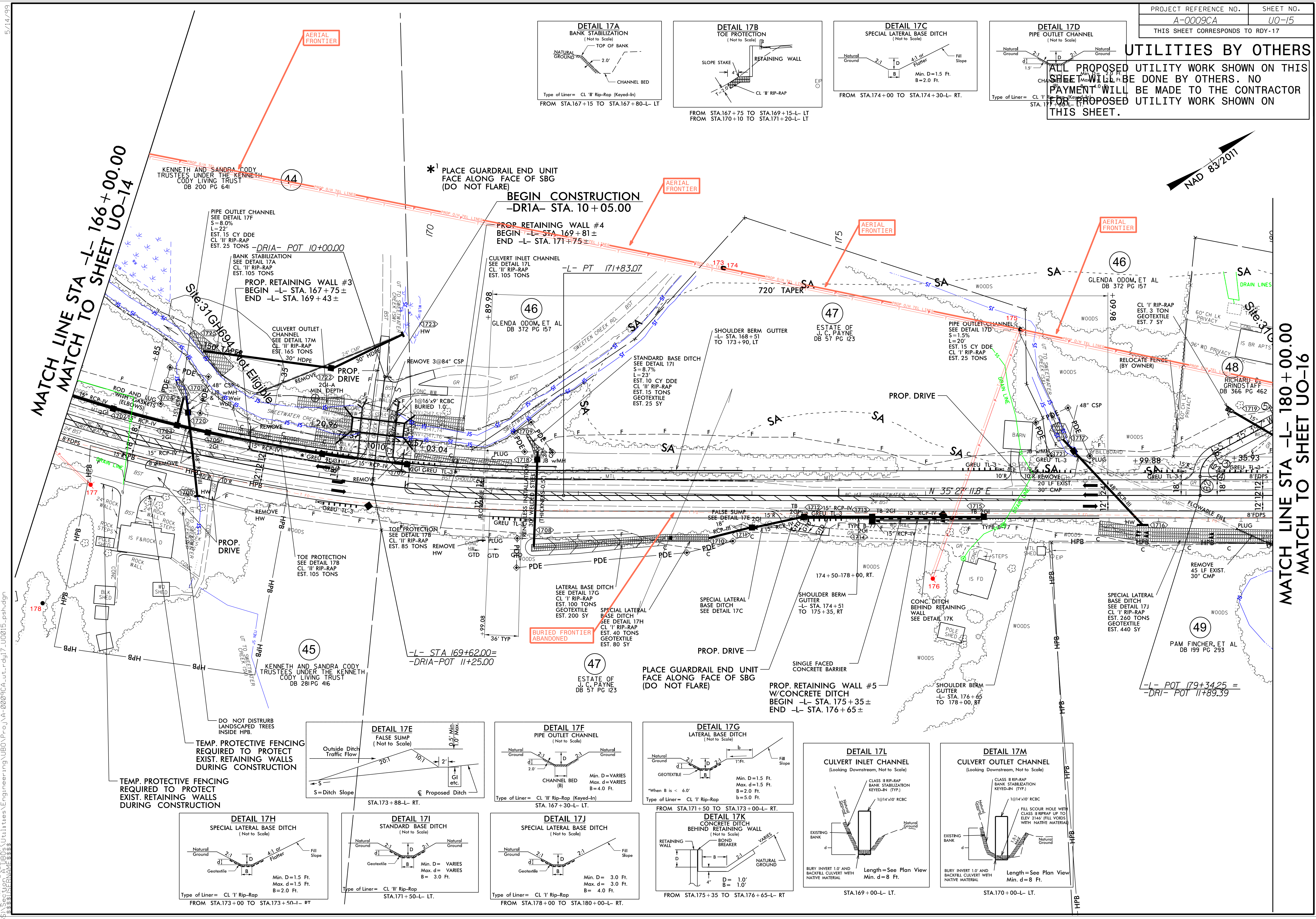
ALL PROPOSED UTILITY WORK SHOWN ON THIS SHEET WILL BE DONE BY OTHERS. NO PAYMENT WILL BE MADE TO THE CONTRACTOR FOR PROPOSED UTILITY WORK SHOWN ON THIS SHEET.



5/14/1999
 27-MAY-2022 16:07 Utilities\Engineer\ng\UB0\Project\A-0009CA\rdy\16_U0014_psh.dgn
 1099C (16)

UTILITIES BY OTHERS

ALL PROPOSED UTILITY WORK SHOWN ON THIS SHEET WILL BE DONE BY OTHERS. NO PAYMENT WILL BE MADE TO THE CONTRACTOR FOR PROPOSED UTILITY WORK SHOWN ON THIS SHEET.



MATCH LINE STA -L- 166+00.00
MATCH TO SHEET UO-14

MATCH LINE STA -L- 180+00.00
MATCH TO SHEET UO-16

*1 PLACE GUARDRAIL END UNIT
FACE ALONG FACE OF SBG
(DO NOT FLARE)

BEGIN CONSTRUCTION
-DRIA- STA. 10+05.00

PROP. RETAINING WALL #4
BEGIN -L- STA. 169+81±
END -L- STA. 171+75±

PIPE OUTLET CHANNEL
SEE DETAIL 17F
S=8.0%
L=22'
EST. 15 CY DDE
CL '1' RIP-RAP
EST. 25 TONS

BANK STABILIZATION
SEE DETAIL 17A
CL '1' RIP-RAP
EST. 105 TONS

PROP. RETAINING WALL #3
BEGIN -L- STA. 167+75±
END -L- STA. 169+43±

CULVERT INLET CHANNEL
SEE DETAIL 17L
CL '1' RIP-RAP
EST. 105 TONS

GLENDA ODOM, ET AL
DB 372 PG 157

STANDARD BASE DITCH
SEE DETAIL 17I
S=8.7%
L=23'
EST. 10 CY DDE
CL '1' RIP-RAP
EST. 15 TONS
GEOTEXTILE
EST. 25 SY

ESTATE OF
J. C. PAYNE
DB 57 PG 123

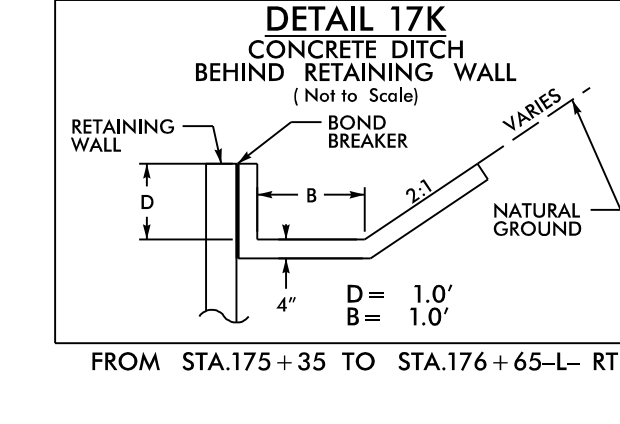
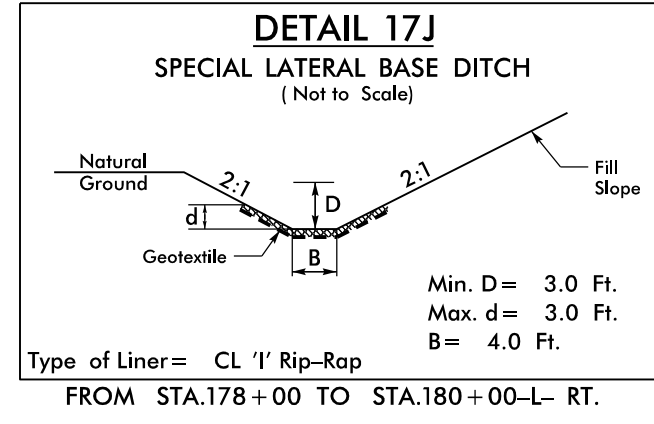
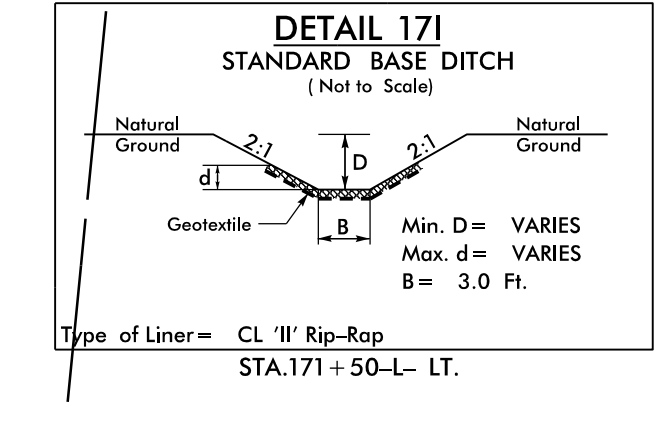
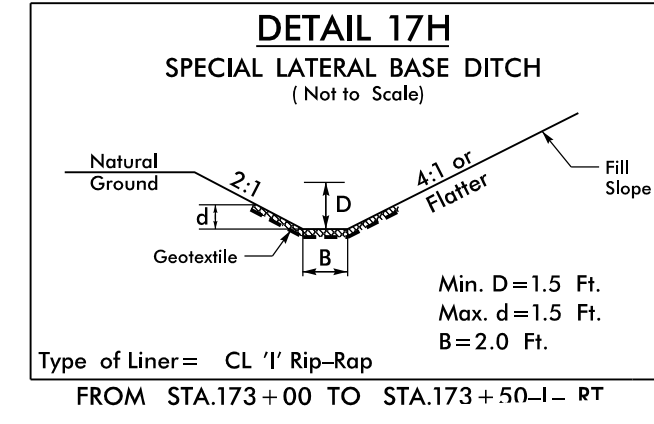
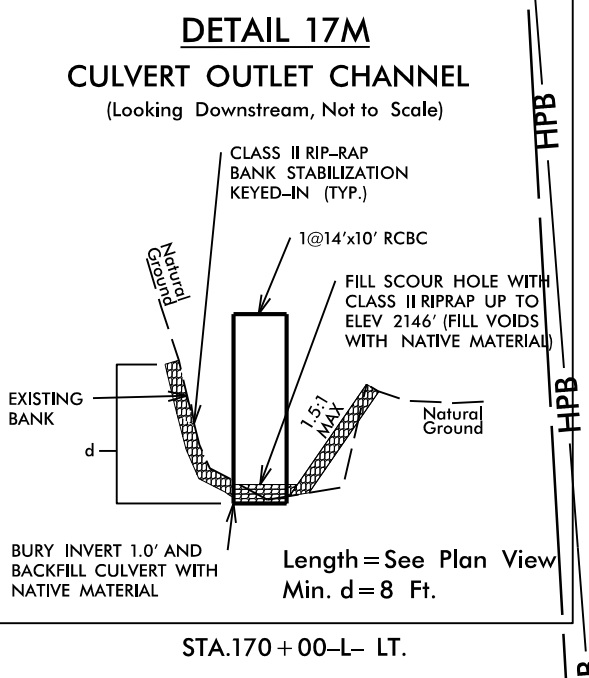
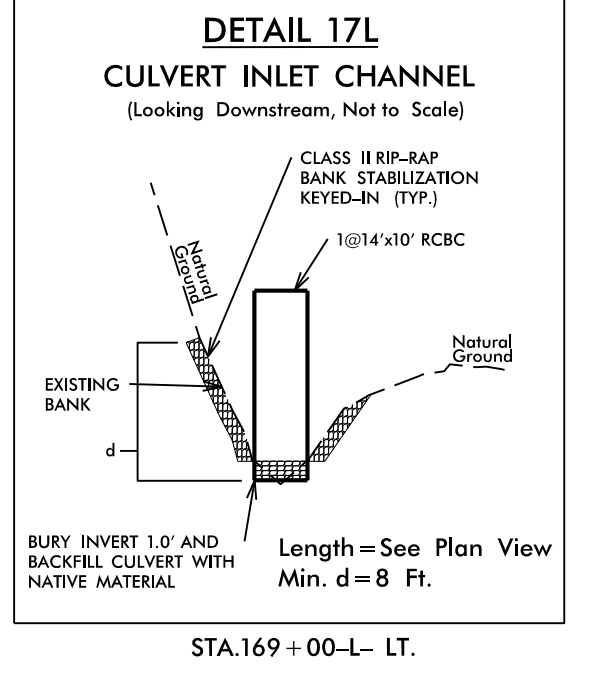
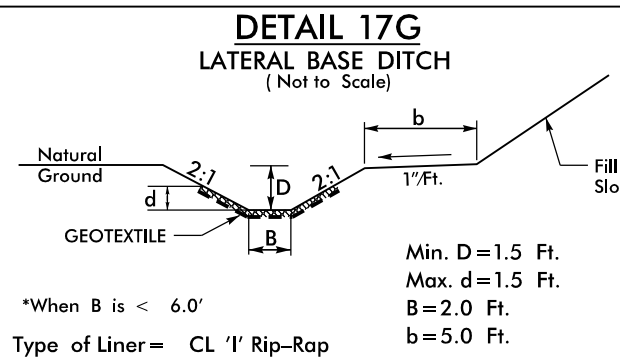
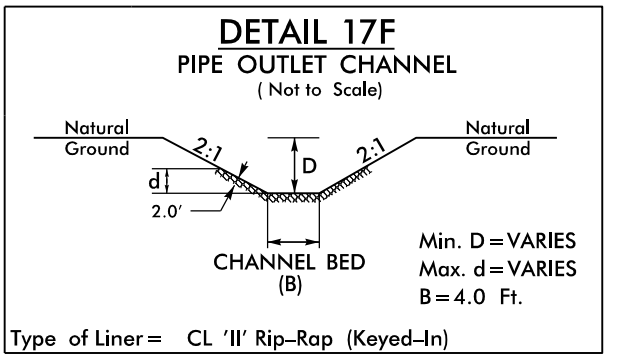
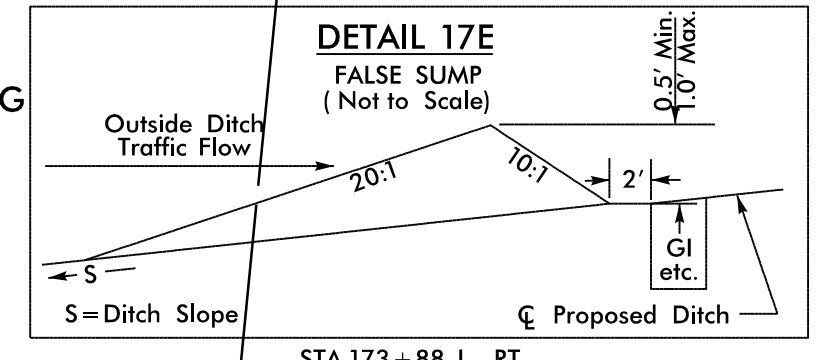
PIPE OUTLET CHANNEL
SEE DETAIL 17D
S=1.5%
L=20'
EST. 15 CY DDE
CL '1' RIP-RAP
EST. 25 TONS

GLENDA ODOM, ET AL
DB 372 PG 157

CL '1' RIP-RAP
EST. 3 TON
GEOTEXTILE
EST. 7 SY

RELOCATE FENCE
(BY OWNER)

RICHARD C.
GRINDSTAFF
DB 366 PG 462



TEMP. PROTECTIVE FENCING
REQUIRED TO PROTECT
EXIST. RETAINING WALLS
DURING CONSTRUCTION

TEMP. PROTECTIVE FENCING
REQUIRED TO PROTECT
EXIST. RETAINING WALLS
DURING CONSTRUCTION

DO NOT DISTURB
LANDSCAPED TREES
INSIDE HPB.

27 MAY 2022 16:40 Utilities\Engineering\UBO\Proj\A-0009CA_ut_r.dwg 17:0015_psh.dgn
90 (TGS)\Sector\Utilities\Engineering\UBO\Proj\A-0009CA_ut_r.dwg 17:0015_psh.dgn

