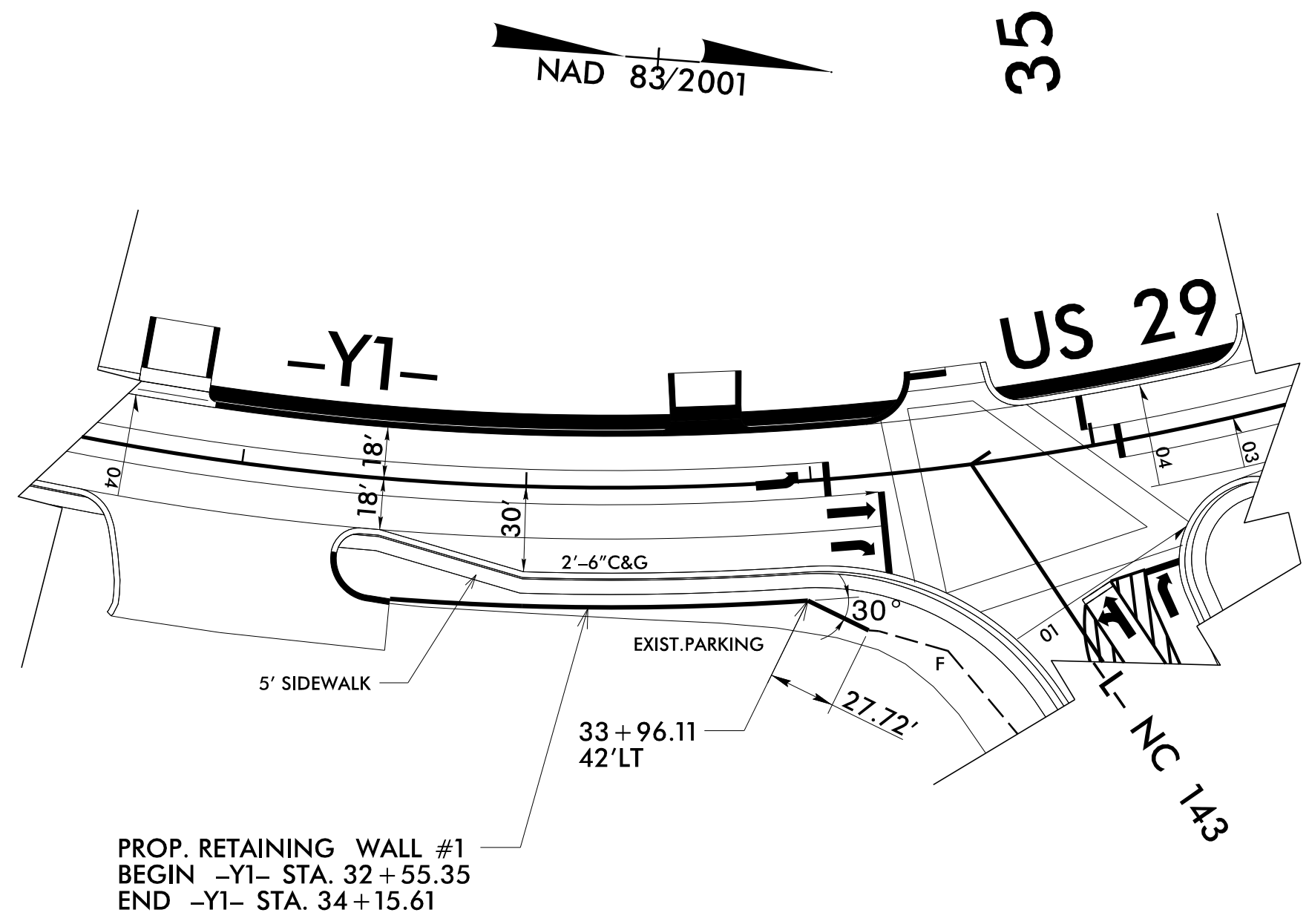
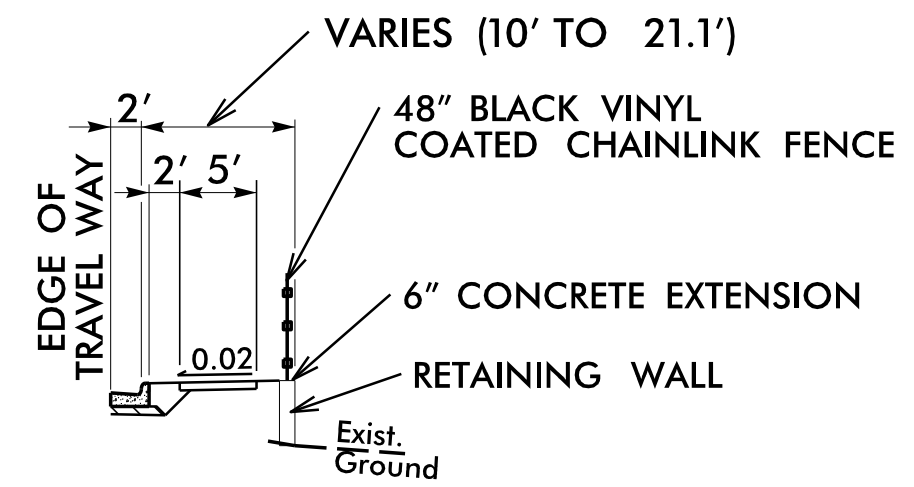


# RETAINING WALL #1:



RETAINING WALL #1 ENVELOPE AND WALL LAYOUT PROVIDED BY TGS ENGINEERS, INC.

ESTIMATED RETAINING WALL QUANTITY (SQUARE FEET)	
CAST-IN-PLACE (CIP) GRAVITY RETAINING WALL #1	895 SF

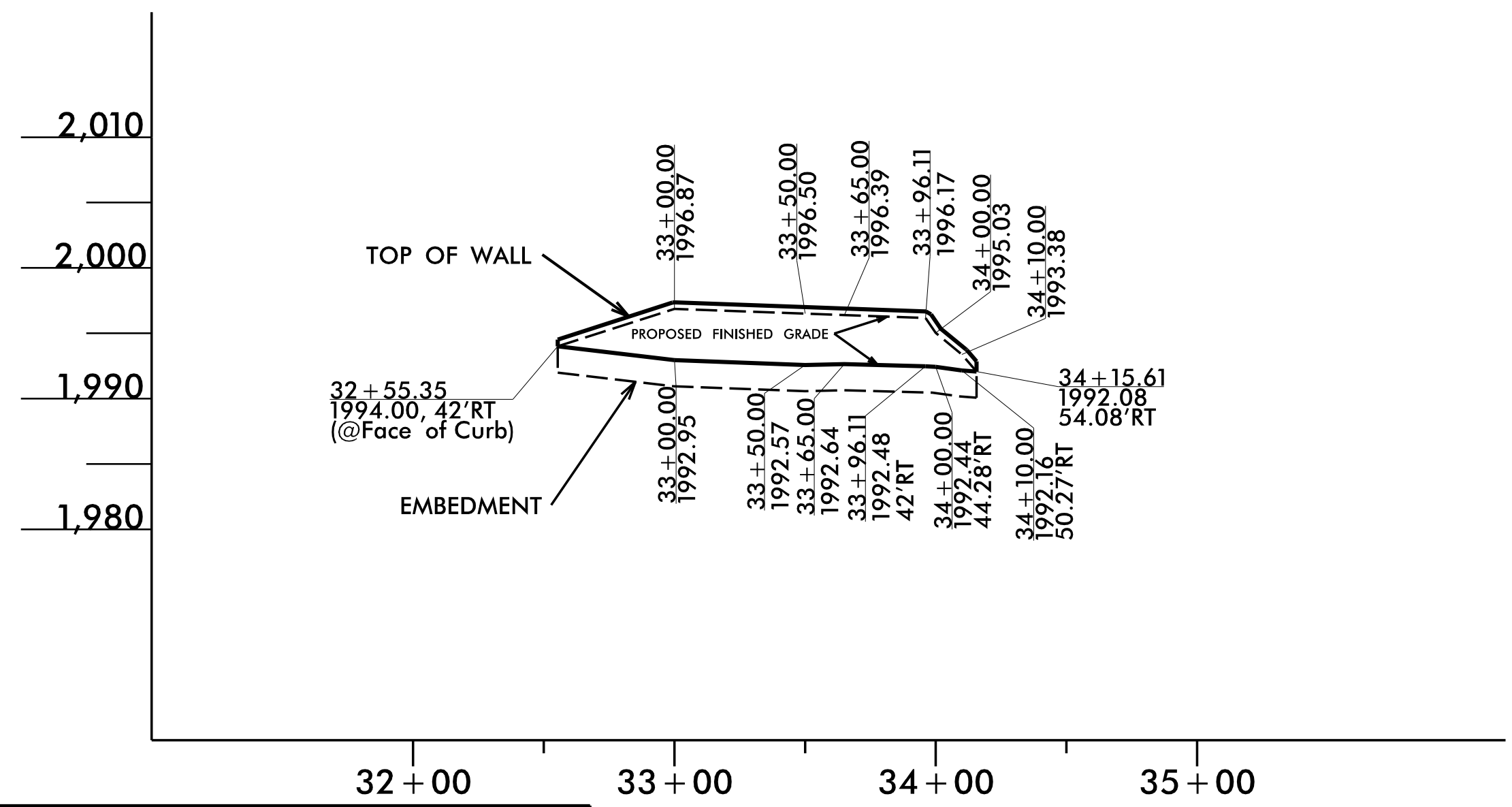


DETAIL FOR WALL #1

NOT TO SCALE  
 -Y1- STA. 32+55.35 TO -Y1- STA. 34+15.61, RT  
 THE WALL ENVELOPE DOES NOT ACCURATELY DEPICT THE ACTUAL WALL FACE OF WALL #1  
 AT THE FOLLOWING LOCATION:  
 -Y1- STA. 33+96.11 TO 34+15.61, RT

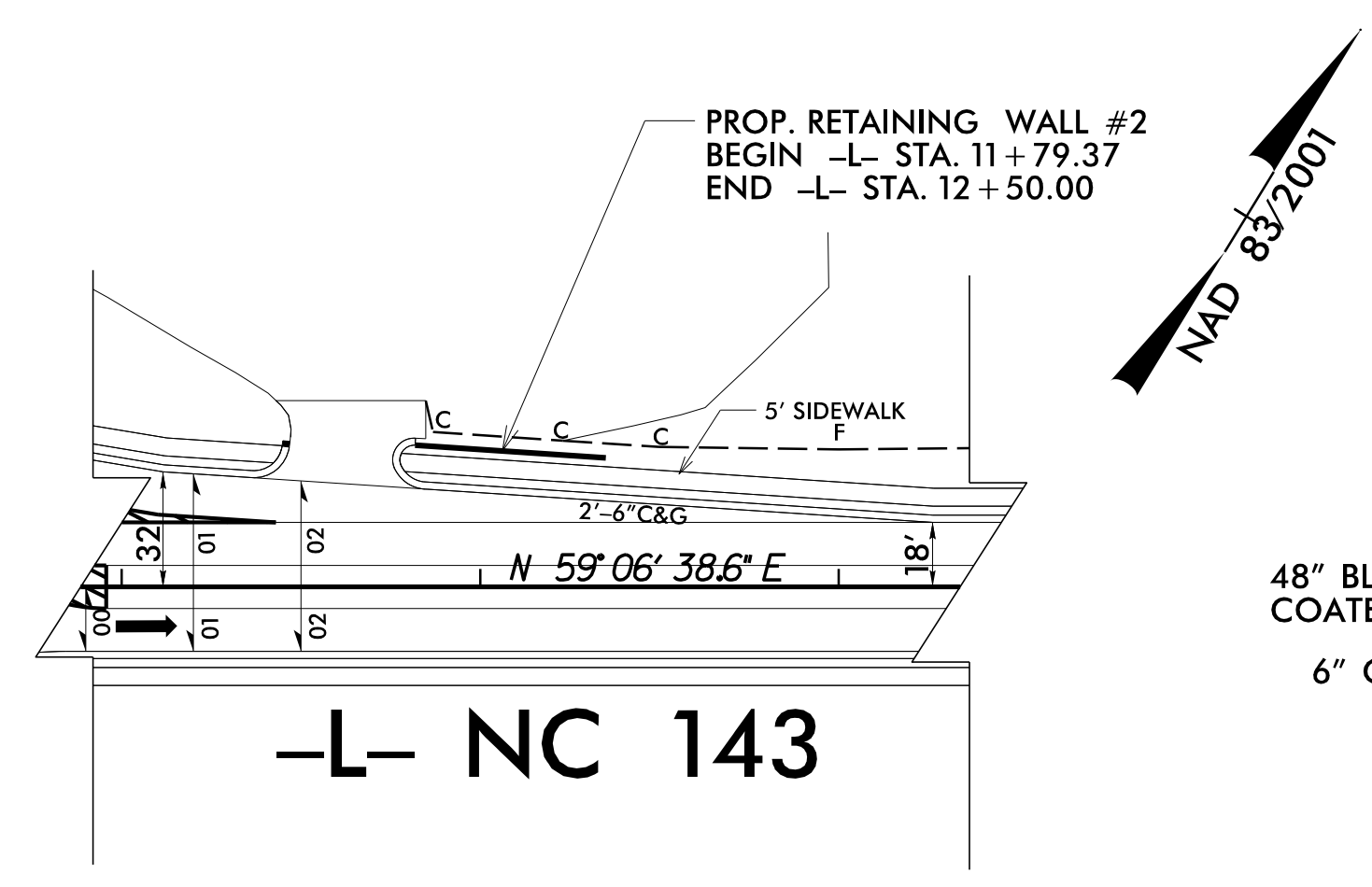
# RETAINING WALL #1:

NOT TO SCALE (LOOKING AT FACE OF WALL)



PREPARED BY: R. KRAL	DATE: 4/28/2022
REVIEWED BY: M. BREWER	DATE: 4/28/2022

# RETAINING WALL #2



ESTIMATED RETAINING WALL QUANTITY (SQUARE FEET)	
CAST-IN-PLACE (CIP) GRAVITY RETAINING WALL #2	495 SF

GEOTECHNICAL ENGINEER

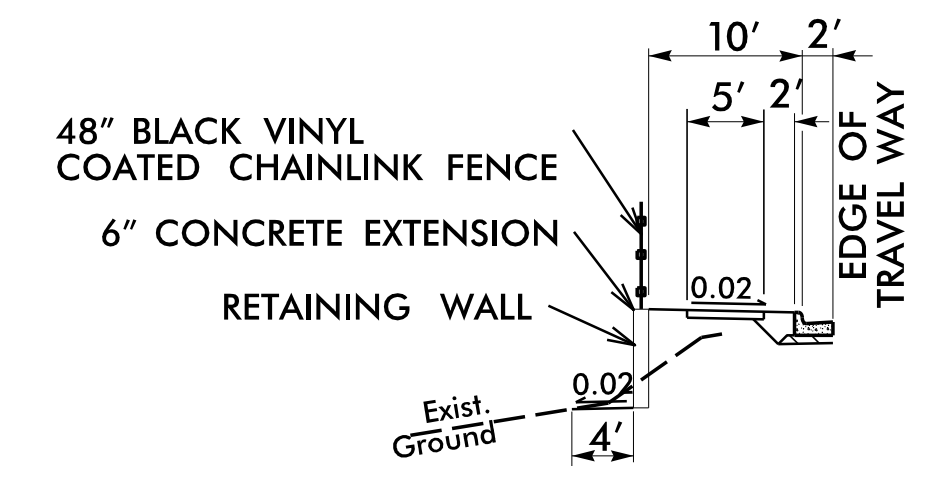
ROBERT E. KRAL

ENGINEER

DocuSigned by:  
  
 MAD708B8A8A6A  
 SIGNATURE

4/28/22  
 DATE

DOCUMENT NOT CONSIDERED FINAL UNLESS ALL SIGNATURES COMPLETED

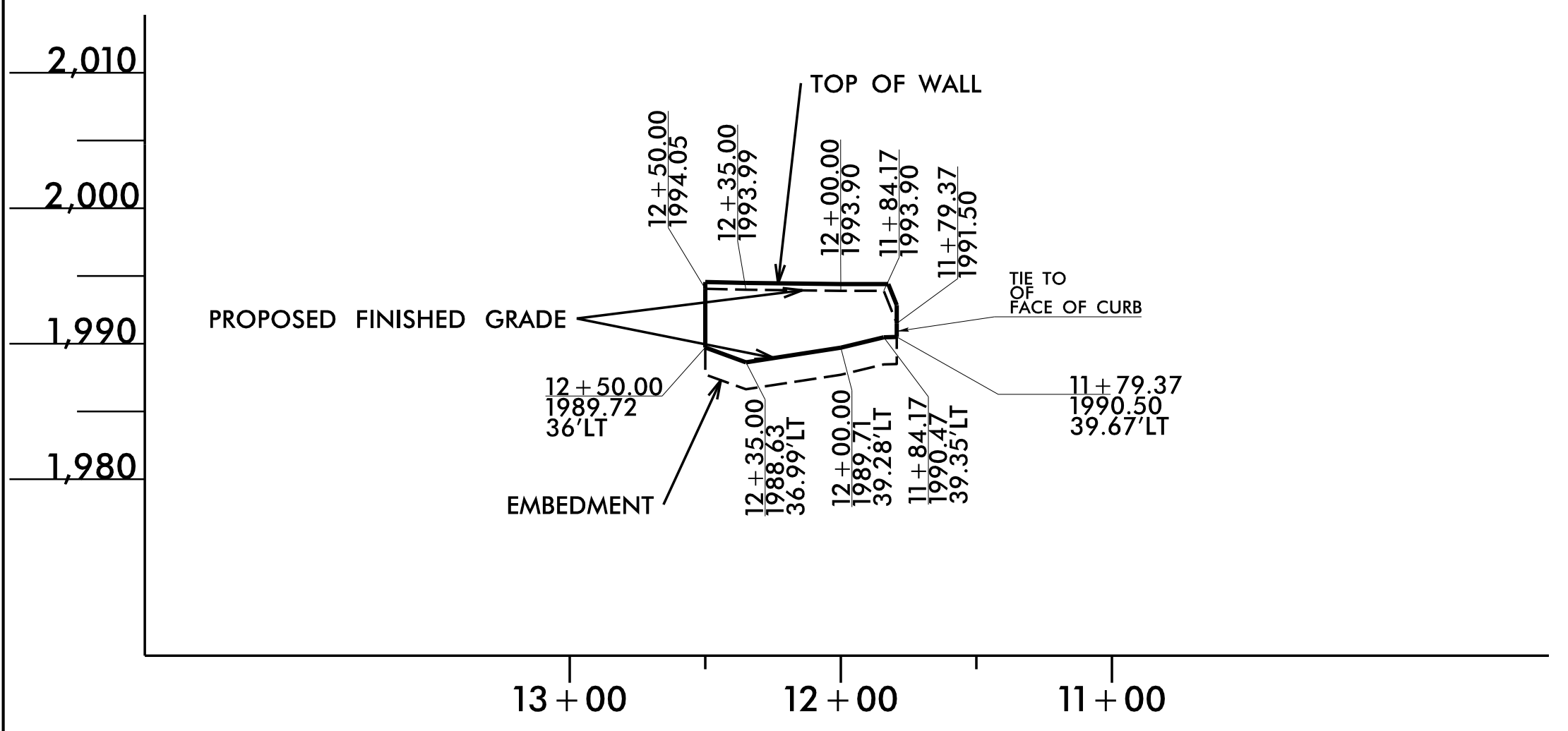


DETAIL FOR WALL #2

NOT TO SCALE  
 -L- STA. 11+79.37 TO -L- STA. 12+50.00, LT  
 THE WALL ENVELOPE DOES NOT ACCURATELY DEPICT THE ACTUAL WALL FACE OF WALL #2  
 AT THE FOLLOWING LOCATION:  
 -L- STA. 11+79.37 TO 12+50.00, LT

# RETAINING WALL #2:

NOT TO SCALE (LOOKING AT FACE OF WALL)



PROJECT NO.: A-0009CA  
 GRAHAM COUNTY  
 RETAINING WALL #1: -Y1- 32+55, 42' RT TO 34+15, 54' RT  
 RETAINING WALL #2: -L- 11+79, 39' LT TO 12+50, 36' LT

SHEET 1 OF 2

Prepared in the Office of:

**CAROLINAS GEOTECHNICAL GROUP**  
 2400 CROWNPOINT EXECUTIVE DRIVE  
 SUITE 800  
 CHARLOTTE, NC 28227  
 (980) 339-8684

**NORTH CAROLINA DEPARTMENT OF TRANSPORTATION**  
 DIVISION OF HIGHWAYS

**GEOTECHNICAL ENGINEERING UNIT**

REVISIONS					
NO.	BY	DATE	NO.	BY	DATE
1			3		
2			4		

SHEET NO. W11/W2-1