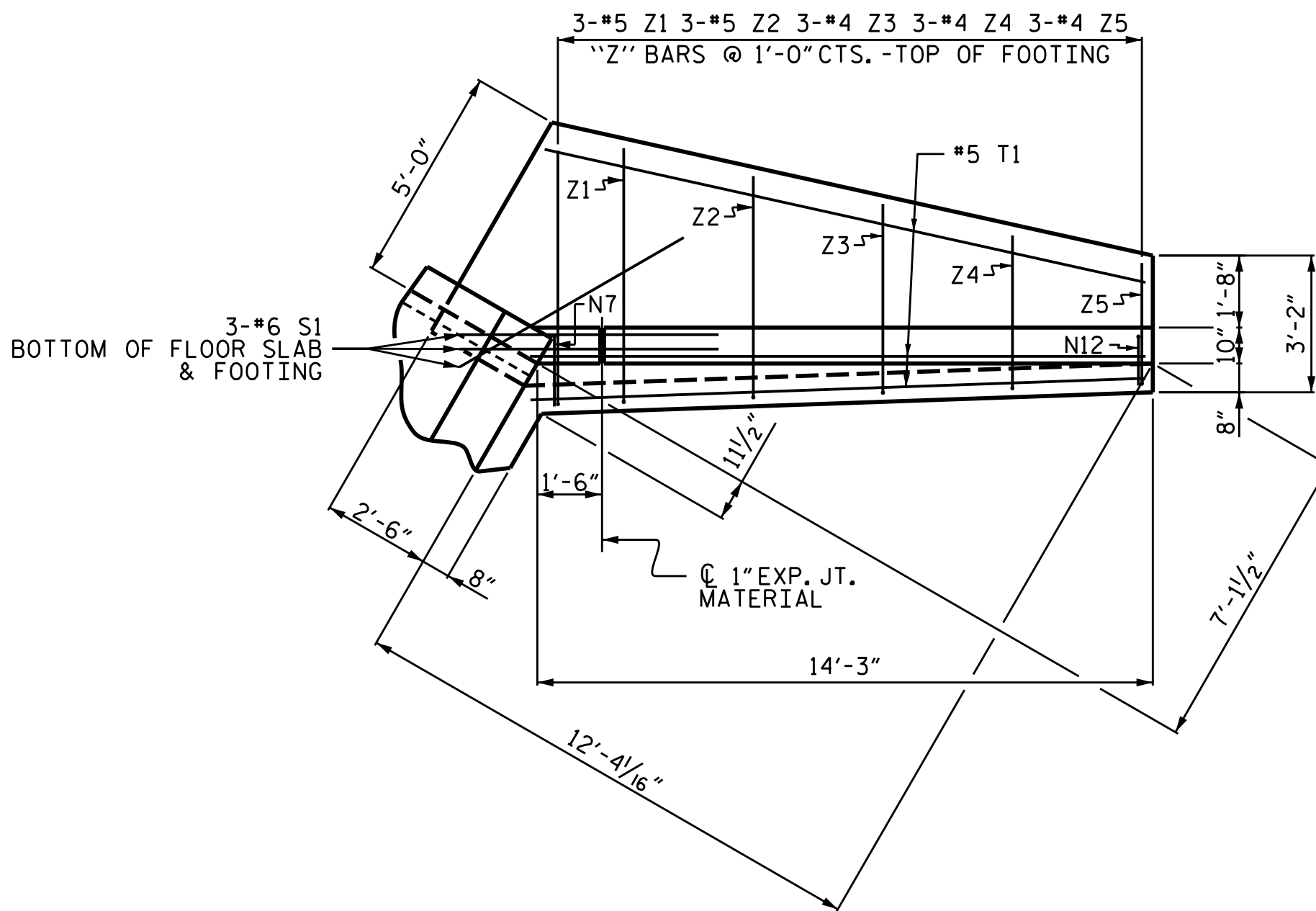
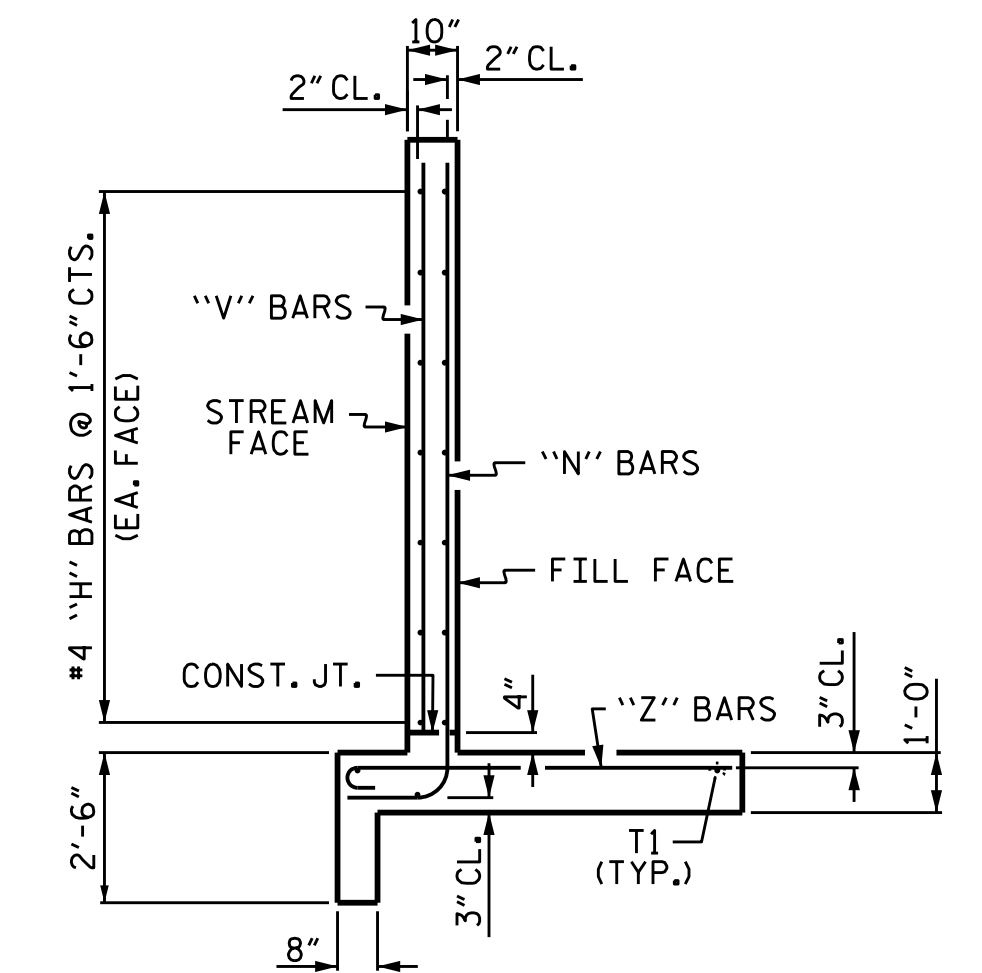


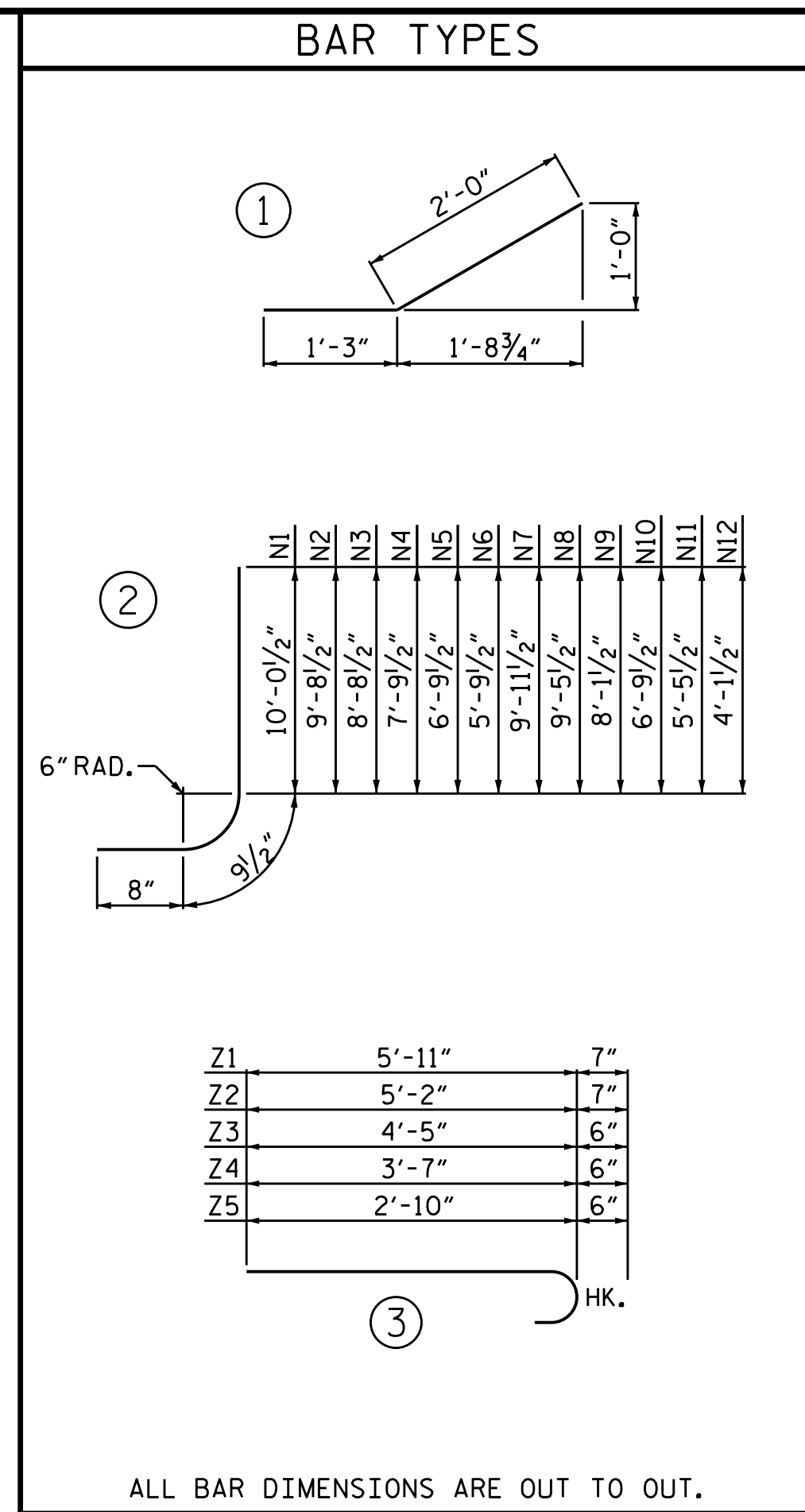
PLAN W2



PLAN W1



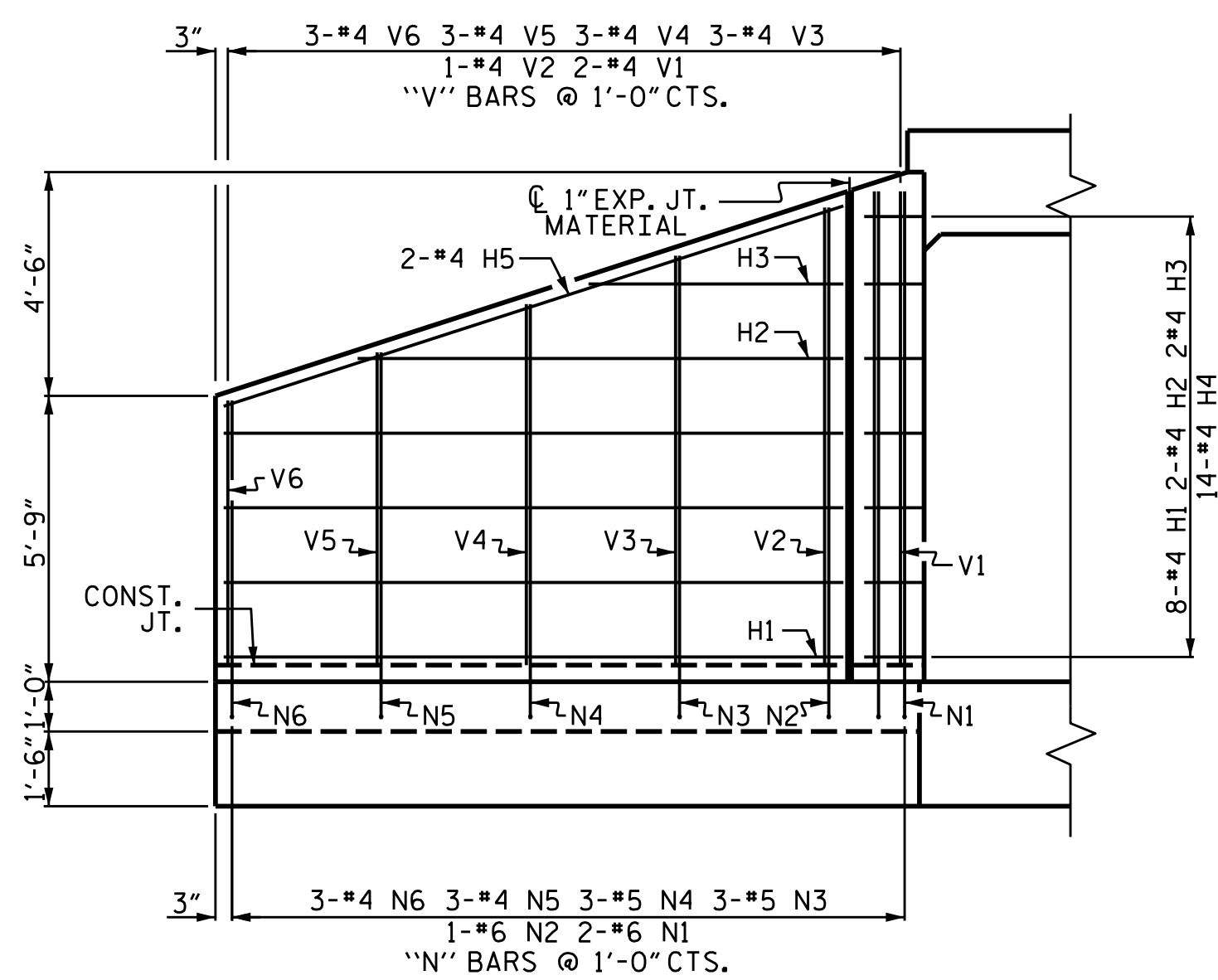
TYPICAL WING SECTION



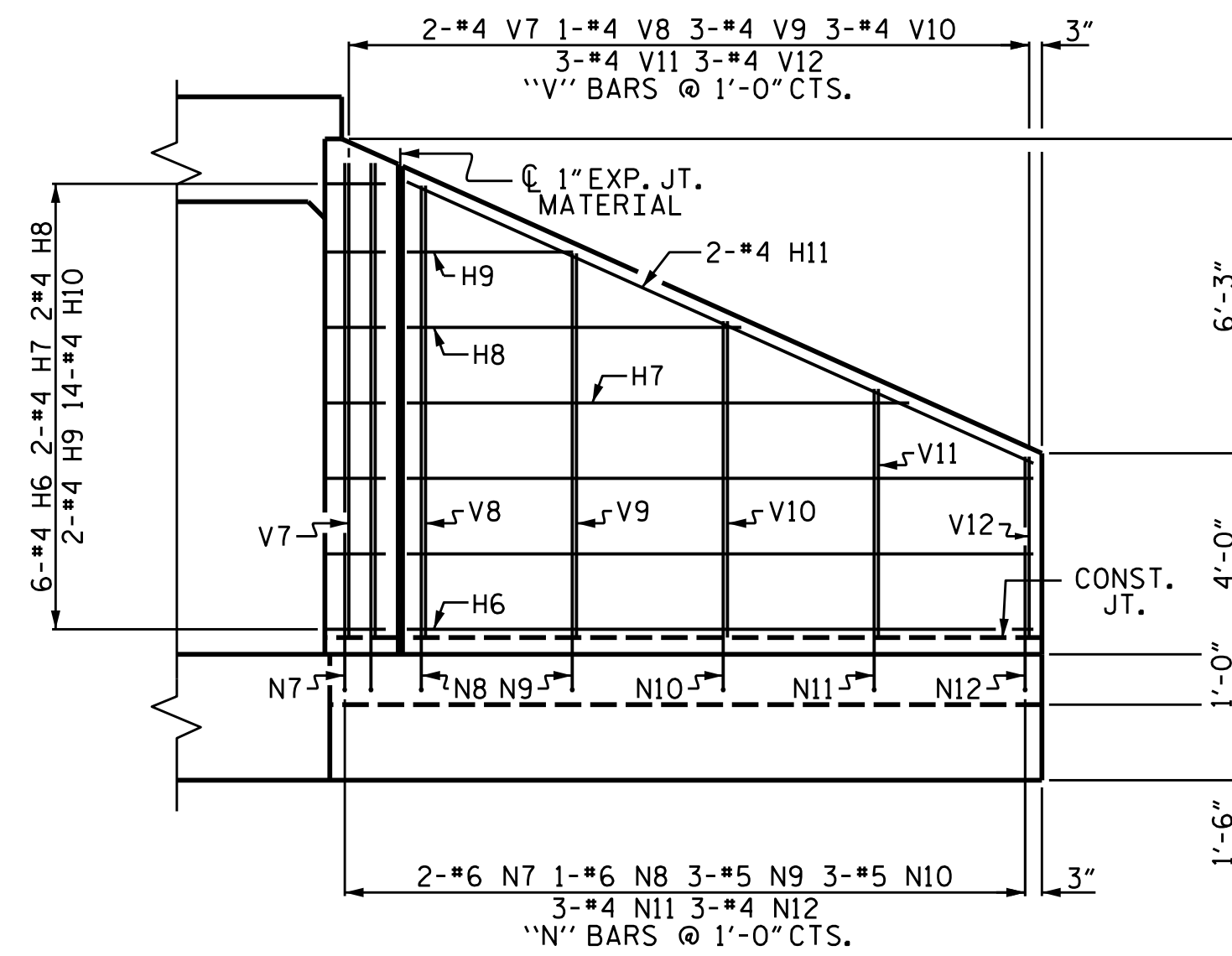
ALL BAR DIMENSIONS ARE OUT TO OUT.

NOTES
 A 3 FOOT STRIP OF FILTER FABRIC SHALL BE ATTACHED TO THE FILL FACE OF THE WING COVERING THE ENTIRE LENGTH OF THE EXPANSION JOINT.
 G1 BARS IN HEADWALL ARE INCLUDED WITH THE BARREL REINFORCING STEEL.

INLET WINGS BILL OF MATERIAL					
BAR	NO.	SIZE	TYPE	LENGTH	WEIGHT
H1	8	#4	STR	12'-4"	66
H2	2	#4	STR	9'-9"	13
H3	2	#4	STR	5'-1"	7
H4	14	#4	1	3'-3"	30
H5	2	#4	STR	12'-11"	17
H6	6	#4	STR	12'-4"	49
H7	2	#4	STR	9'-11"	13
H8	2	#4	STR	6'-5"	9
H9	2	#4	STR	3'-2"	4
H10	14	#4	1	3'-3"	30
H11	2	#4	STR	13'-5"	18
N1	2	#6	2	11'-6"	35
N2	1	#6	2	11'-2"	17
N3	3	#5	2	10'-2"	32
N4	3	#5	2	9'-3"	29
N5	3	#4	2	8'-3"	17
N6	3	#4	2	7'-3"	15
N7	2	#6	2	11'-5"	34
N8	1	#6	2	10'-11"	16
N9	3	#5	2	9'-7"	30
N10	3	#5	2	8'-3"	26
N11	3	#4	2	6'-11"	14
N12	3	#4	2	5'-7"	11
S1	6	#6	STR	6'-0"	54
T1	6	#5	STR	14'-3"	89
V1	2	#4	STR	9'-4"	12
V2	1	#4	STR	9'-0"	6
V3	3	#4	STR	8'-1"	16
V4	3	#4	STR	7'-2"	14
V5	3	#4	STR	6'-2"	12
V6	3	#4	STR	5'-3"	11
V7	2	#4	STR	9'-2"	12
V8	1	#4	STR	8'-9"	6
V9	3	#4	STR	7'-6"	15
V10	3	#4	STR	6'-3"	13
V11	3	#4	STR	4'-11"	10
V12	3	#4	STR	3'-7"	7
Z1	6	#5	3	6'-6"	41
Z2	6	#5	3	5'-9"	36
Z3	6	#4	3	4'-11"	20
Z4	6	#4	3	4'-1"	16
Z5	6	#4	3	3'-4"	13
REINFORCING STEEL FOR W1 & W2				935 LBS	
CLASS A CONCRETE					
2 WINGS				13.6 CY	
1 HEADWALL				0.8 CY	
1 END CURTAIN WALL				0.9 CY	
TOTAL				15.3 CY	



ELEVATION W2



ELEVATION W1

PROJECT NO. A-0009CA
GRAHAM COUNTY
 STATION: 10+59.00 -DR1A-

SHEET 7 OF 8

STATE OF NORTH CAROLINA
 DEPARTMENT OF TRANSPORTATION
 RALEIGH

INLET WINGS FOR CONCRETE BOX CULVERT
 H = 9'-0" SLOPE = 2:1
 90° SKEW

6/1/2022

DOCUMENT NOT CONSIDERED FINAL UNLESS ALL SIGNATURES COMPLETED

TGS ENGINEERS
 706 HILLSBOROUGH STREET
 SUITE 200
 RALEIGH, NC 27603
 PH (919) 773-8887
 CORP. LICENSE NO.: C-0275

REVISIONS						SHEET NO.
NO.	BY:	DATE:	NO.	BY:	DATE:	C7-7
1			3			TOTAL SHEETS
2			4			8

ASSEMBLED BY : STM DATE : 03/22
 CHECKED BY : MGC DATE : 03/22