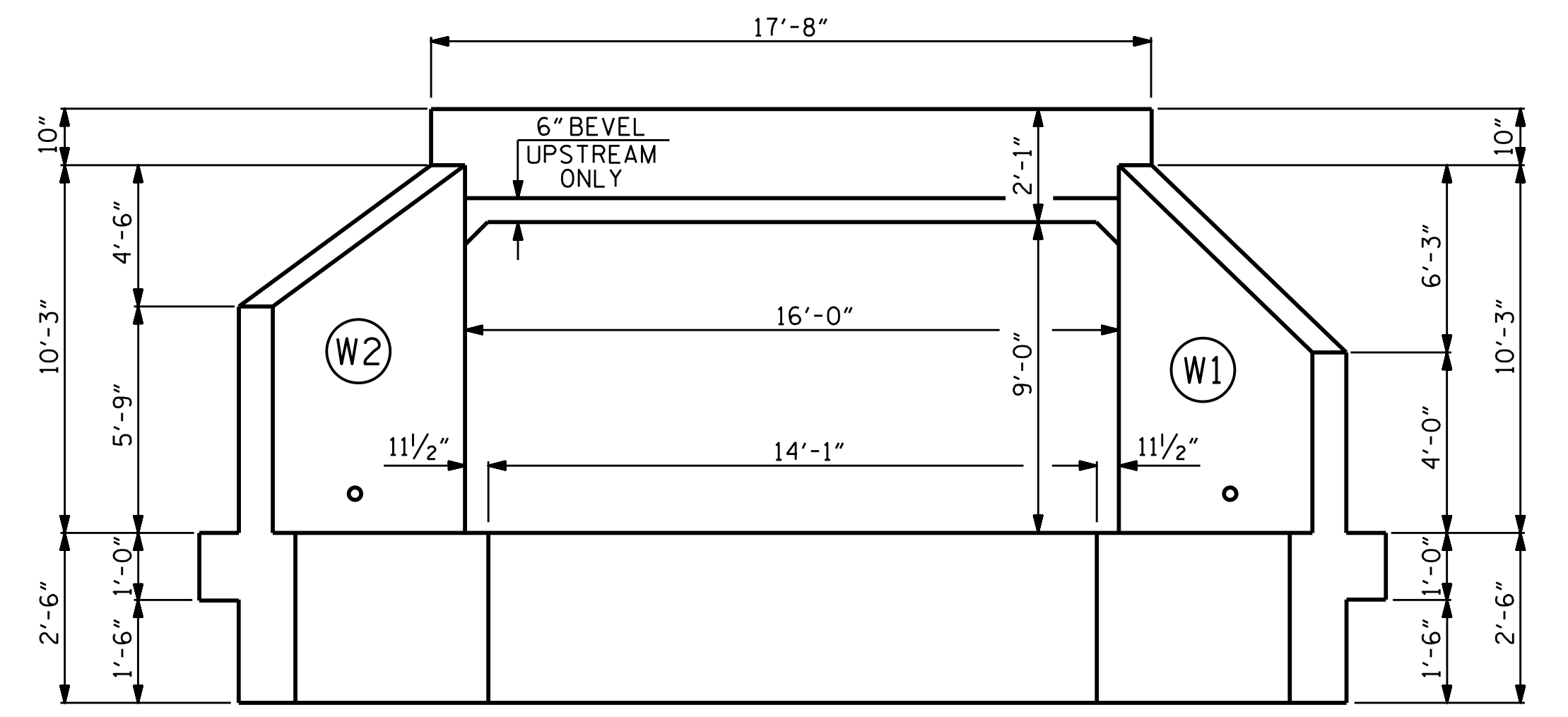
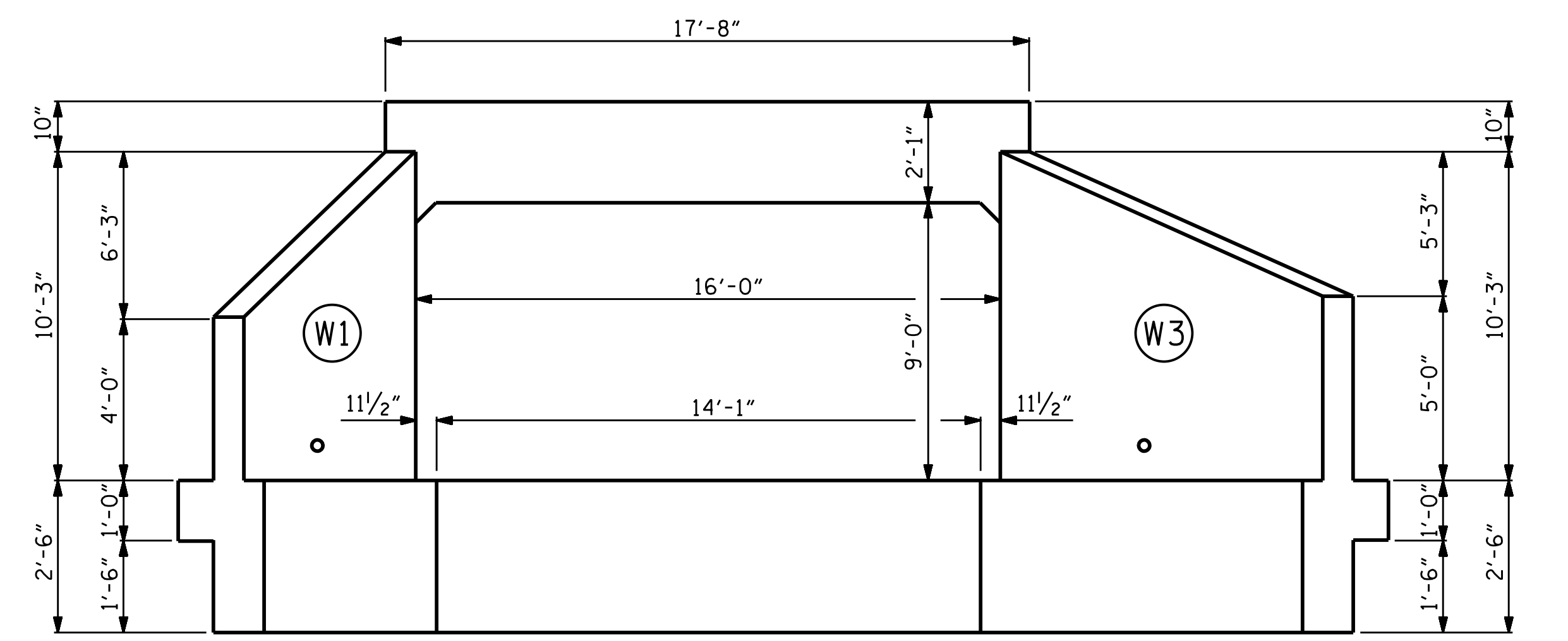


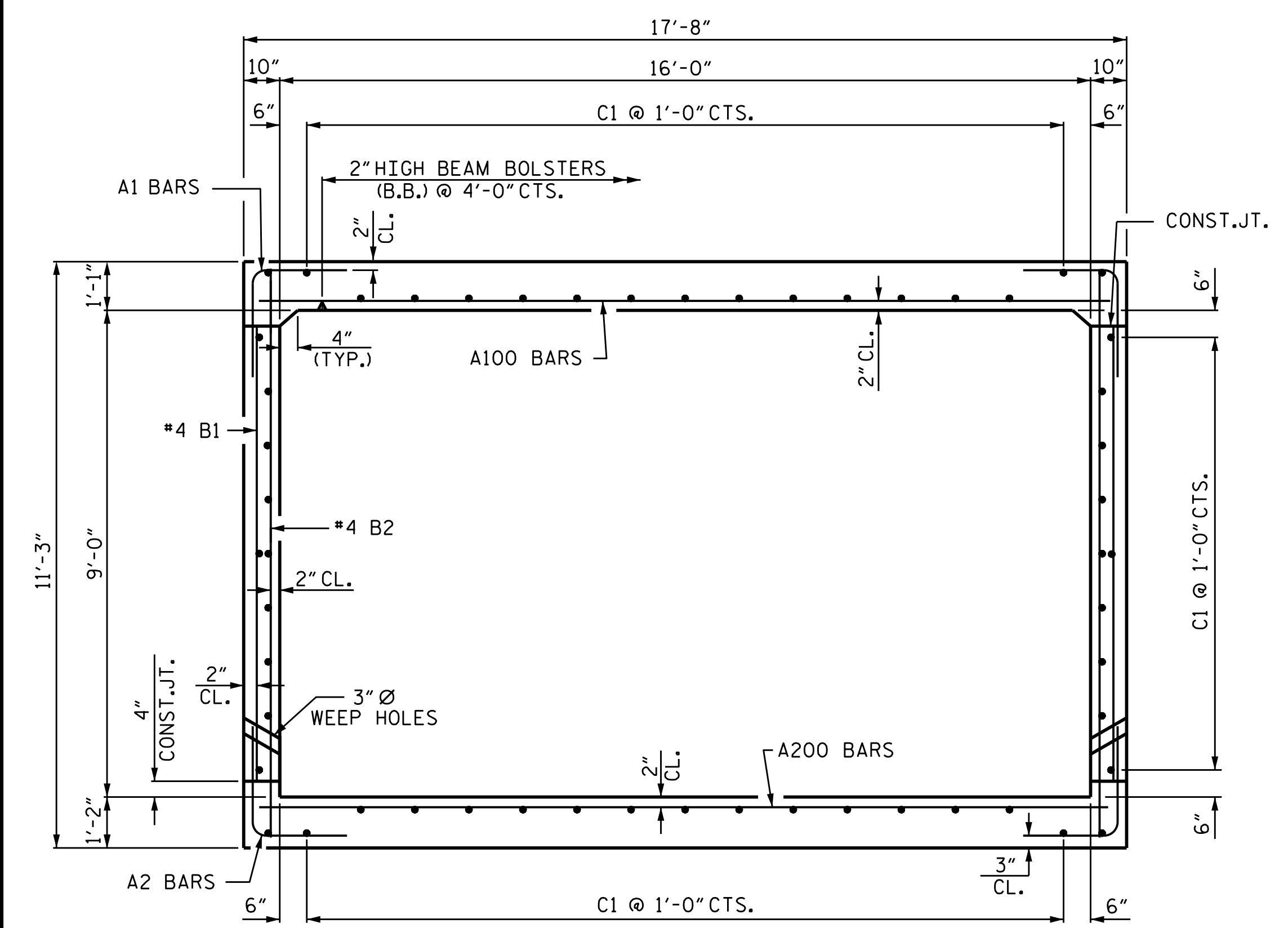
CULVERT SECTION NORMAL TO ROADWAY



INLET END ELEVATION

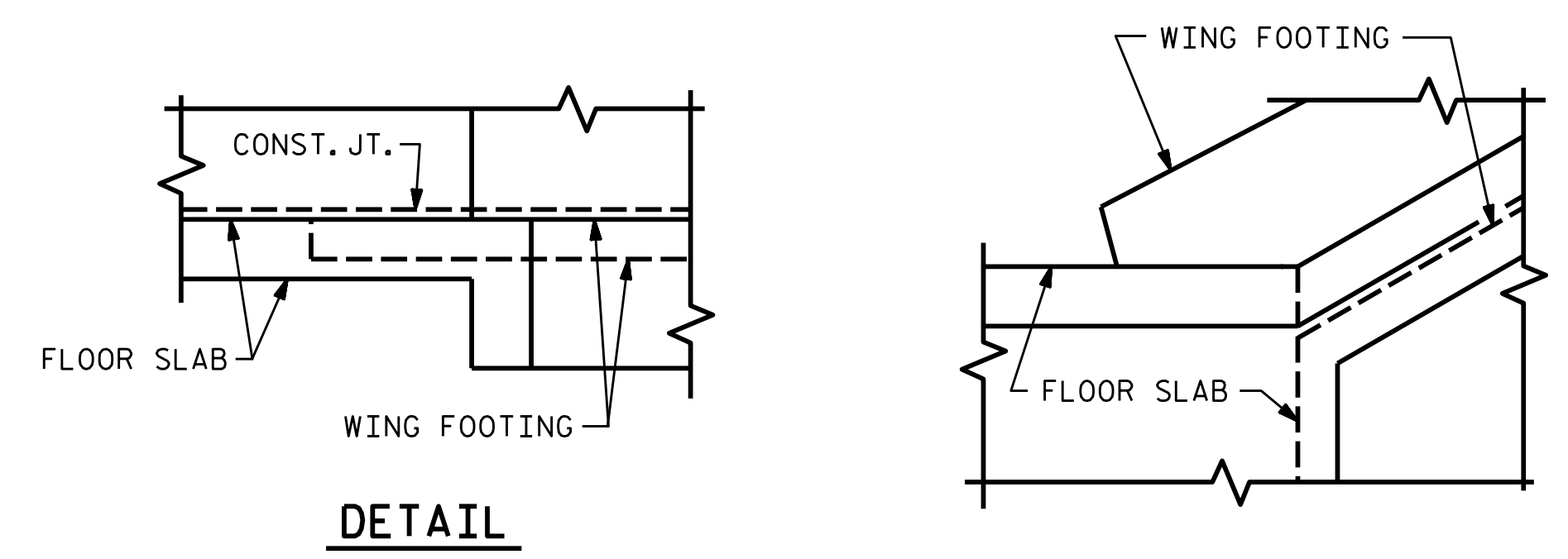


OUTLET END ELEVATION



RIGHT ANGLE SECTION OF BARREL

THERE ARE 54 C1 BARS IN SECTION OF BARREL



DETAIL

CONNECTION OF WING FOOTING AND FLOOR SLAB WHEN SLAB IS THICKER THAN FOOTING

PROJECT NO. A-0009CA
GRAHAM COUNTY
 STATION: 10+59.00 -DR1A-

SHEET 3 OF 8

STATE OF NORTH CAROLINA
 DEPARTMENT OF TRANSPORTATION
 RALEIGH

**SINGLE 16 FT. X 9 FT. CONCRETE BOX CULVERT
 90°-00'-00" SKEW**

6/1/2022

DOCUMENT NOT CONSIDERED FINAL UNLESS ALL SIGNATURES COMPLETED

TGS ENGINEERS
 706 HILLSBOROUGH STREET
 SUITE 200
 RALEIGH, NC 27603
 PH (919) 773-8887
 CORP. LICENSE NO.: C-0275

REVISIONS						SHEET NO.
NO.	BY:	DATE:	NO.	BY:	DATE:	C7-3
1			3			TOTAL SHEETS
2			4			8

ASSEMBLED BY: STM DATE: 02/22
 CHECKED BY: MGC DATE: 03/22