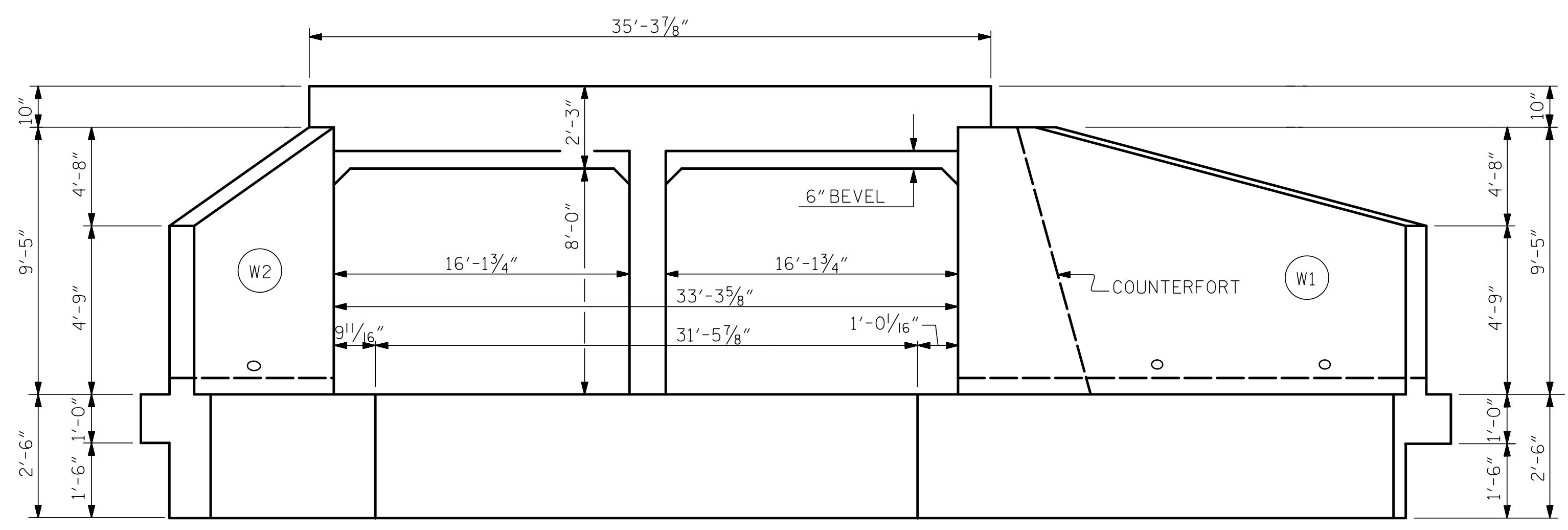
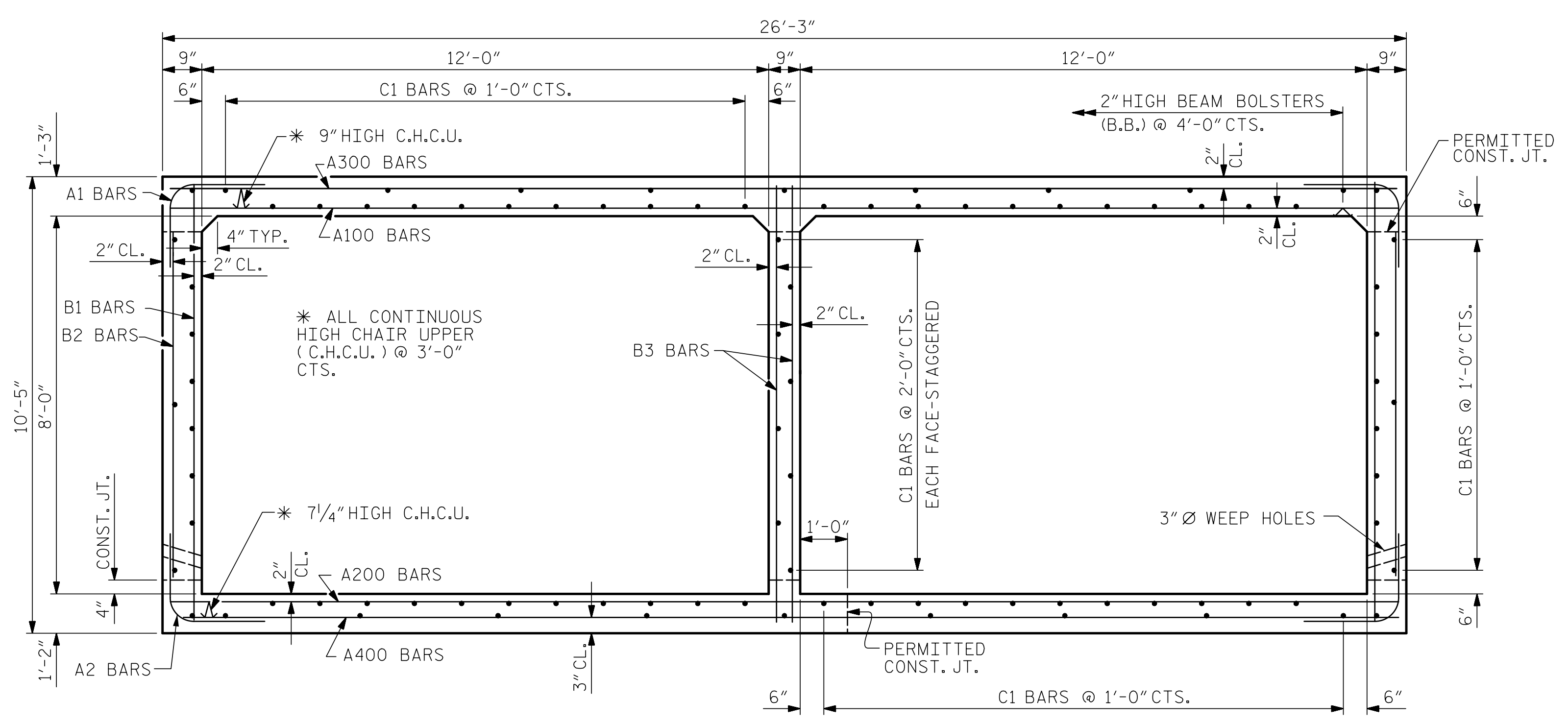


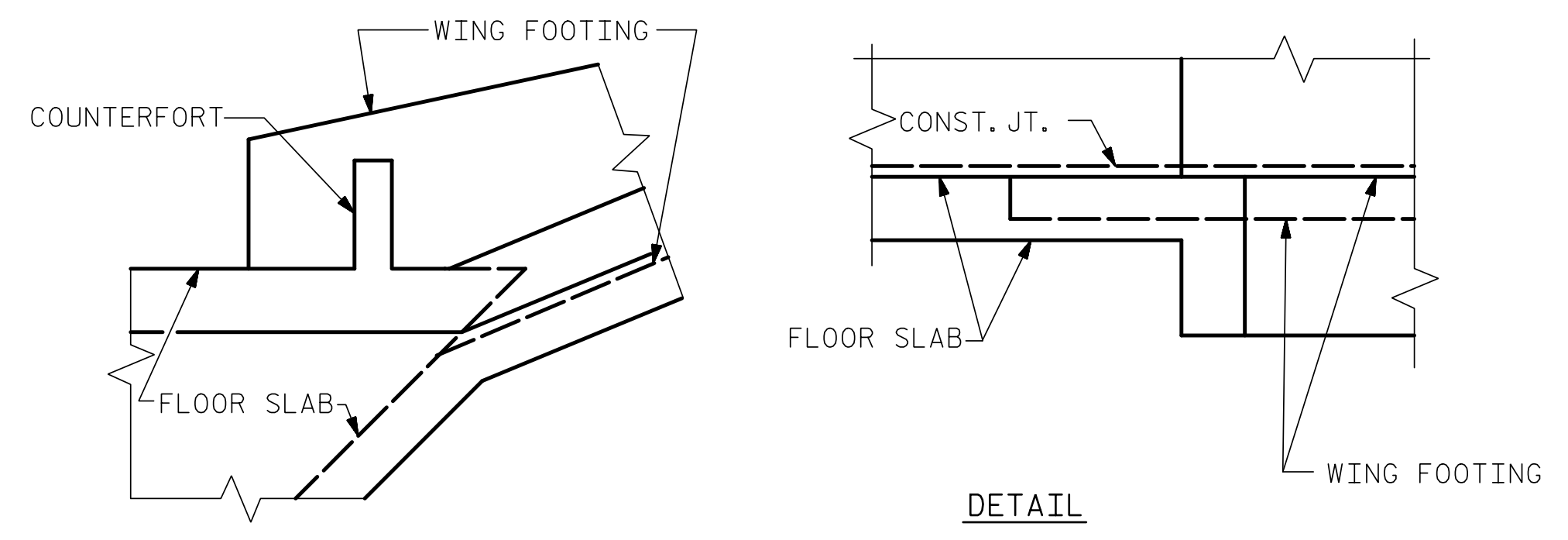
EXTERIOR WALL INTERIOR WALL
CULVERT SECTION NORMAL TO ROADWAY



INLET END ELEVATION NORMAL TO SKEW



RIGHT ANGLE SECTION OF BARREL
 THERE ARE 92 "C" BARS IN SECTION OF BARREL.



CONNECTION OF WING FOOTING AND FLOOR SLAB WHEN SLAB IS THICKER THAN FOOTING

PROJECT NO. A-0009CA
GRAHAM COUNTY
 STATION: 195+16.00 -L-

SHEET 3 OF 7

STATE OF NORTH CAROLINA
 DEPARTMENT OF TRANSPORTATION
 RALEIGH

DOUBLE 12 FT. x 8 FT.
 CONCRETE BOX CULVERT
 48° SKEW

6/1/2022

DOCUMENT NOT CONSIDERED FINAL UNLESS ALL SIGNATURES COMPLETED

TGS ENGINEERS
 706 HILLSBOROUGH STREET
 SUITE 200
 RALEIGH, NC 27603
 PH (919) 773-8887
 CORP. LICENSE NO.: C-0275

REVISIONS		SHEET NO.	
NO.	DATE	NO.	TOTAL SHEETS
1		3	C6-3
2		4	7

DRAWN BY : ZCS DATE : 2/21
 CHECKED BY : MGC DATE : 6/21
 DESIGN ENGINEER OF RECORD: ZCS DATE : 11/21