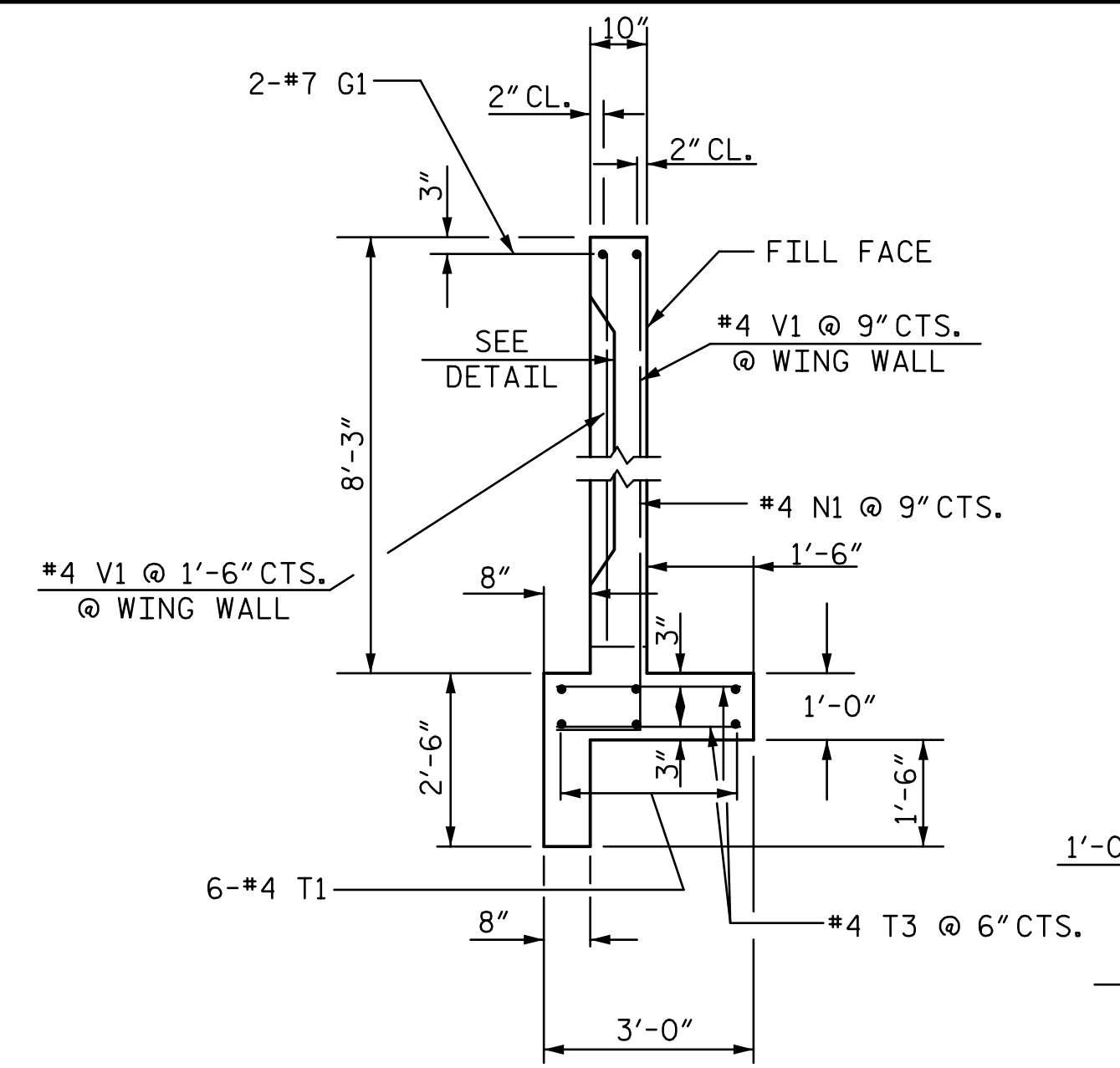
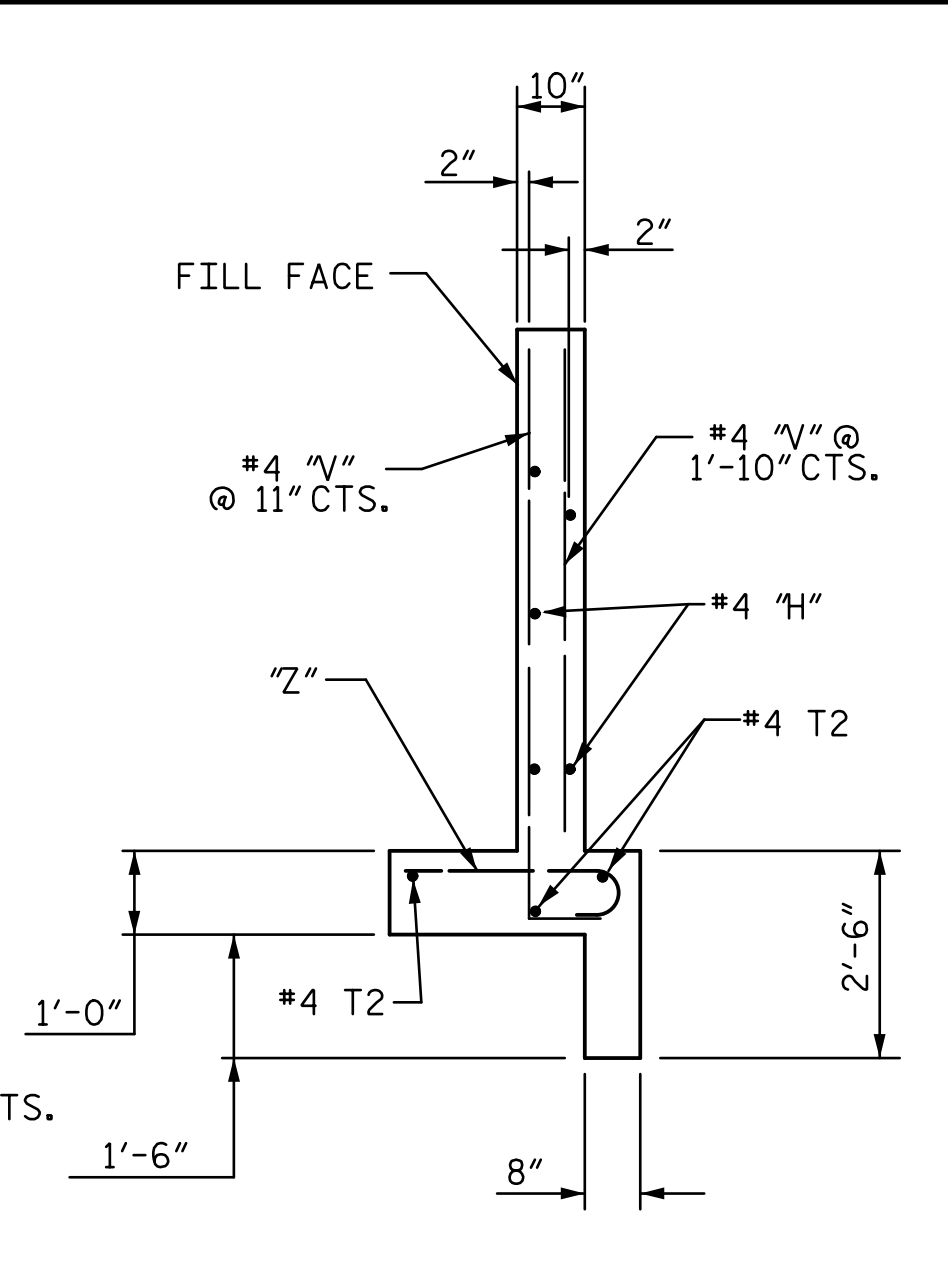


OUTLET ELEVATION
DIMENSIONS AND REINFORCING STEEL SYMMETRICAL ABOUT CL HEADWALL.

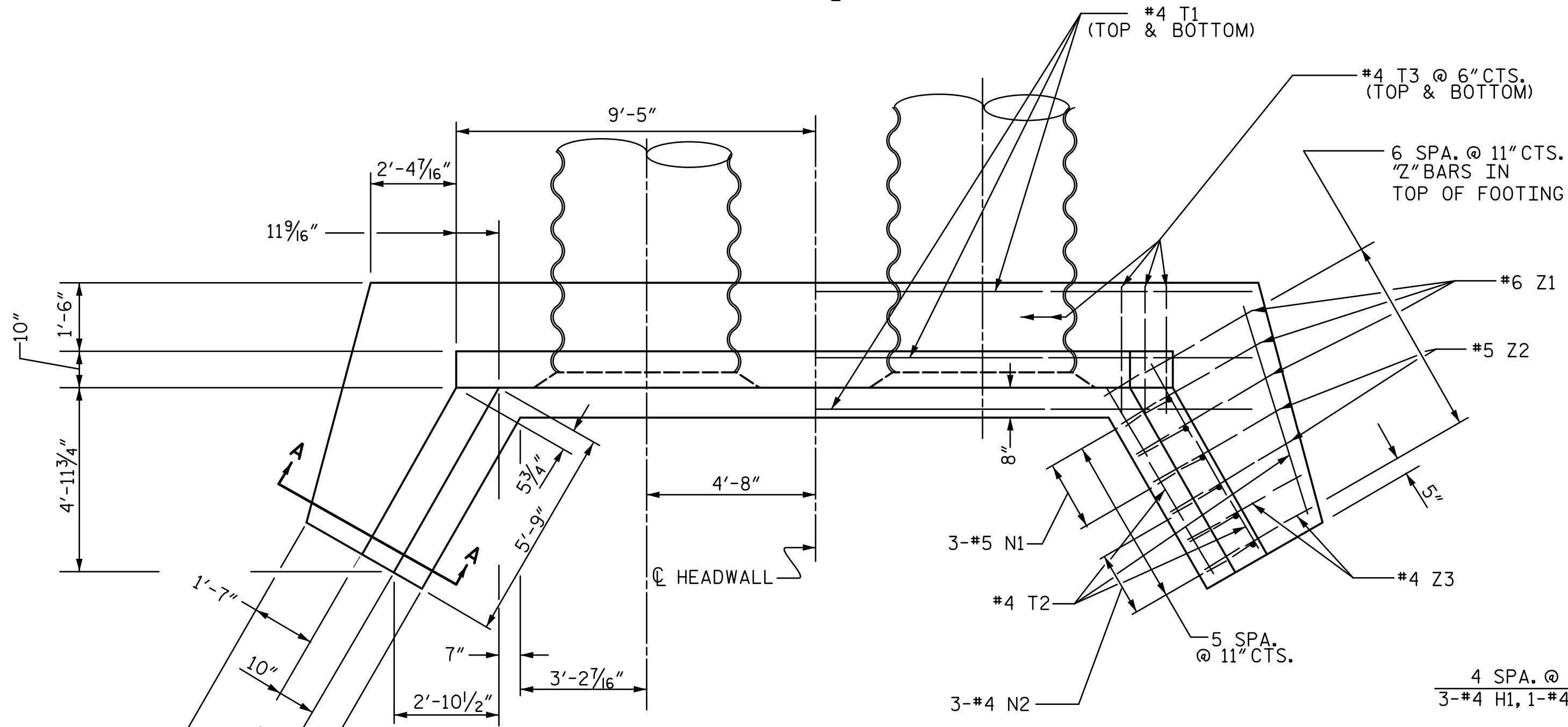


SECTION B-B
PIPES NOT SHOWN FOR CLARITY



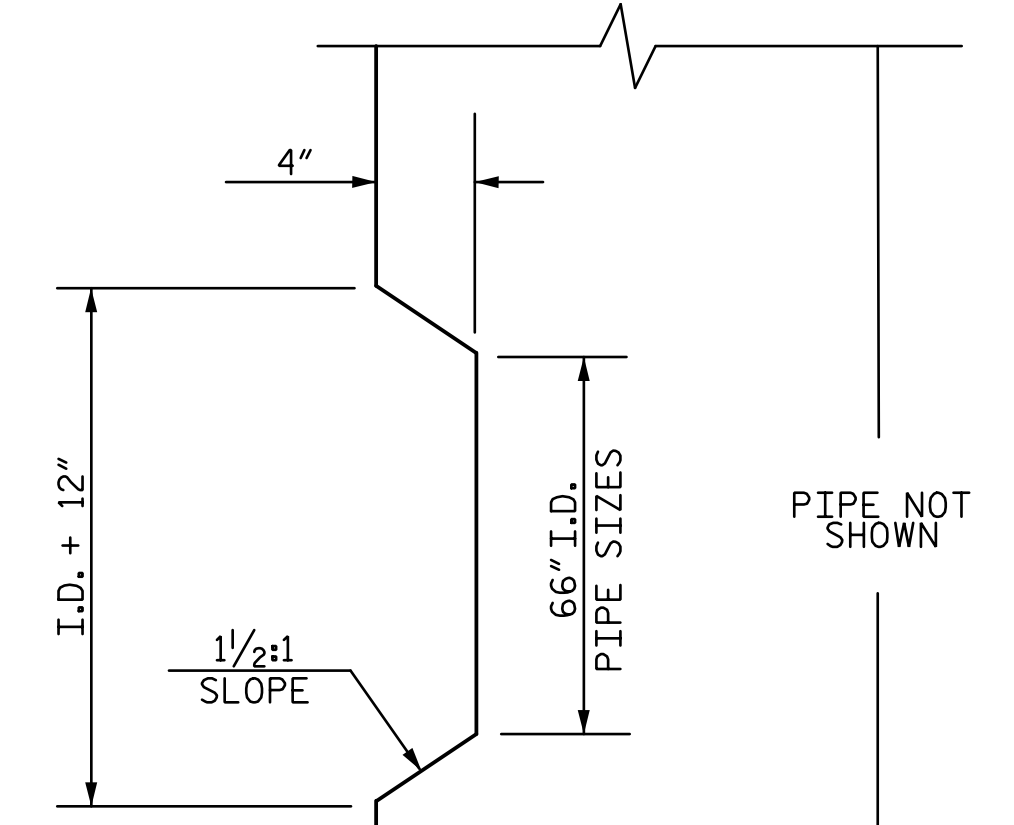
SECTION A-A

BILL OF MATERIAL FOR OUTLET HEADWALL					
BAR	NO.	SIZE	TYPE	LENGTH	WEIGHT
B1	8	#4	STR	7'-0"	37
B2	4	#4	STR	5'-10"	16
B3	4	#4	STR	7'-0"	19
G1	2	#7	STR	18'-6"	76
H1	10	#4	1	6'-4"	42
H2	2	#4	1	4'-10"	6
H3	4	#4	1	3'-3"	9
N1	14	#5	2	4'-11"	72
N2	6	#4	2	4'-5"	18
T1	6	#4	STR	23'-0"	92
T2	6	#4	STR	6'-0"	24
T3	76	#4	STR	2'-6"	127
V1	12	#4	STR	7'-9"	62
V2	6	#4	STR	6'-2"	25
V3	6	#4	STR	5'-1"	20
V4	6	#4	STR	3'-11"	16
Z1	6	#6	3	4'-6"	41
Z2	4	#5	3	3'-11"	16
Z3	4	#4	3	3'-3"	9
REINFORCING STEEL				727 LBS	
CLASS A CONCRETE				TOTAL 9.7 CY	

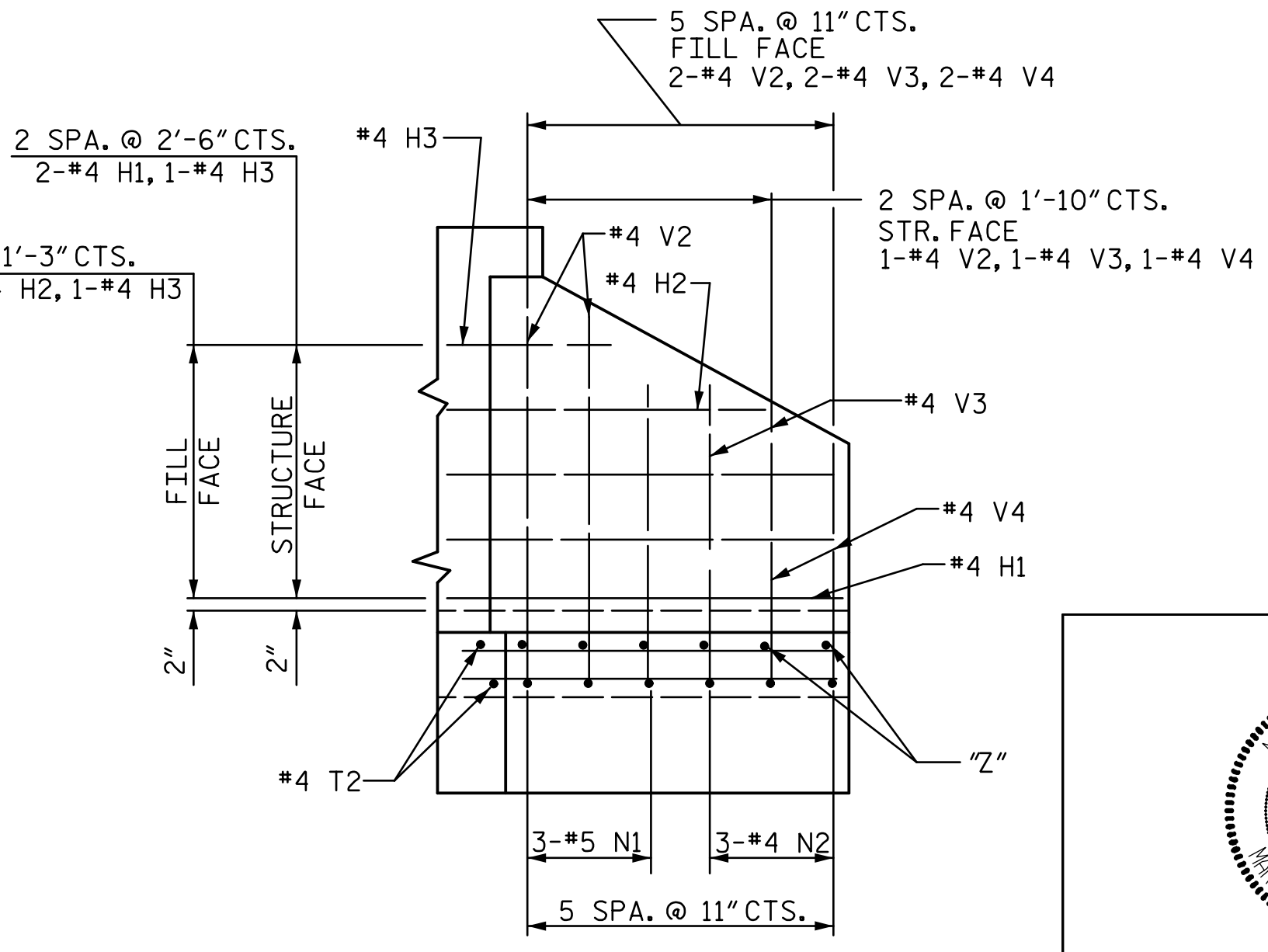


PLAN
DIMENSIONS AND REINFORCING STEEL SYMMETRICAL ABOUT CL HEADWALL.

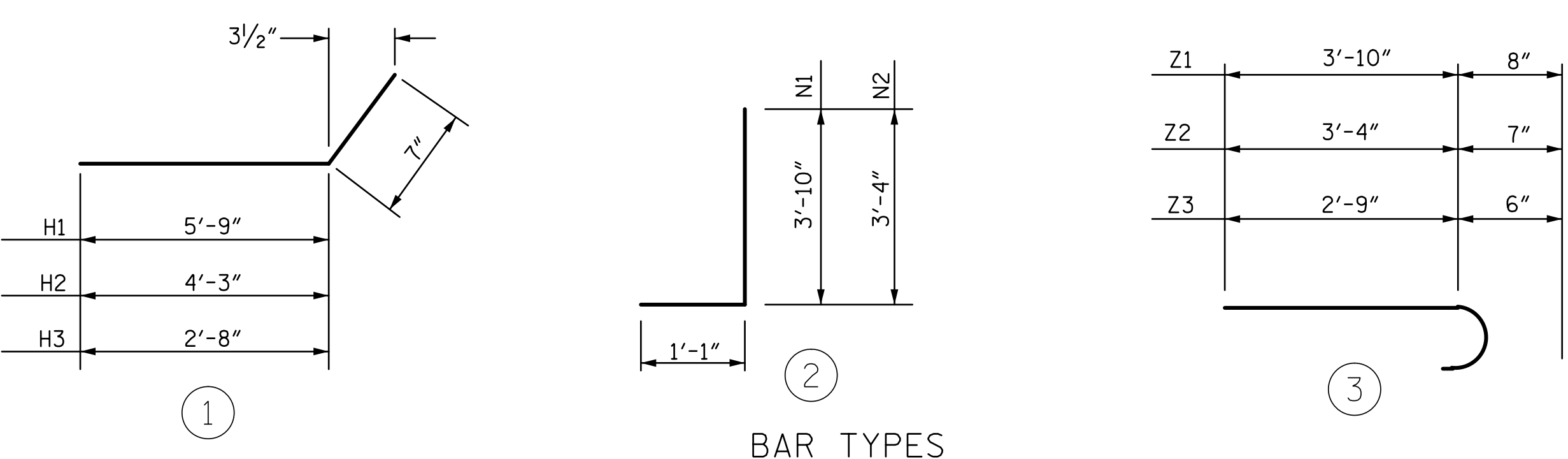
NOTES
NO SEPARATE PAYMENT WILL BE MADE FOR REINFORCING STEEL OR CLASS A CONCRETE. THE ENTIRE COST OF THESE ITEMS SHALL BE PAID FOR UNDER THE LUMP SUM PRICE BID FOR CORRUGATED ALUMINUM PIPE CULVERT.
CHAMFER ALL EXPOSED CORNERS 1".
PLACE A STONE DRAIN CONSISTING OF ONE (1) CUBIC FOOT OF NUMBER 78M STONE CONTAINED IN A POROUS FABRIC AT EACH WEEP HOLE. PLACE SUBDRAIN FINE AGGREGATE BENEATH AND OVER THE STONE DRAIN SO THE STONE DRAIN IS COMPLETELY COVERED BY A LAYER OF SUBDRAIN FINE AGGREGATE AT LEAST ONE (1) FOOT THICK WHERE THERE IS MORE THAN ONE WEEP HOLE IN A WING WALL. PLACE A HORIZONTAL DRAIN OF SUBDRAIN FINE AGGREGATE AT LEAST ONE (1) FOOT SQUARE IN CROSS SECTION TO CONNECT ALL STONE DRAINS. PLACE A VERTICAL DRAIN OF SUBDRAIN FINE AGGREGATE AT LEAST ONE (1) FOOT SQUARE IN CROSS SECTION AT EACH WEEP HOLE TO AN ELEVATION OF TWO (2) FEET BELOW THE SURFACE OF THE EMBANKMENT.



TAPER DETAIL



WING ELEVATION

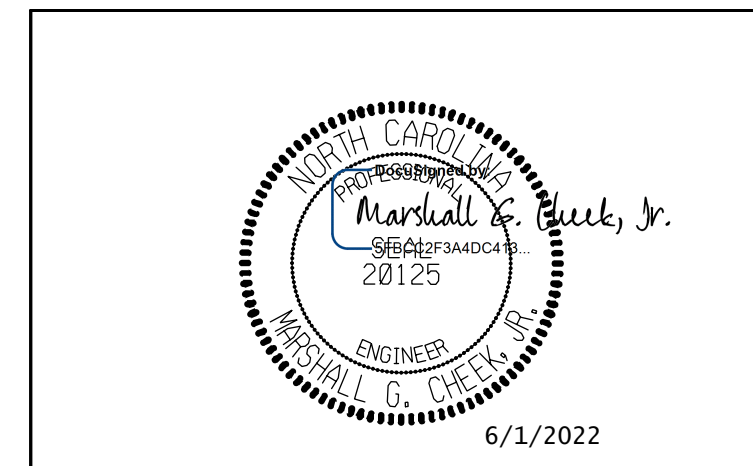


BAR TYPES

ALL DIMENSIONS ARE SHOWN OUT TO OUT

PROJECT NO. A-0009CA
GRAHAM COUNTY
STATION: 144+74.50 -L-

SHEET 3 OF 4



STATE OF NORTH CAROLINA
DEPARTMENT OF TRANSPORTATION
RALEIGH
CORRUGATED ALUMINUM PIPE CULVERT
94° SKEW
OUTLET HEADWALL

DRAWN BY : ZCS DATE : 12/21
CHECKED BY : MGC DATE : 1/22

DOCUMENT NOT CONSIDERED FINAL UNLESS ALL SIGNATURES COMPLETED
TGS ENGINEERS
804-C N. LAFAYETTE ST
SHELBY, NC 28150
PH (704) 476-0003
CORP. LICENSE NO.: C-0275

REVISIONS						SHEET NO.
NO.	BY:	DATE:	NO.	BY:	DATE:	TOTAL SHEETS
1			3			C5-3
2			4			4