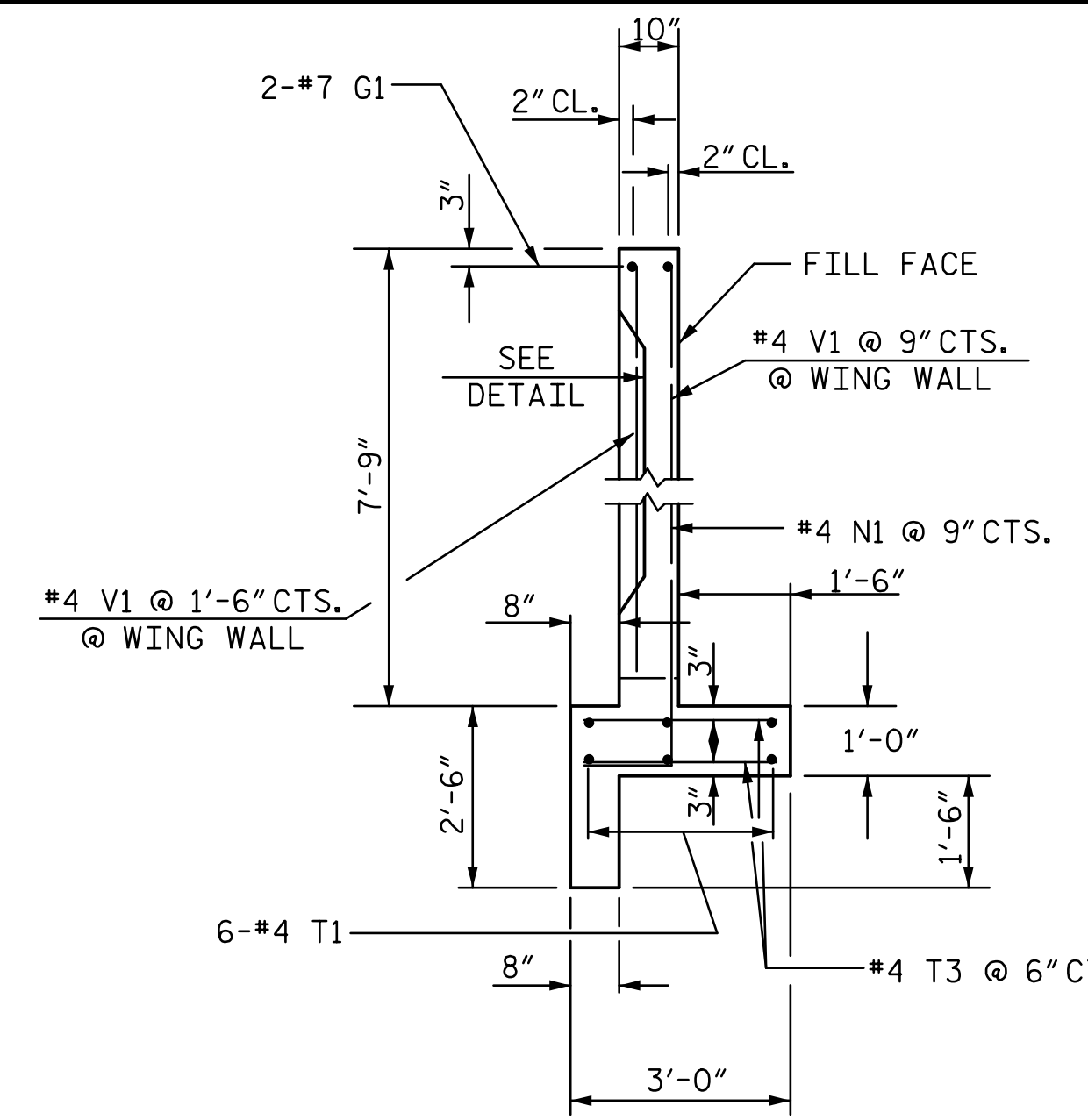
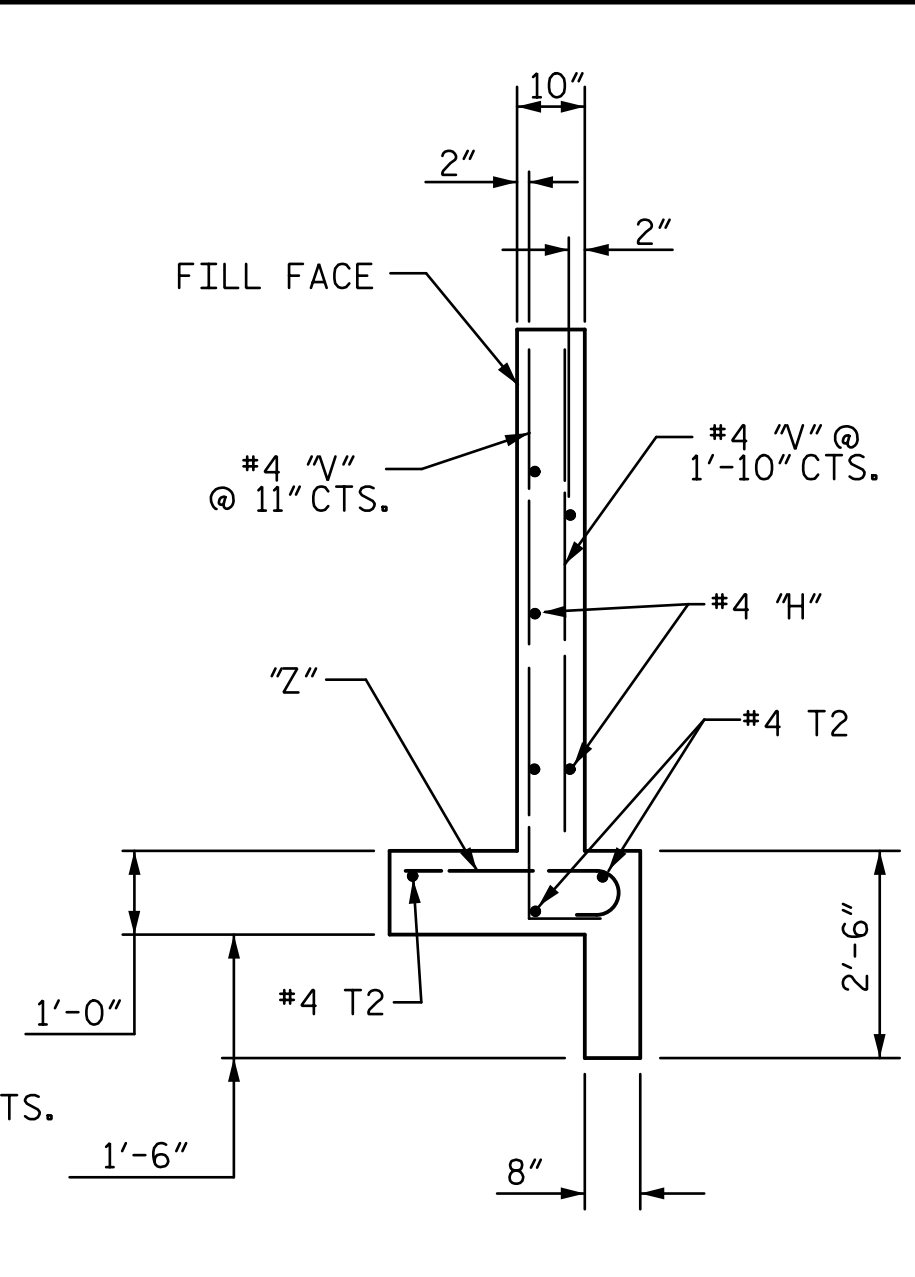


**INLET ELEVATION**  
DIMENSIONS AND REINFORCING STEEL SYMMETRICAL ABOUT CL HEADWALL.

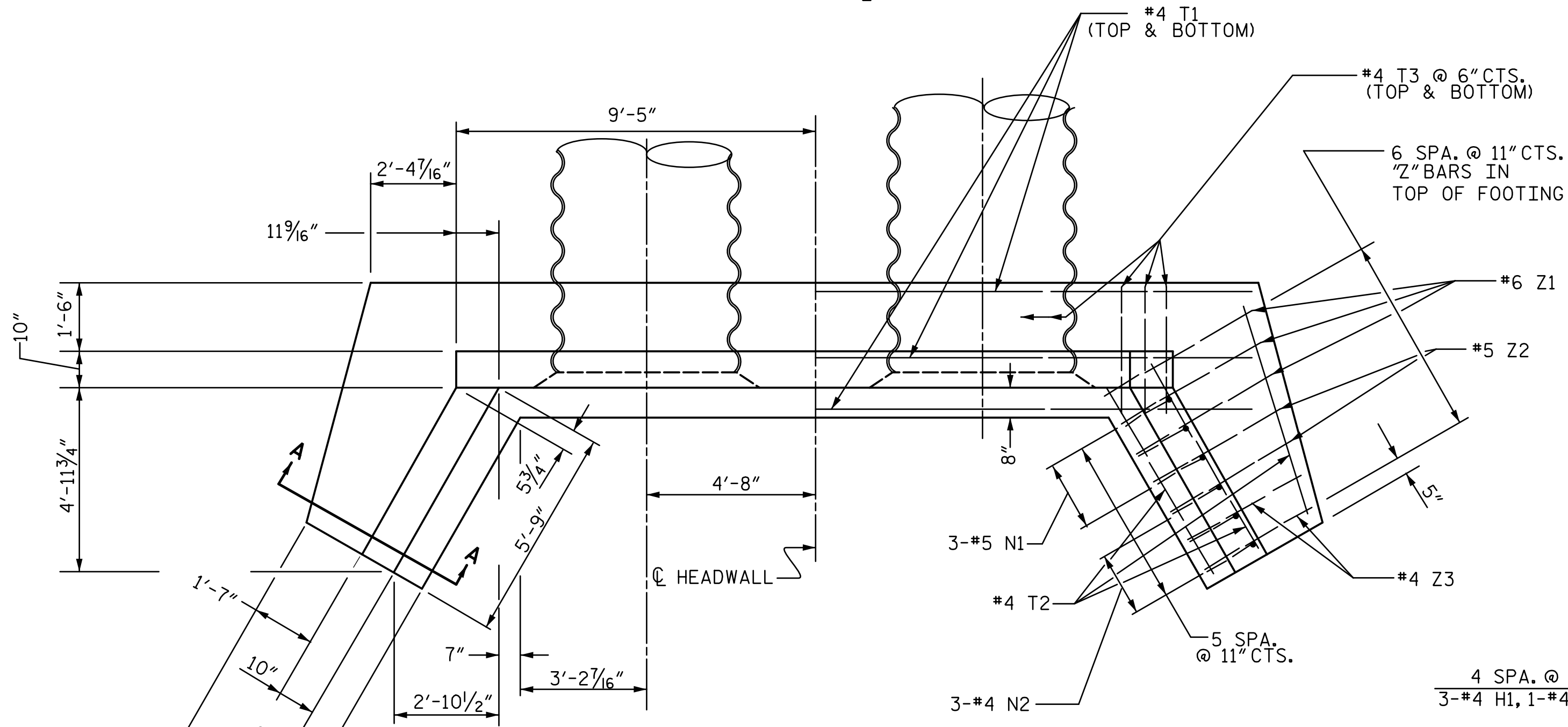


**SECTION B-B**  
PIPES NOT SHOWN FOR CLARITY



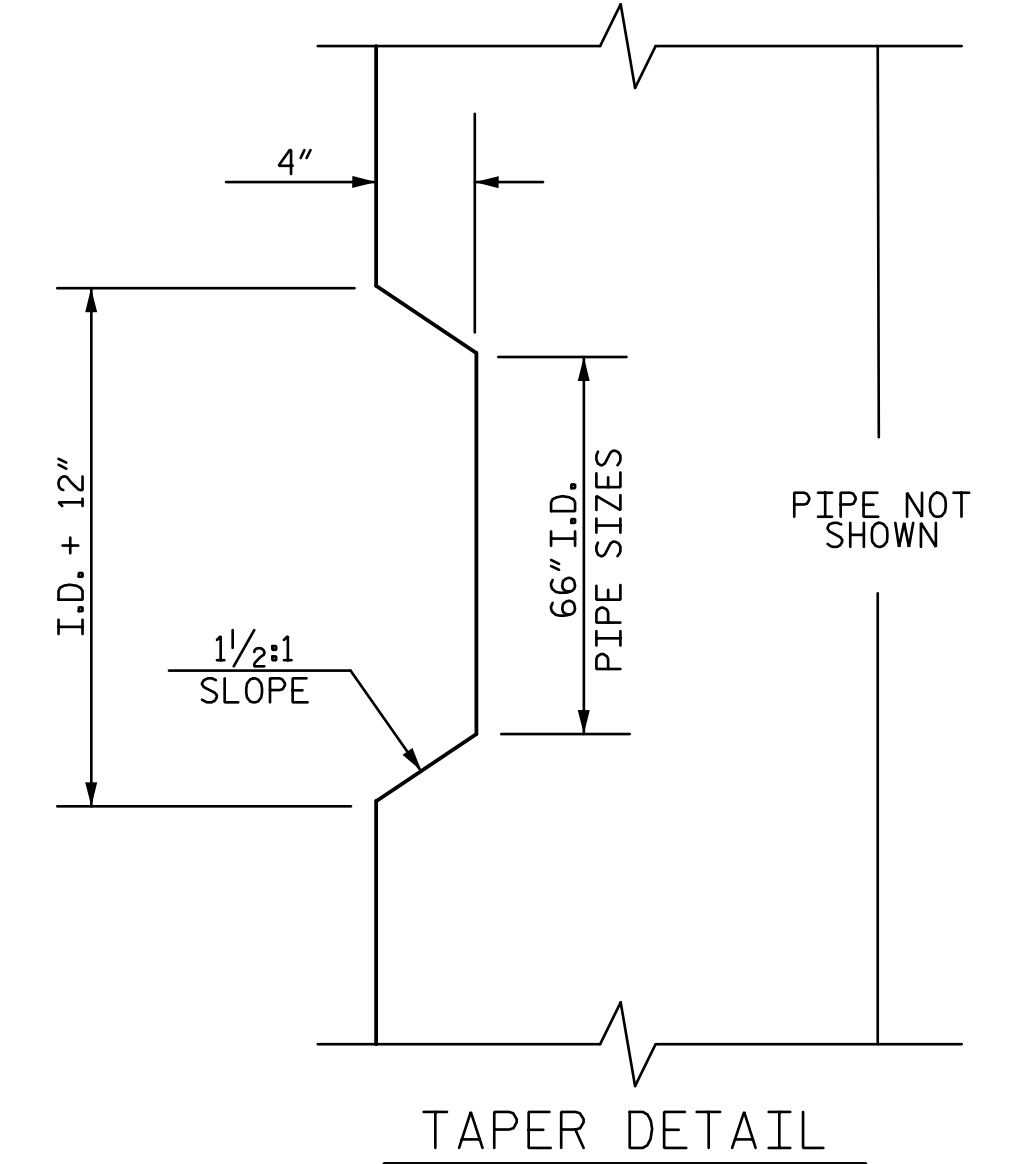
**SECTION A-A**

| BILL OF MATERIAL FOR INLET HEADWALL |     |      |      |        |        |     |
|-------------------------------------|-----|------|------|--------|--------|-----|
| BAR                                 | NO. | SIZE | TYPE | LENGTH | WEIGHT |     |
| B1                                  | 8   | #4   | STR  | 6'-1"  | 33     |     |
| B2                                  | 4   | #4   | STR  | 5'-1"  | 14     |     |
| B3                                  | 4   | #4   | STR  | 7'-0"  | 19     |     |
| G1                                  | 2   | #7   | STR  | 18'-6" | 76     |     |
| H1                                  | 10  | #4   | 1    | 6'-4"  | 42     |     |
| H2                                  | 2   | #4   | 1    | 4'-9"  | 6      |     |
| H3                                  | 4   | #4   | 1    | 2'-11" | 8      |     |
| N1                                  | 14  | #5   | 2    | 4'-5"  | 64     |     |
| N2                                  | 6   | #4   | 2    | 3'-11" | 16     |     |
| T1                                  | 6   | #4   | STR  | 23'-0" | 92     |     |
| T2                                  | 6   | #4   | STR  | 6'-0"  | 24     |     |
| T3                                  | 76  | #4   | STR  | 2'-6"  | 127    |     |
| V1                                  | 12  | #4   | STR  | 7'-3"  | 58     |     |
| V2                                  | 6   | #4   | STR  | 5'-8"  | 23     |     |
| V3                                  | 6   | #4   | STR  | 4'-7"  | 18     |     |
| V4                                  | 6   | #4   | STR  | 3'-4"  | 13     |     |
| Z1                                  | 6   | #6   | 3    | 4'-6"  | 41     |     |
| Z2                                  | 4   | #5   | 3    | 3'-11" | 16     |     |
| Z3                                  | 4   | #4   | 3    | 3'-3"  | 9      |     |
| REINFORCING STEEL                   |     |      |      |        | 699    | LBS |
| CLASS A CONCRETE                    |     |      |      |        | TOTAL  | 9.5 |
|                                     |     |      |      |        |        | CY  |

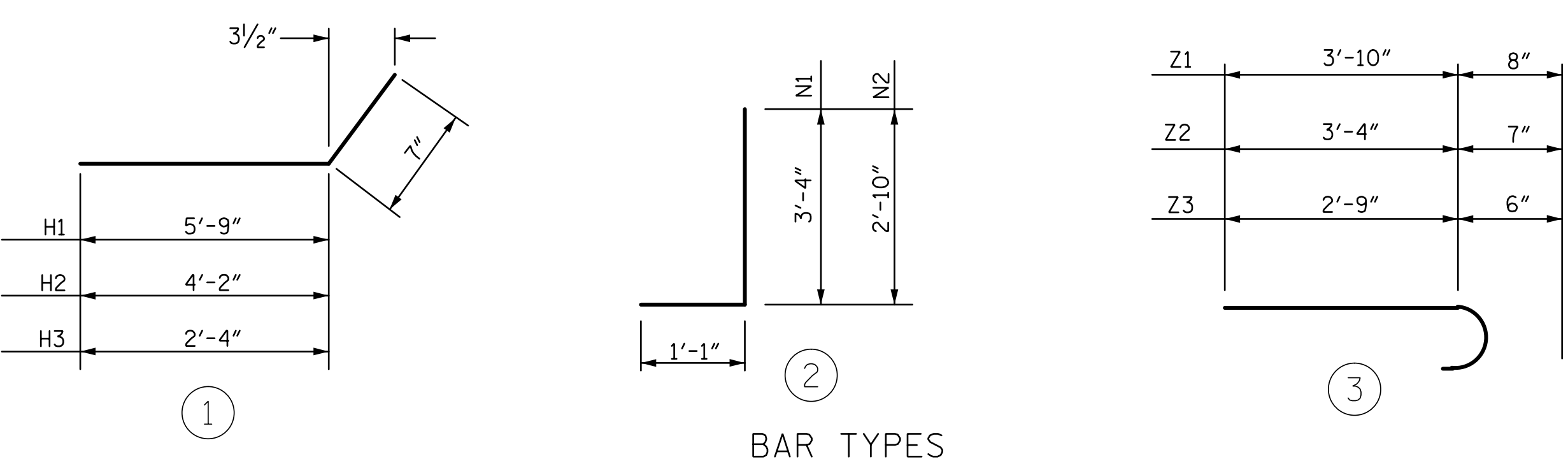


**PLAN**  
DIMENSIONS AND REINFORCING STEEL SYMMETRICAL ABOUT CL HEADWALL.

**NOTES**  
NO SEPARATE PAYMENT WILL BE MADE FOR REINFORCING STEEL OR CLASS A CONCRETE. THE ENTIRE COST OF THESE ITEMS SHALL BE PAID FOR UNDER THE LUMP SUM PRICE BID FOR CORRUGATED ALUMINUM PIPE CULVERT.  
CHAMFER ALL EXPOSED CORNERS 1".  
PLACE A STONE DRAIN CONSISTING OF ONE (1) CUBIC FOOT OF NUMBER 78M STONE CONTAINED IN A POROUS FABRIC AT EACH WEEP HOLE. PLACE SUBDRAIN FINE AGGREGATE BENEATH AND OVER THE STONE DRAIN SO THE STONE DRAIN IS COMPLETELY COVERED BY A LAYER OF SUBDRAIN FINE AGGREGATE AT LEAST ONE (1) FOOT THICK. WHERE THERE IS MORE THAN ONE WEEP HOLE IN A WING WALL, PLACE A HORIZONTAL DRAIN OF SUBDRAIN FINE AGGREGATE AT LEAST ONE (1) FOOT SQUARE IN CROSS SECTION TO CONNECT ALL STONE DRAINS. PLACE A VERTICAL DRAIN OF SUBDRAIN FINE AGGREGATE AT LEAST ONE (1) FOOT SQUARE IN CROSS SECTION AT EACH WEEP HOLE TO AN ELEVATION OF TWO (2) FEET BELOW THE SURFACE OF THE EMBANKMENT.

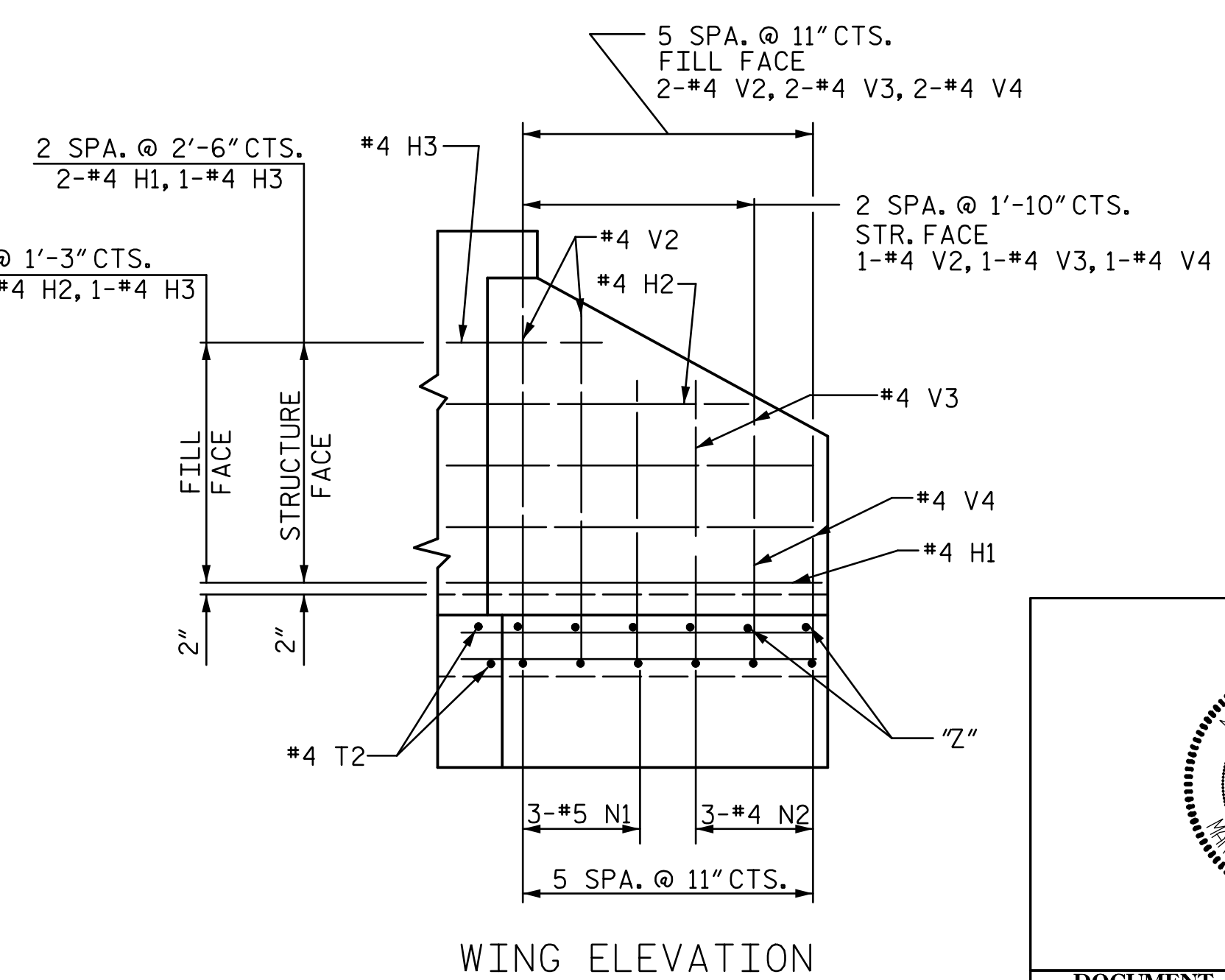


**TAPER DETAIL**



**BAR TYPES**

ALL DIMENSIONS ARE SHOWN OUT TO OUT



**WING ELEVATION**

PROJECT NO. A-0009CA  
GRAHAM COUNTY  
STATION: 144+74.50 -L-

SHEET 2 OF 4

STATE OF NORTH CAROLINA  
DEPARTMENT OF TRANSPORTATION  
RALEIGH

**CORRUGATED ALUMINUM PIPE CULVERT  
94° SKEW  
INLET HEADWALL**

6/1/2022

ENGINEER  
MARSHALL G. CHECK, JR.  
20125

REVISIONS

| NO. | BY: | DATE: | NO. | BY: | DATE: |
|-----|-----|-------|-----|-----|-------|
| 1   |     |       | 3   |     |       |
| 2   |     |       | 4   |     |       |

SHEET NO. C5-2  
TOTAL SHEETS 4

DRAWN BY : ZCS DATE : 12/21  
CHECKED BY : MGC DATE : 1/22