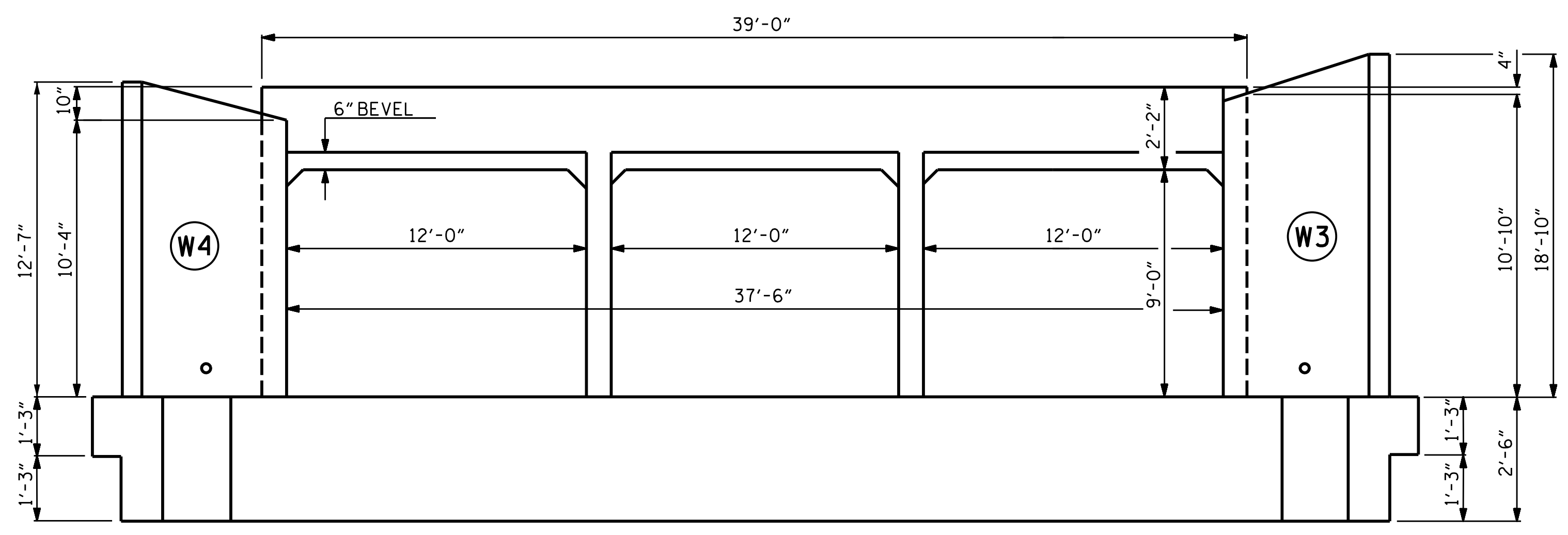
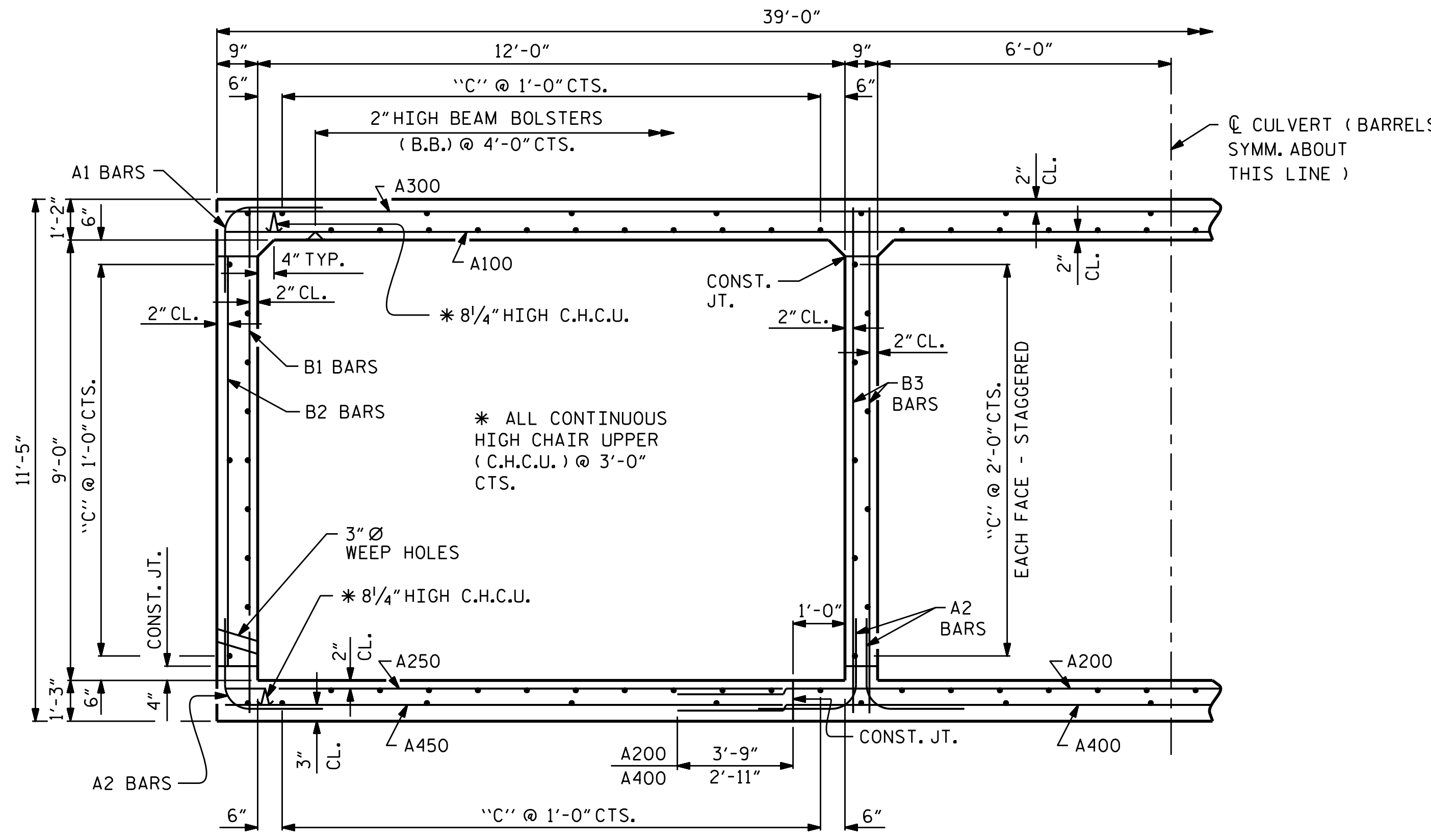


**CULVERT EXTENSION SECTION NORMAL TO ROADWAY**

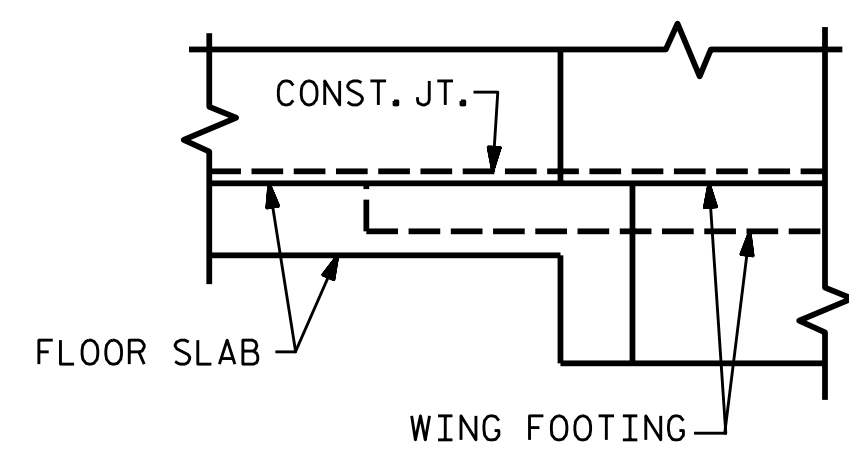
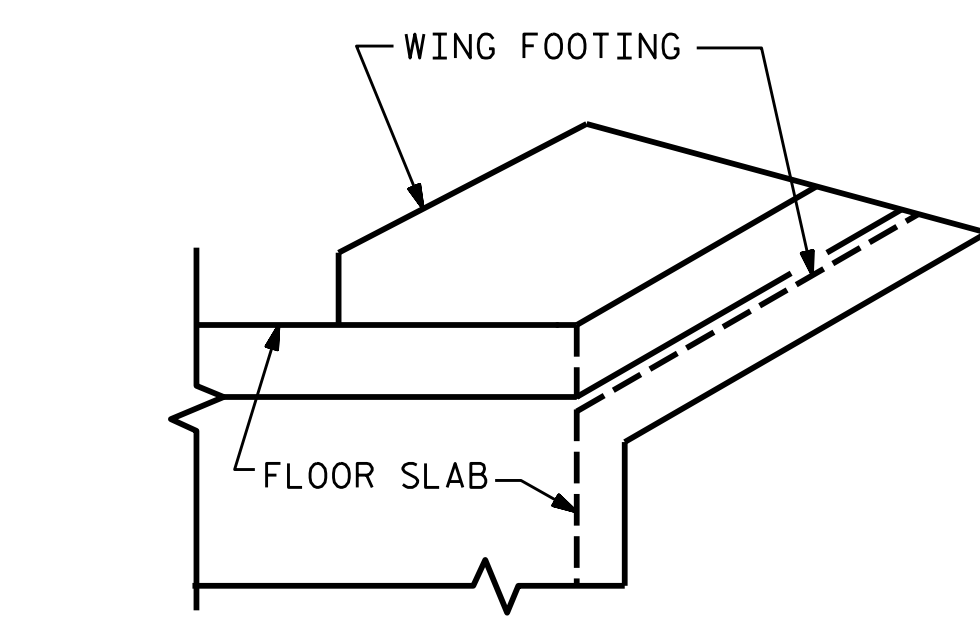


**INLET END ELEVATION**



**RIGHT ANGLE SECTION OF BARREL**

THERE ARE 138 "C" IN SECTION OF BARREL.  
(LOOKING DOWNSTREAM)

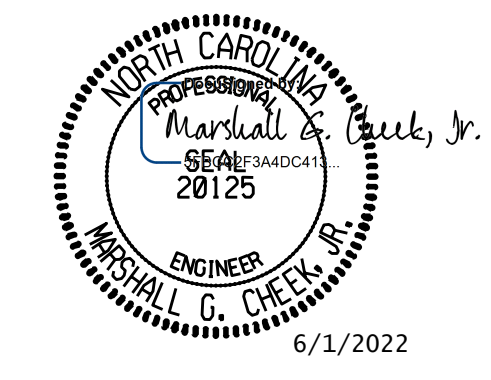


**DETAIL**

**CONNECTION OF WING FOOTING AND FLOOR SLAB WHEN SLAB IS THICKER THAN FOOTING**

PROJECT NO. A-0009CA  
GRAHAM COUNTY  
 STATION: 46+41.00 -L-

SHEET 8 OF 14



STATE OF NORTH CAROLINA  
 DEPARTMENT OF TRANSPORTATION  
 RALEIGH  
**TRIPLE 12 FT. X 9 FT. CONCRETE BOX CULVERT RIGHT EXTENSION**  
**45°-10'-48" SKEW**

DRAWN BY: STM DATE: 04/21  
 CHECKED BY: MGC DATE: 02/22  
 DESIGN ENGINEER OF RECORD: STM DATE: 04/21

DOCUMENT NOT CONSIDERED FINAL UNLESS ALL SIGNATURES COMPLETED  
**TGS ENGINEERS**  
 706 HILLSBOROUGH STREET  
 SUITE 200  
 RALEIGH, NC 27603  
 PH (919) 773-8887  
 CORP. LICENSE NO.: C-0275

REVISIONS						SHEET NO.
NO.	BY:	DATE:	NO.	BY:	DATE:	C2-8
1			3			TOTAL SHEETS
2			4			14