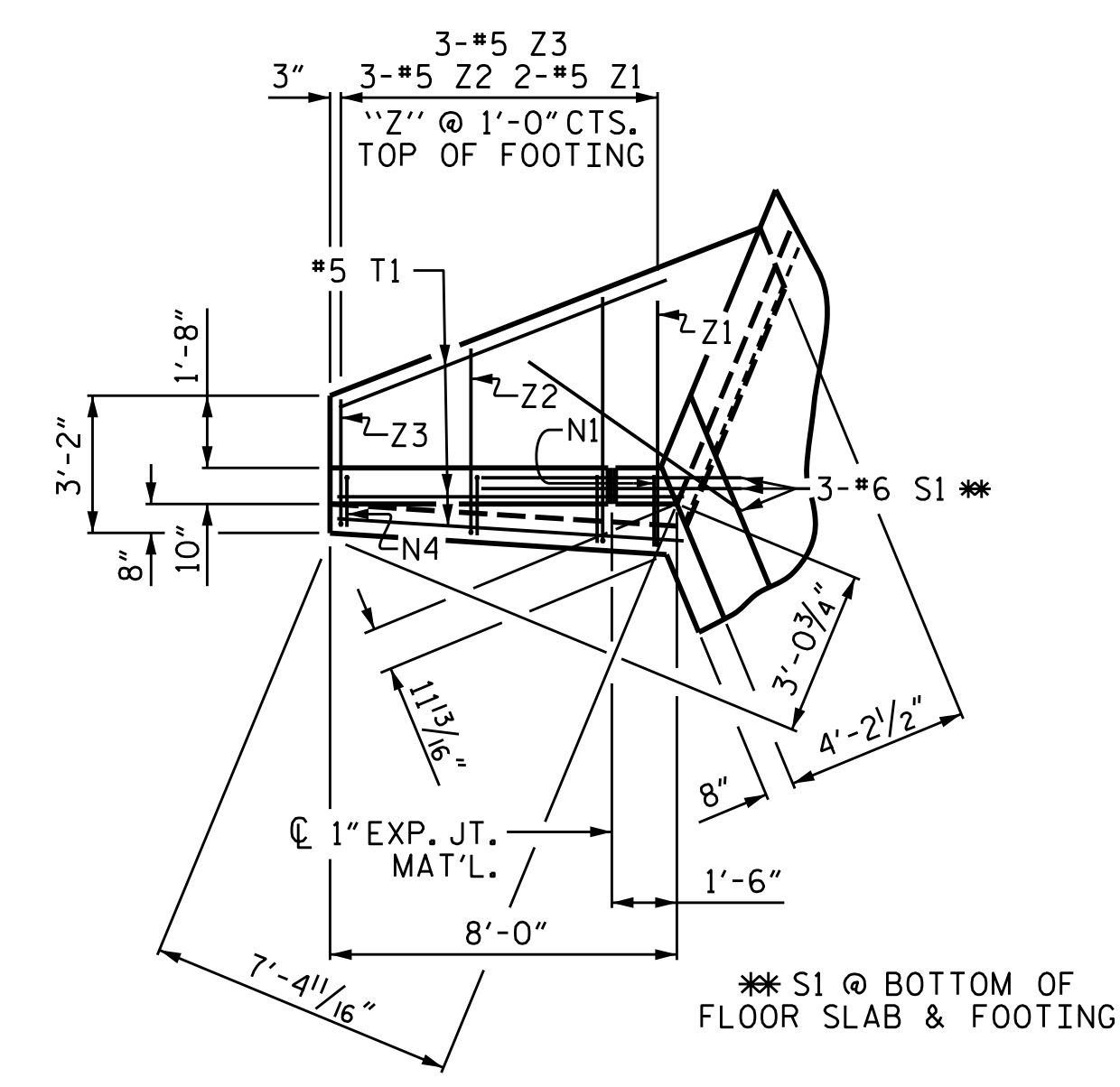
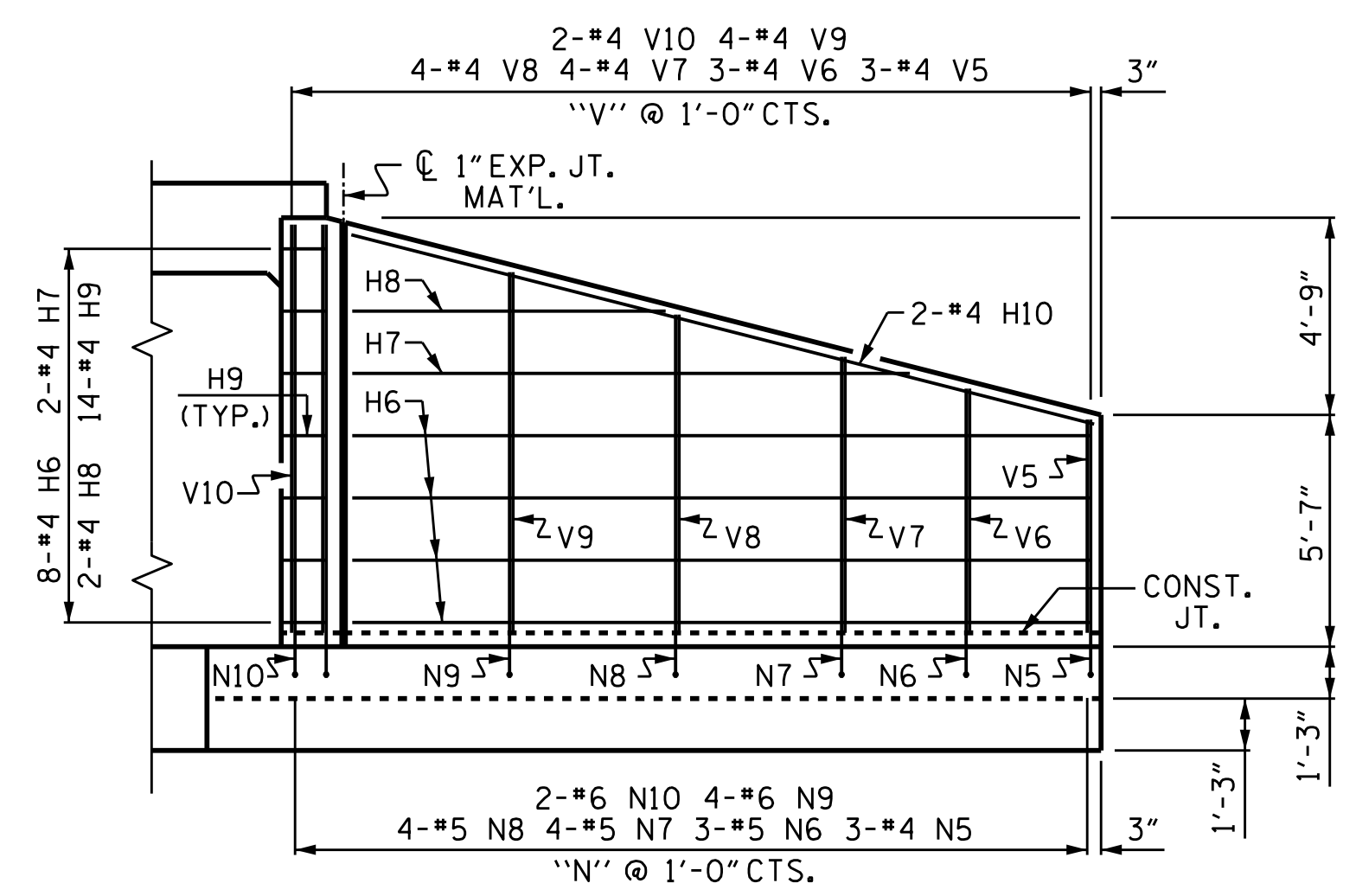


**PLAN W1**

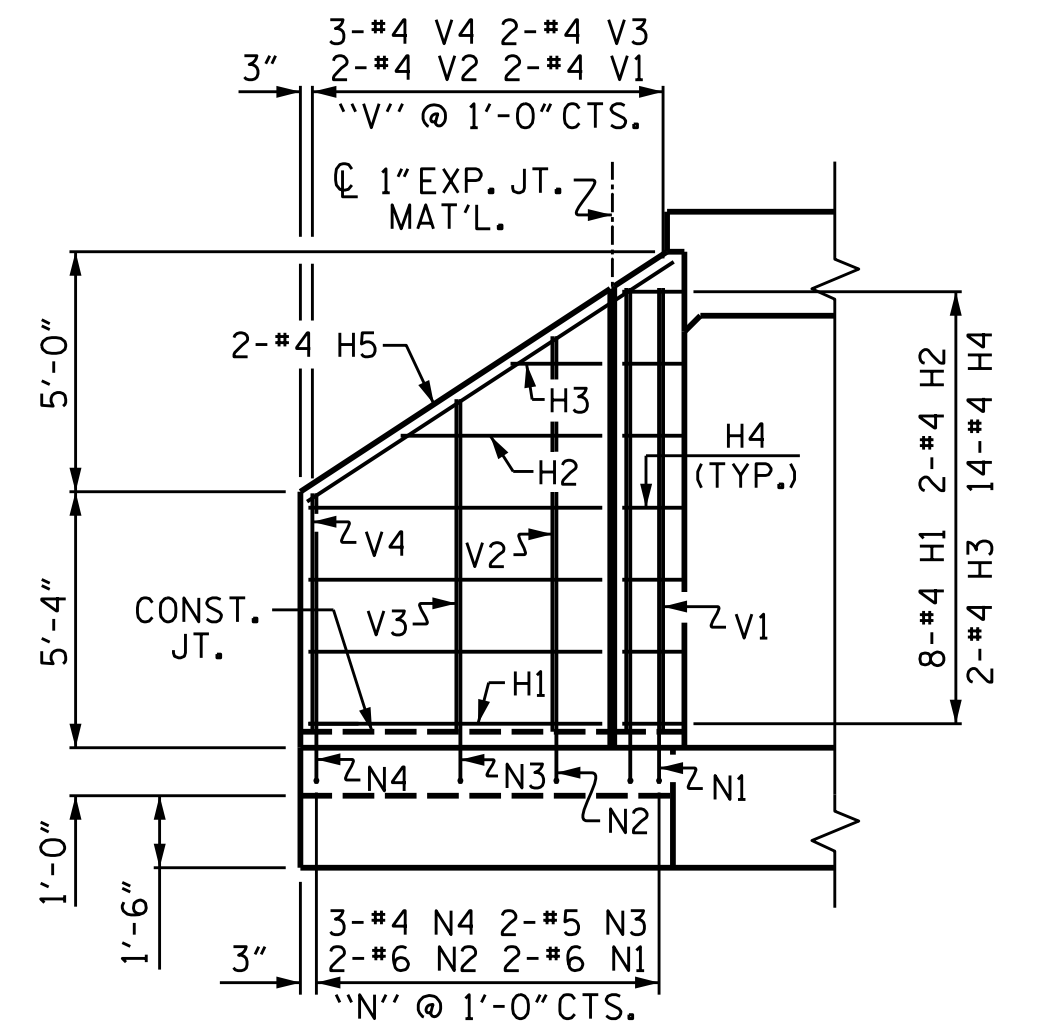
\* CENTER ALL #6 C1 ON C COUNTERFORT



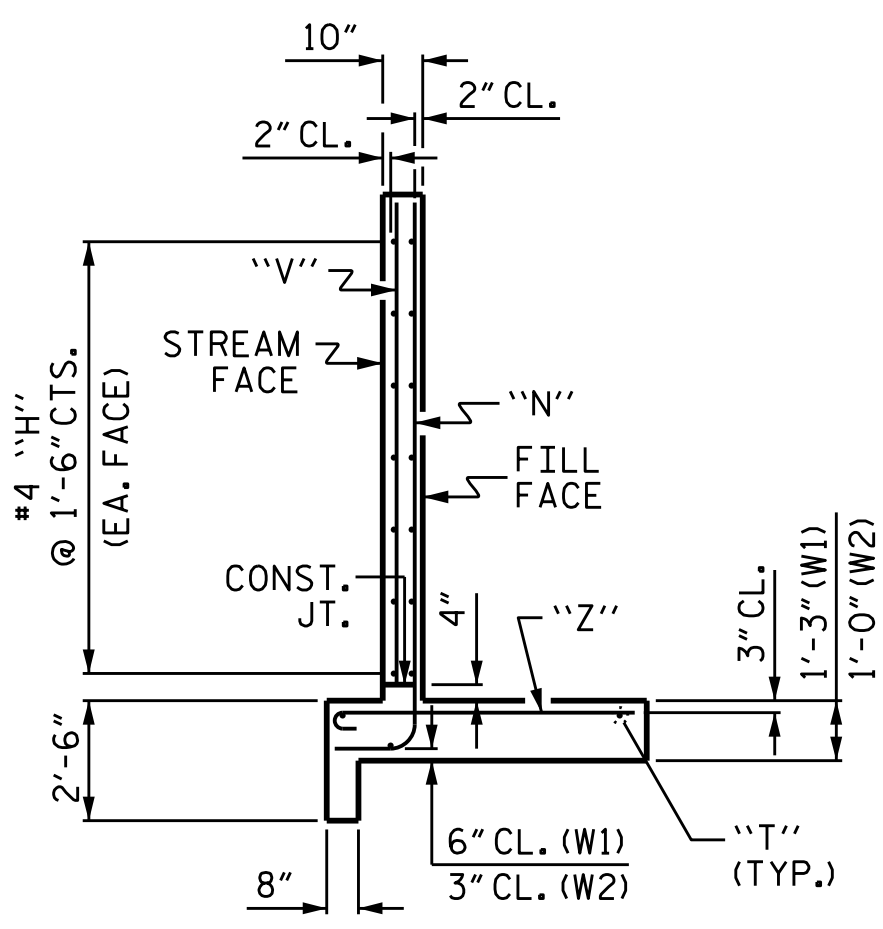
**PLAN W2**



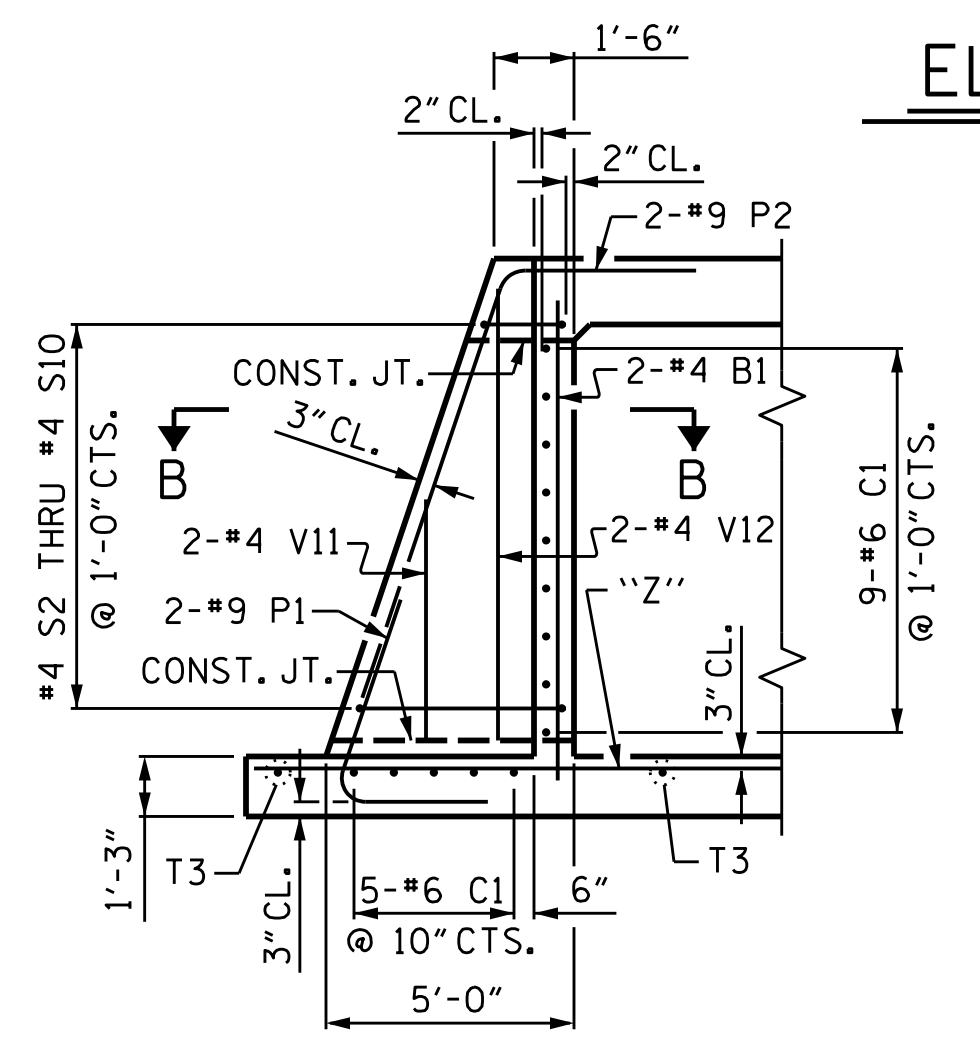
**ELEVATION W1**



**ELEVATION W2**

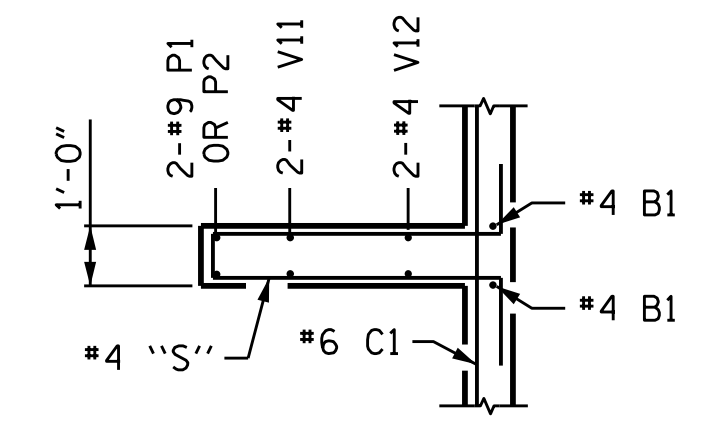


**WING SECTION**



**SECTION A-A**

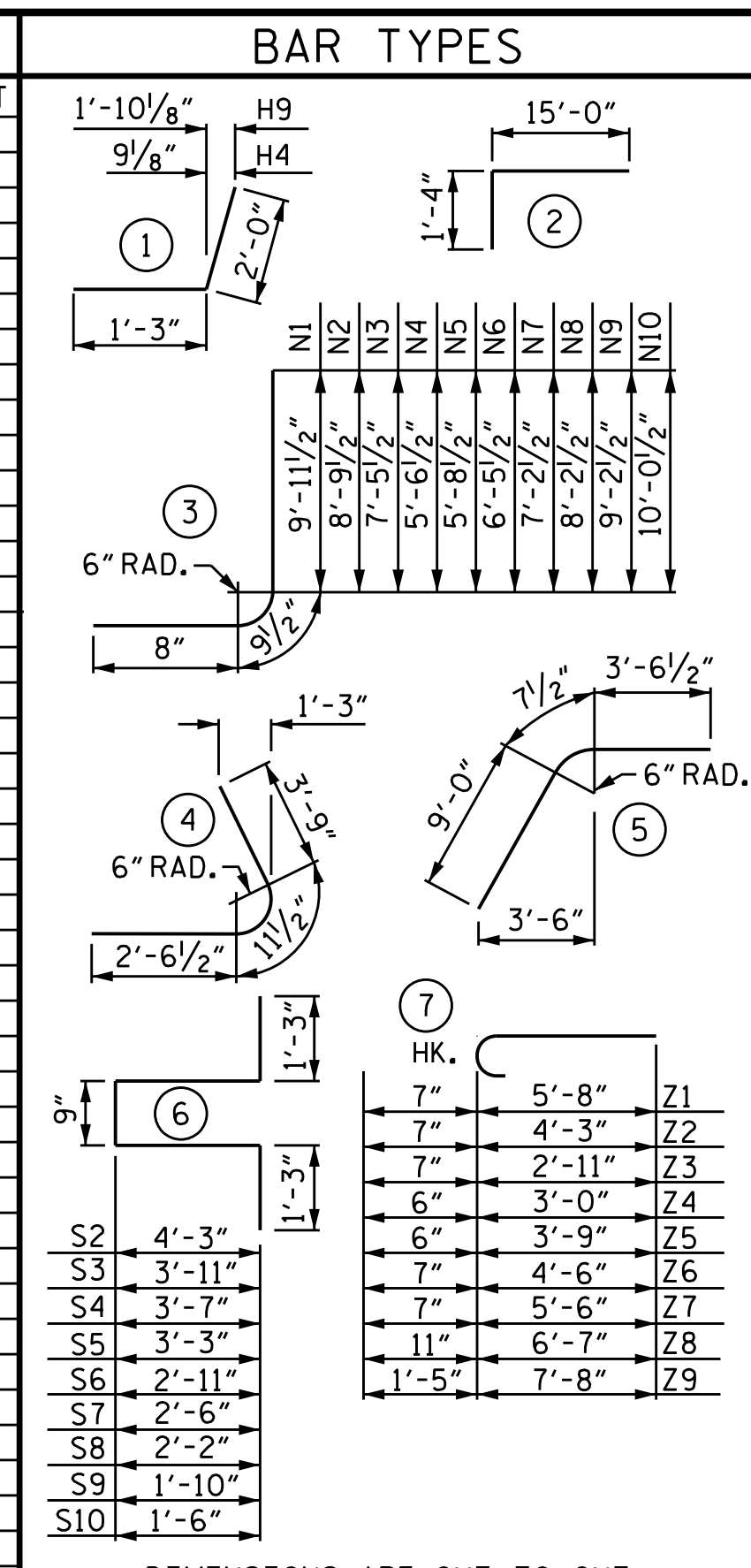
STANDARD REINFORCING STEEL IN BARREL NOT SHOWN



**SECTION B-B**

BILL OF MATERIAL					
BAR	NO.	SIZE	TYPE	LENGTH	WEIGHT
B1	2	#4	STR	10'-0"	13
C1	14	#6	STR	9'-0"	189
H6	8	#4	STR	17'-10"	95
H7	2	#4	STR	13'-5"	18
H8	2	#4	STR	7'-6"	10
H9	14	#4	1	3'-3"	30
H10	2	#4	STR	18'-5"	25
M1	5	#8	2	16'-4"	218
N5	3	#4	3	7'-2"	14
N6	3	#5	3	7'-11"	25
N7	4	#5	3	8'-8"	36
N8	4	#5	3	9'-8"	40
N9	4	#6	3	10'-8"	64
N10	2	#6	3	11'-6"	35
P1	2	#9	4	7'-3"	49
P2	2	#9	5	13'-2"	90
S2	1	#4	6	11'-9"	8
S3	1	#4	6	11'-1"	7
S4	1	#4	6	10'-5"	7
S5	1	#4	6	9'-9"	7
S6	1	#4	6	9'-1"	6
S7	1	#4	6	8'-3"	6
S8	1	#4	6	7'-7"	5
S9	1	#4	6	6'-11"	5
S10	1	#4	6	6'-3"	4
T2	4	#5	STR	19'-8"	82
T3	2	#5	STR	13'-0"	27
V5	3	#4	STR	5'-1"	10
V6	3	#4	STR	5'-9"	12
V7	4	#4	STR	6'-6"	17
V8	4	#4	STR	7'-5"	20
V9	4	#4	STR	8'-5"	22
V10	2	#4	STR	9'-4"	12
V11	2	#4	STR	3'-0"	4
V12	2	#4	STR	7'-3"	10
Z4	3	#4	7	3'-6"	7
Z5	3	#4	7	4'-3"	9
Z6	4	#5	7	5'-1"	21
Z7	4	#5	7	6'-1"	25
Z8	4	#8	7	7'-6"	80
Z9	5	#10	7	9'-1"	195
Z10	5	#10	STR	10'-1"	217
Z11	5	#10	STR	9'-4"	201
Z12	4	#10	STR	8'-7"	148
REINFORCING STEEL FOR 1 W1 WING					2,125 LBS.

LONG WING W1



DIMENSIONS ARE OUT TO OUT

BAR	NO.	SIZE	TYPE	LENGTH	WEIGHT
H1	8	#4	STR	6'-1"	33
H2	2	#4	STR	4'-2"	6
H3	2	#4	STR	1'-11"	3
H4	14	#4	1	3'-3"	30
H5	2	#4	STR	9'-1"	12
N1	2	#6	3	11'-5"	34
N2	2	#6	3	10'-3"	31
N3	2	#5	3	8'-11"	19
N4	3	#4	3	7'-0"	14
S1	3	#6	STR	6'-0"	27
T1	3	#5	STR	8'-0"	25
V1	2	#4	STR	9'-2"	12
V2	2	#4	STR	7'-11"	11
V3	2	#4	STR	6'-8"	9
V4	3	#4	STR	4'-10"	10
Z1	2	#5	7	6'-3"	13
Z2	3	#5	7	4'-10"	15
Z3	3	#5	7	3'-6"	11
REINFORCING STEEL FOR 1 W2 WING					315 LBS.

SHORT WING W2

**NOTES**

A 3 FOOT STRIP OF FILTER FABRIC SHALL BE ATTACHED TO THE FILL FACE OF THE WING COVERING THE ENTIRE LENGTH OF THE EXPANSION JOINT.  
G1 BARS IN HEADWALL ARE INCLUDED WITH THE BARREL REINFORCING STEEL.

WING QUANTITIES	
REINFORCING STEEL FOR 2 WINGS	2,440 LBS.
CLASS A CONCRETE	
2 WINGS	20.8 C.Y.
1 END CURTAIN WALL	3.1 C.Y.
1 HEADWALL	2.5 C.Y.
<b>TOTAL</b>	<b>26.4 C.Y.</b>

PROJECT NO. A-0009CA  
GRAHAM COUNTY  
 STATION: 46+41.00 -L-

SHEET 7 OF 14

STATE OF NORTH CAROLINA  
 DEPARTMENT OF TRANSPORTATION  
 RALEIGH

**WINGS FOR LEFT EXTENSION**  
 H = 9'-0" SLOPE = 1.5:1  
 45° SKEW

6/1/2022

DOCUMENT NOT CONSIDERED FINAL UNLESS ALL SIGNATURES COMPLETED

TGS ENGINEERS  
 706 HILLSBOROUGH STREET  
 SUITE 200  
 RALEIGH, NC 27603  
 PH (919) 773-8887  
 CORP. LICENSE NO.: C-0275

REVISIONS						SHEET NO.
NO.	BY:	DATE:	NO.	BY:	DATE:	TOTAL SHEETS
1			3			14
2			4			

ASSEMBLED BY : STM DATE : 09/21  
 CHECKED BY : MGC DATE : 02/22