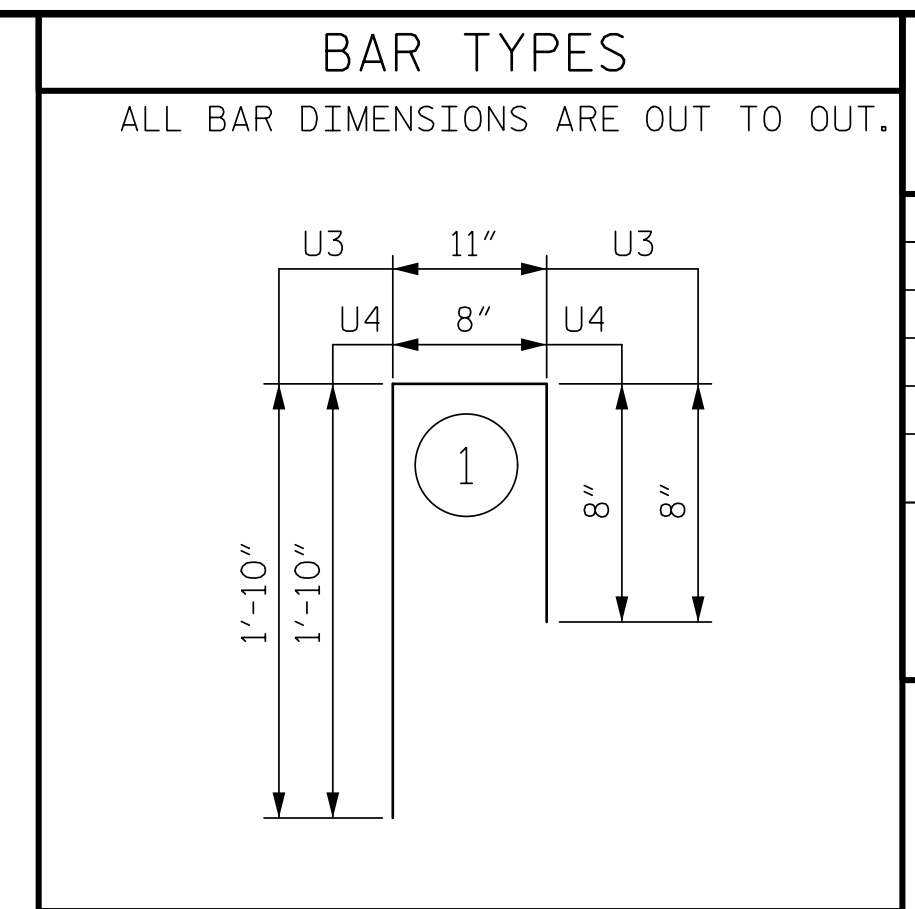


SECTION D-D



BILL OF MATERIAL FOR EXISTING OUTLET HEADWALL EXTENSION

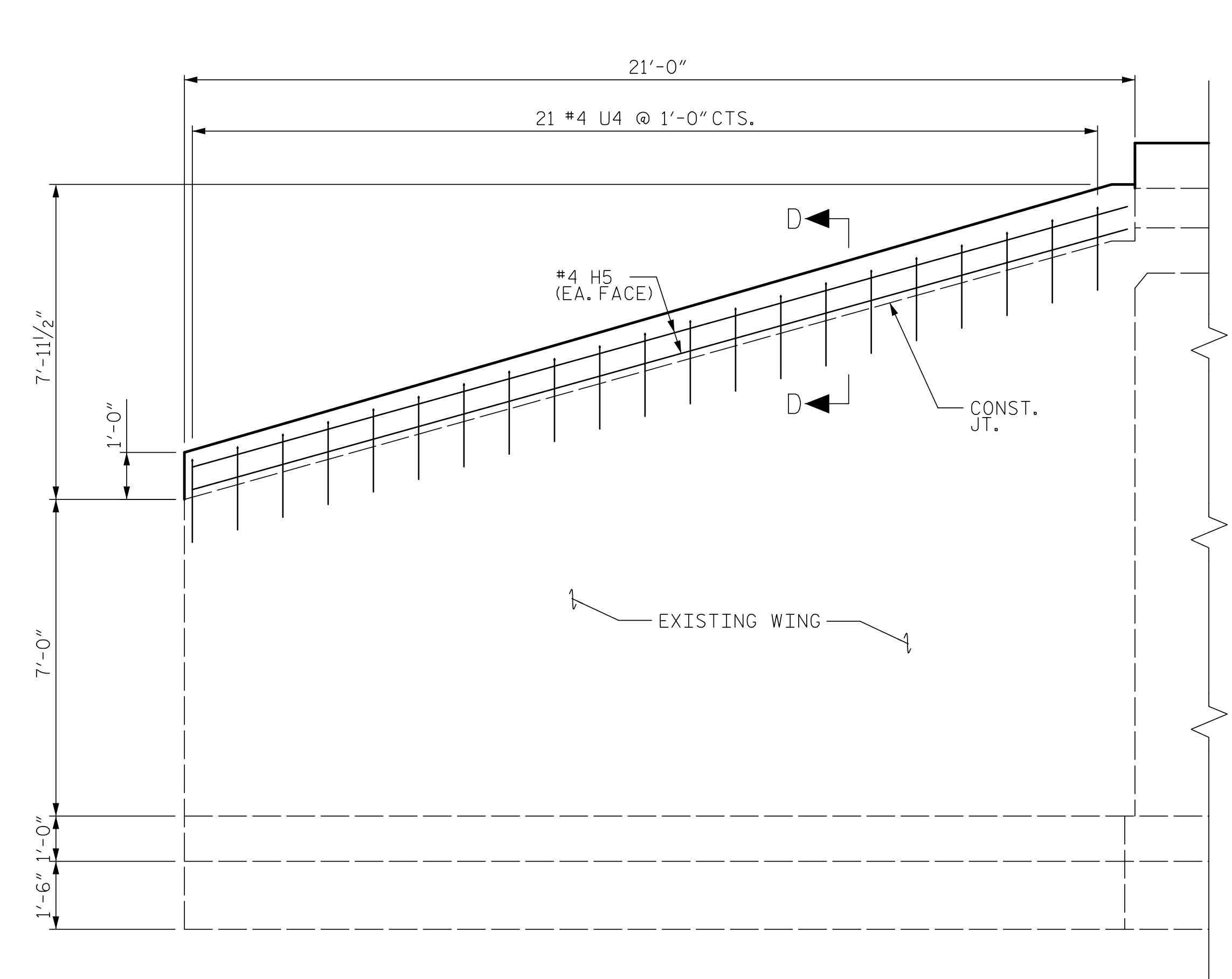
BAR	NO.	SIZE	TYPE	LENGTH	WEIGHT
H1	8	#4	STR	28'-4"	151
U3	55	#4	1	3'-5"	126
REINFORCING STEEL					277 LBS
CLASS A CONCRETE HEADWALL EXTENSION					2.6 CY
TOTAL					2.6 CY

BILL OF MATERIAL FOR EXISTING WING W3 EXTENSION

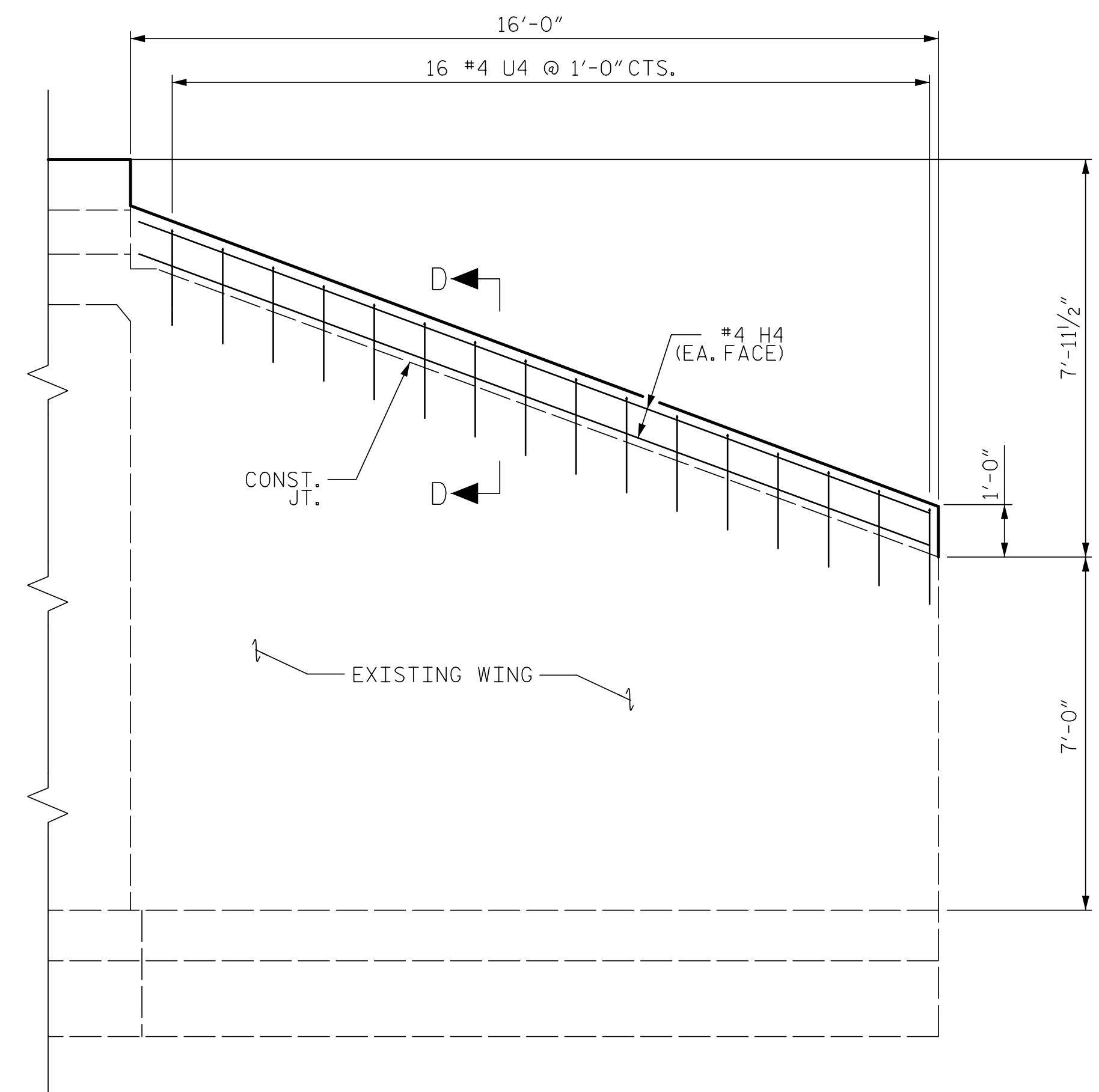
BAR	NO.	SIZE	TYPE	LENGTH	WEIGHT
H4	4	#4	STR	16'-8"	45
U4	16	#4	1	3'-2"	34
REINFORCING STEEL					79 LBS
CLASS A CONCRETE WING EXTENSION					0.6 CY
TOTAL					0.6 CY

BILL OF MATERIAL FOR EXISTING WING W4 EXTENSION

BAR	NO.	SIZE	TYPE	LENGTH	WEIGHT
H5	4	#4	STR	21'-1"	56
U4	21	#4	1	3'-2"	44
REINFORCING STEEL					100 LBS
CLASS A CONCRETE WING EXTENSION					0.8 CY
TOTAL					0.8 CY



ELEVATION W4



ELEVATION W3

PROJECT NO. A-0009CA
 GRAHAM COUNTY
 STATION: 17+34.70 -L-

SHEET 5 OF 5

STATE OF NORTH CAROLINA
 DEPARTMENT OF TRANSPORTATION
 RALEIGH

OUTLET END
 WING EXTENSIONS
 WINGS 3 & 4

6/1/2022

DOCUMENT NOT CONSIDERED FINAL
 UNLESS ALL SIGNATURES COMPLETED

TGS ENGINEERS
 804-C N. LAFAYETTE ST
 SHELBY, NC 28150
 PH (704) 476-0003
 CORP. LICENSE NO.: C-0275

REVISIONS						SHEET NO.
NO.	BY:	DATE:	NO.	BY:	DATE:	
1			3			C1-5
2			4			TOTAL SHEETS 5

DRAWN BY : ZCS DATE : 1/21
 CHECKED BY : MGC DATE : 4/22
 DESIGN ENGINEER OF RECORD : ZCS DATE : 4/22