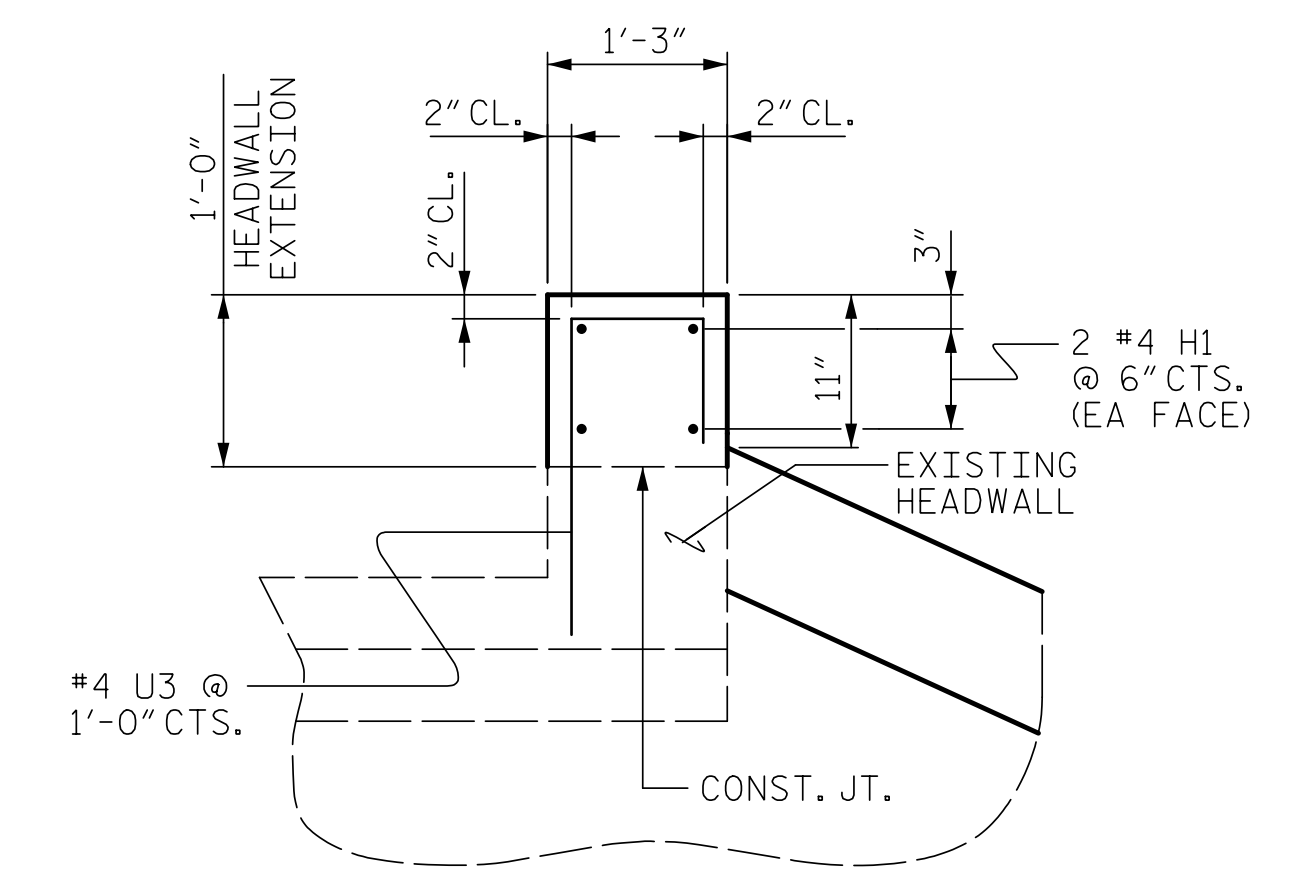
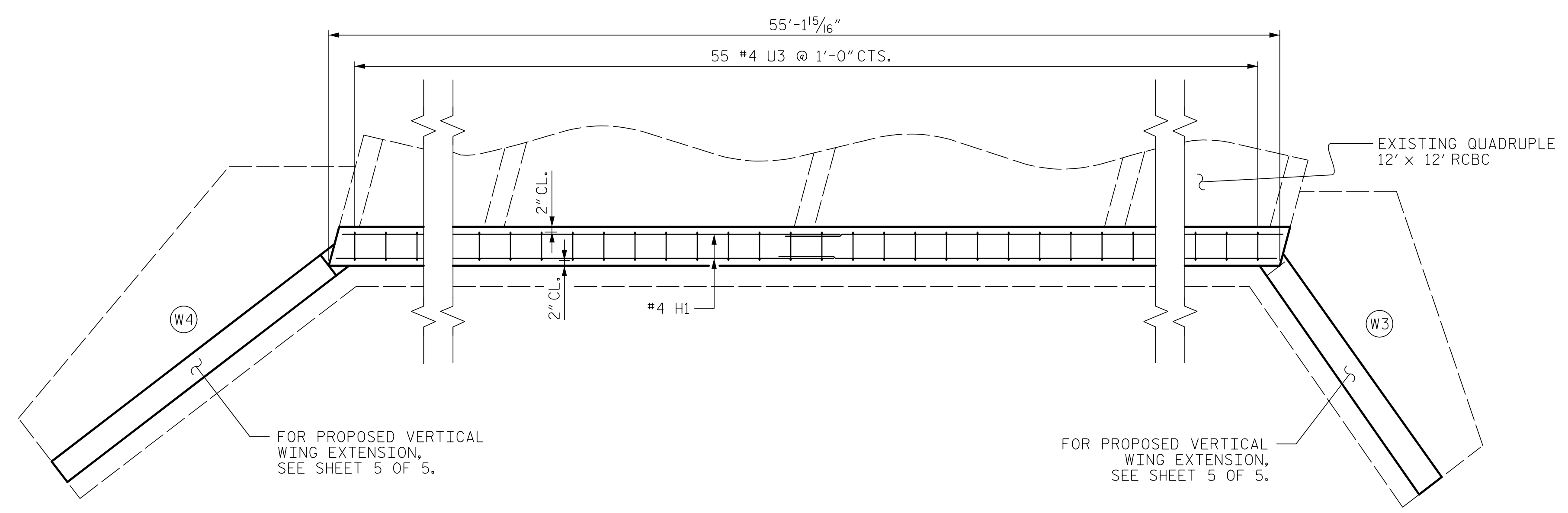


ELEVATION OF HEADWALL & WING EXTENSIONS - OUTLET END



SECTION C-C



PLAN OF HEADWALL & WING EXTENSIONS - OUTLET END

PROJECT NO. A-0009CA  
GRAHAM COUNTY  
 STATION: 17+34.70 -L-

SHEET 4 OF 5

6/1/2022

**DOCUMENT NOT CONSIDERED FINAL  
 UNLESS ALL SIGNATURES COMPLETED**

**TGS ENGINEERS**  
 804-C N. LAFAYETTE ST  
 SHELBY, NC 28150  
 PH (704) 476-0003  
 CORP. LICENSE NO.: C-0275

STATE OF NORTH CAROLINA DEPARTMENT OF TRANSPORTATION RALEIGH						SHEET NO. C1-4
VERTICAL EXTENSION OF EXISTING OUTLET HEADWALL						TOTAL SHEETS 5
REVISIONS						
NO.	BY:	DATE:	NO.	BY:	DATE:	
1			3			
2			4			

DRAWN BY : ZCS      DATE : 1/21  
 CHECKED BY : MGC      DATE : 4/22  
 DESIGN ENGINEER OF RECORD : ZCS      DATE : 4/22