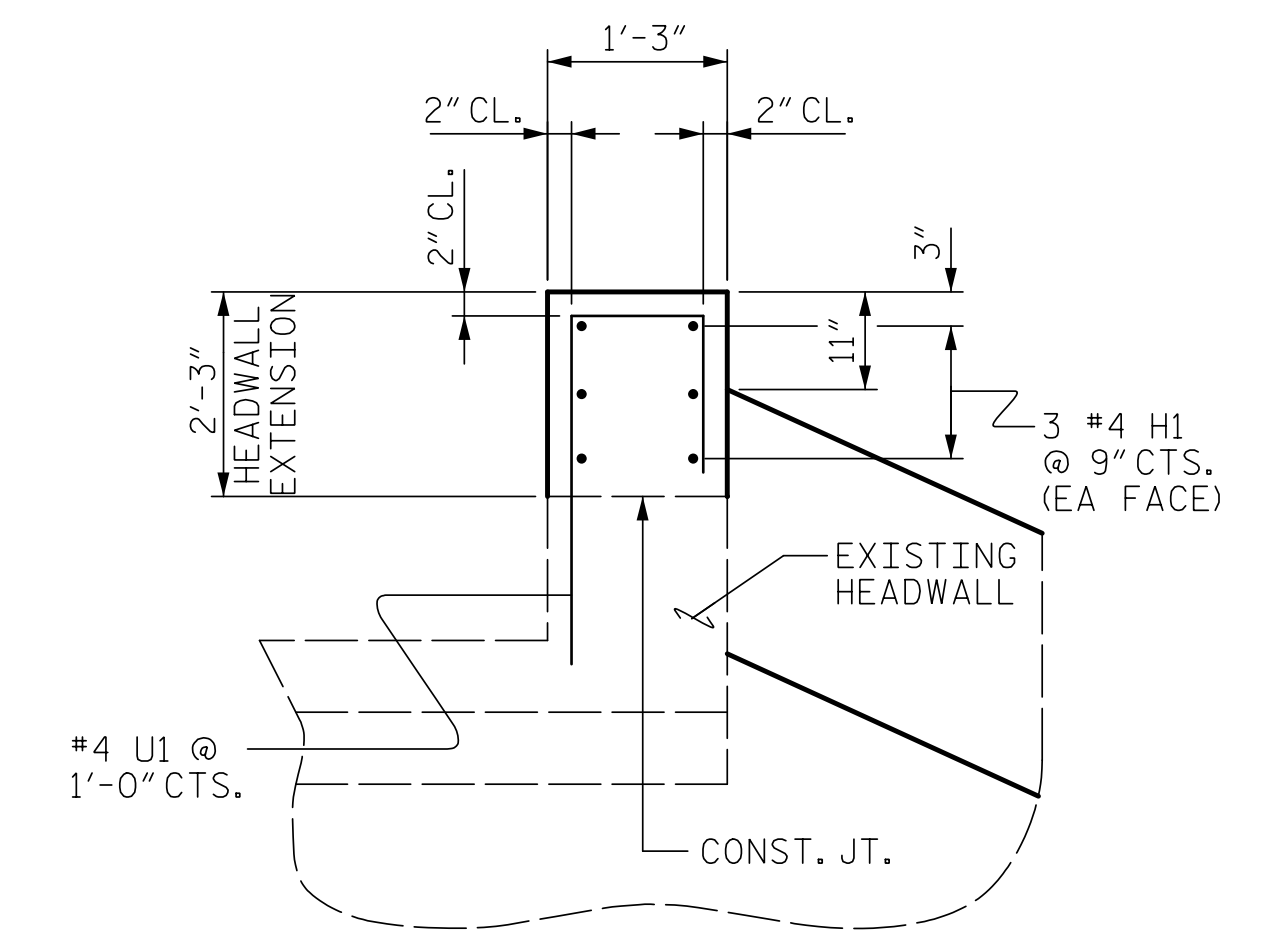
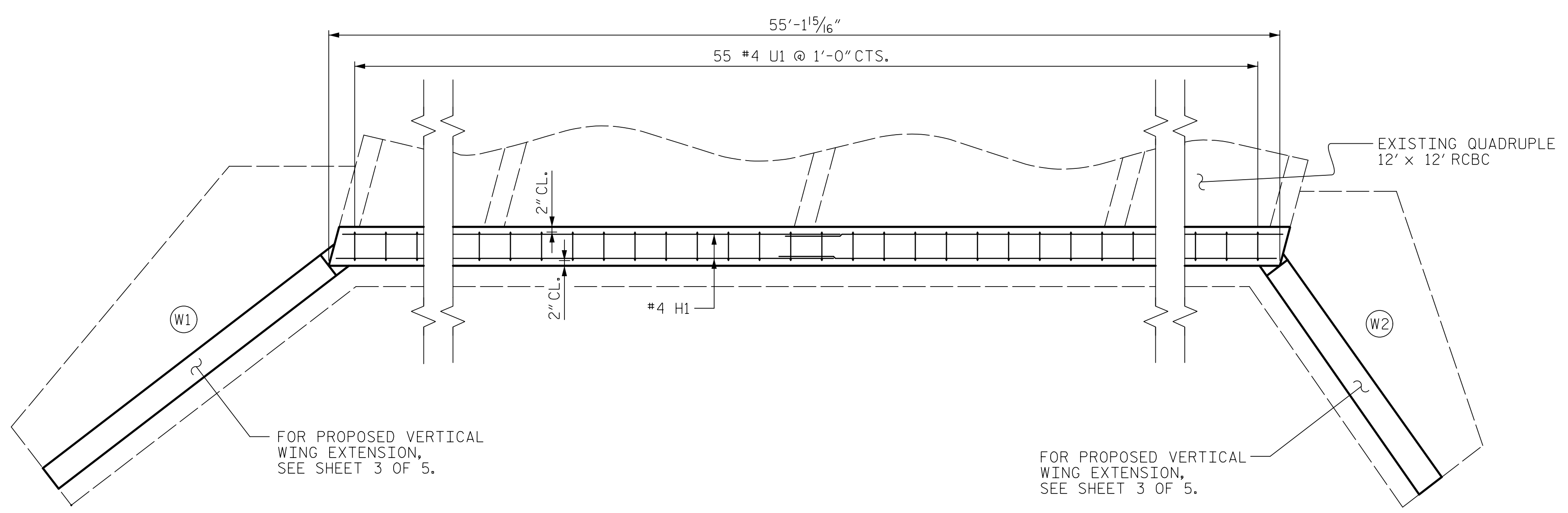


ELEVATION OF HEADWALL & WING EXTENSIONS - INLET END



SECTION A-A



PLAN OF HEADWALL & WING EXTENSIONS - INLET END

PROJECT NO. A-0009CA
GRAHAM COUNTY
 STATION: 17+34.70 -L-

SHEET 2 OF 5



STATE OF NORTH CAROLINA
 DEPARTMENT OF TRANSPORTATION
 RALEIGH
**VERTICAL EXTENSION
 OF EXISTING
 INLET
 HEADWALL**

DOCUMENT NOT CONSIDERED FINAL UNLESS ALL SIGNATURES COMPLETED						REVISIONS			SHEET NO.			
TGS ENGINEERS 804-C N. LAFAYETTE ST SHELBY, NC 28150 PH (704) 476-0003 CORP. LICENSE NO.: C-0275						NO.	BY:	DATE:	NO.	BY:	DATE:	C1-2
						1			3			TOTAL SHEETS
						2			4			5

DRAWN BY : ZCS DATE : 1/21
 CHECKED BY : MGC DATE : 4/22
 DESIGN ENGINEER OF RECORD : ZCS DATE : 4/22