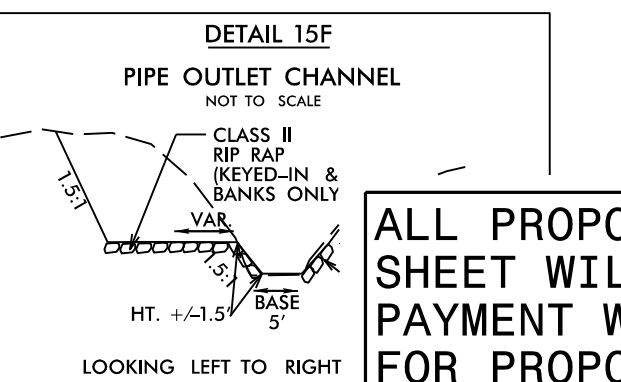
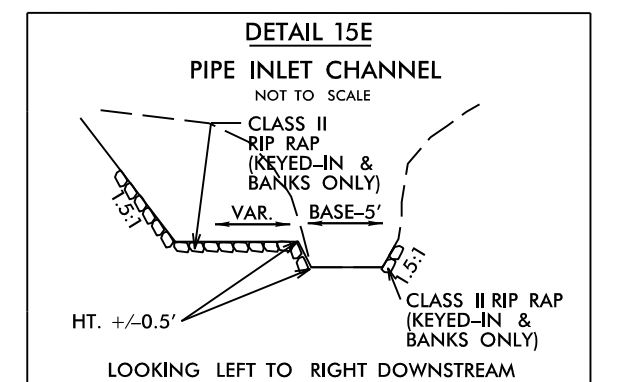
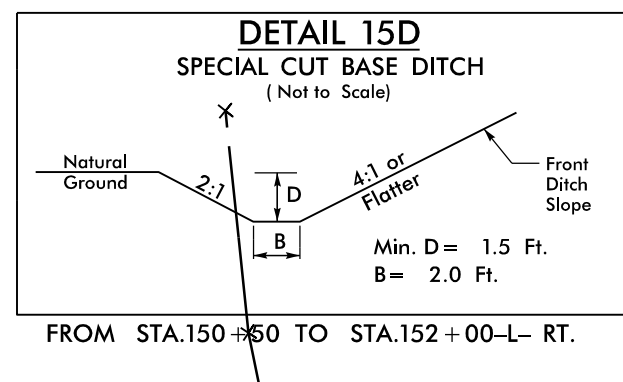
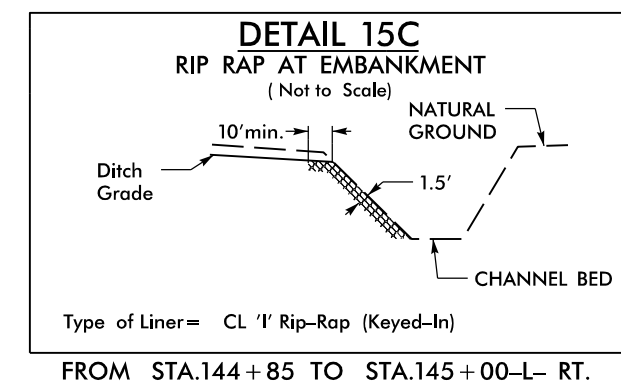
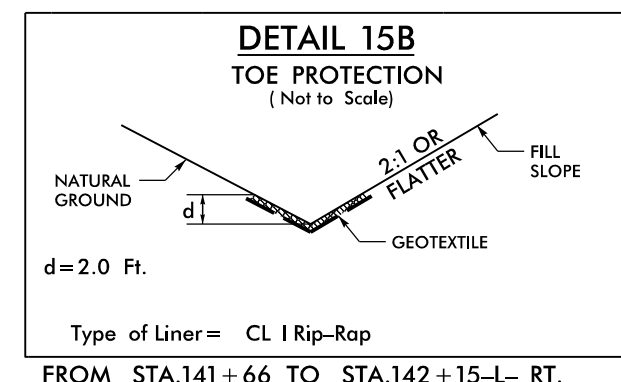
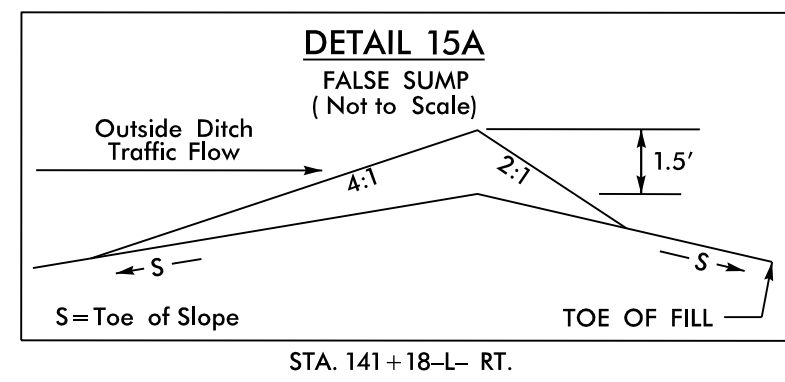


UTILITIES BY OTHERS

ALL PROPOSED UTILITY WORK SHOWN ON THIS SHEET WILL BE DONE BY OTHERS. NO PAYMENT WILL BE MADE TO THE CONTRACTOR FOR PROPOSED UTILITY WORK SHOWN ON THIS SHEET.

5/14/19



MATCH LINE STA -L- 138+00.00
MATCH TO SHEET UO-12

MATCH LINE STA -L- 152+00.00
MATCH TO SHEET UO-14

27-MAY-2022 16:03
C:\Users\pshh\OneDrive\Documents\Projects\A-0009CA\ut_rduj15_U0013.pshh.dgn

