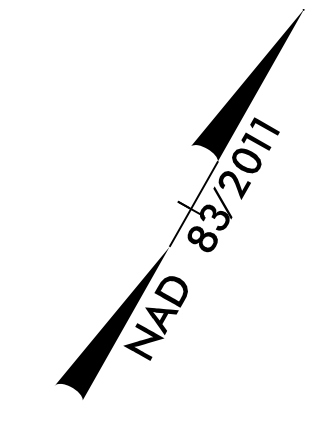


5/14/99
27-MAY-2022 15:37
C:\Users\jramm\OneDrive\Utilities\Engineering\UB0\ProJA-0009CA\rdy9_U007_esh.dgn
jramm

PROJECT REFERENCE NO.	SHEET NO.
A-0009CA	U0-7
THIS SHEET CORRESPONDS TO RDY-9	

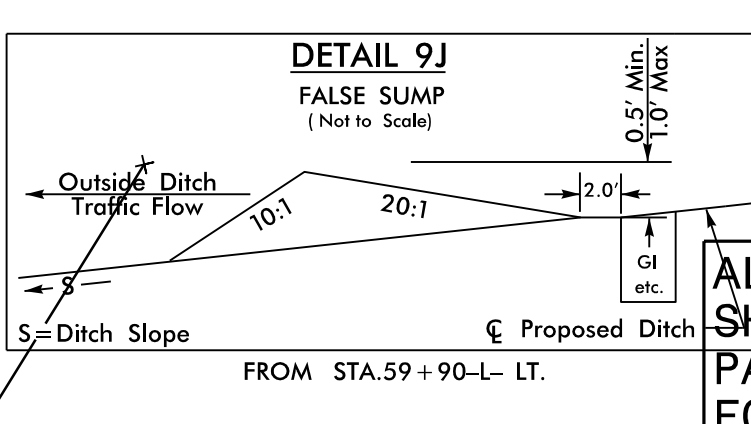
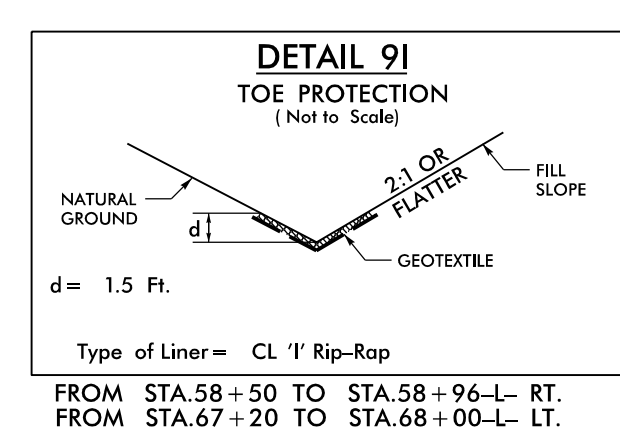
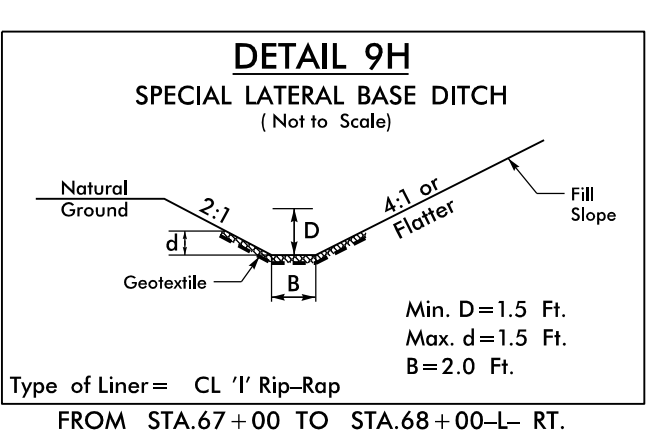
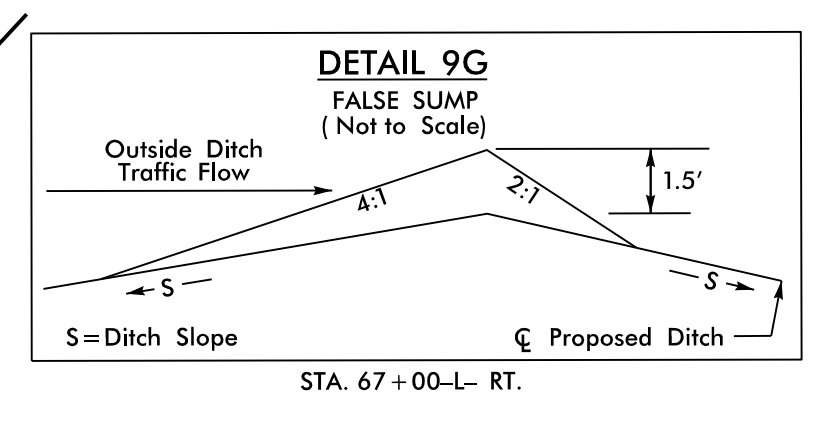
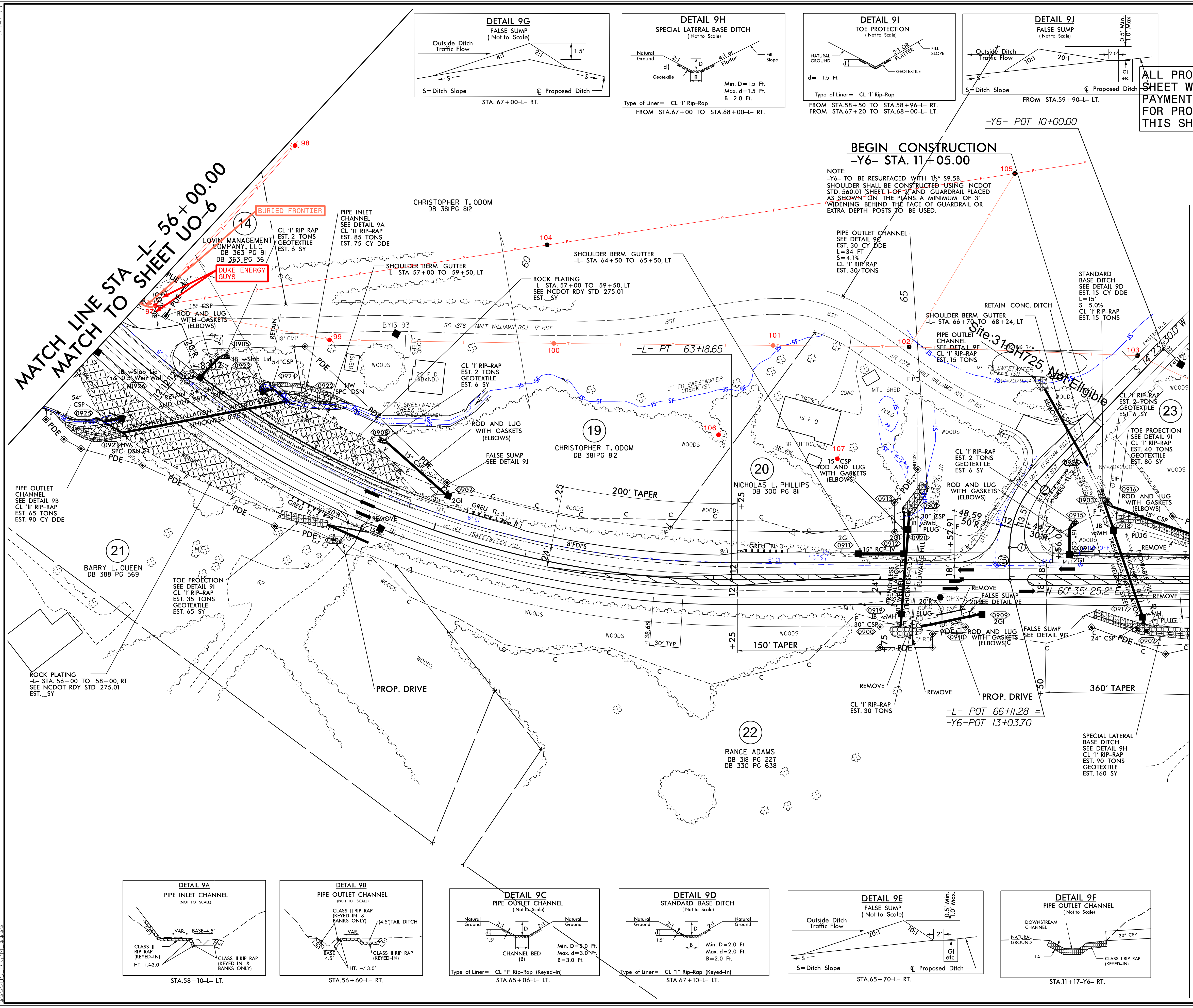
UTILITIES BY OTHERS

ALL PROPOSED UTILITY WORK SHOWN ON THIS SHEET WILL BE DONE BY OTHERS. NO PAYMENT WILL BE MADE TO THE CONTRACTOR FOR PROPOSED UTILITY WORK SHOWN ON THIS SHEET.



MATCH LINE STA L- 56+00.00
MATCH TO SHEET UO-6

MATCH LINE STA L- 68+00.00
MATCH TO SHEET UO-8



BEGIN CONSTRUCTION
-Y6- STA. 11+05.00

NOTE:
-Y6- TO BE RESURFACED WITH 1 1/2" S9.5B. SHOULDER SHALL BE CONSTRUCTED USING NCDOT STD. 560.01 (SHEET 1 OF 2) AND GUARDRAIL PLACED AS SHOWN ON THE PLANS. A MINIMUM OF 3' WIDENING BEHIND THE FACE OF GUARDRAIL OR EXTRA DEPTH POSTS TO BE USED.

