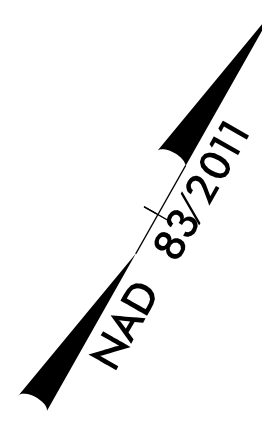
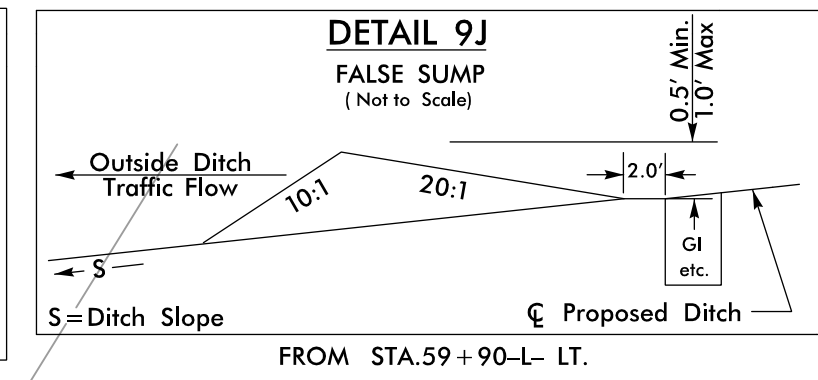
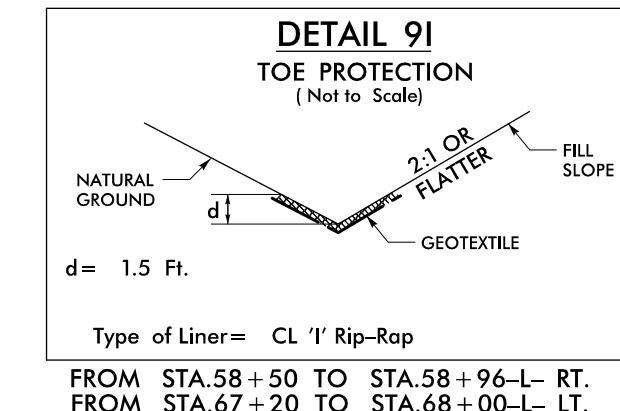
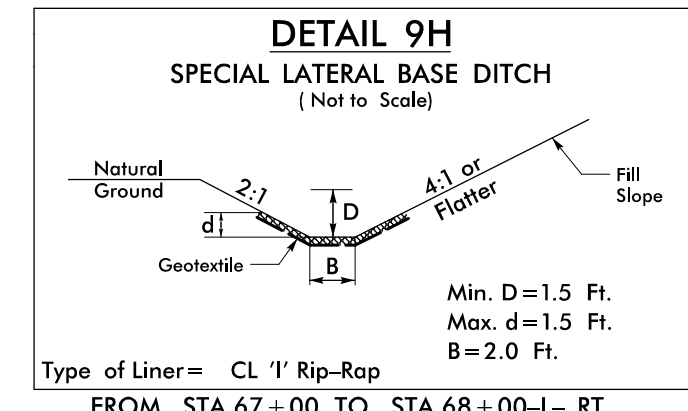
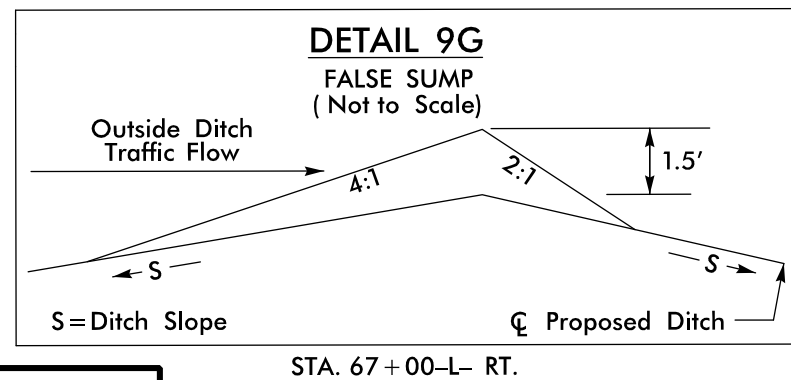
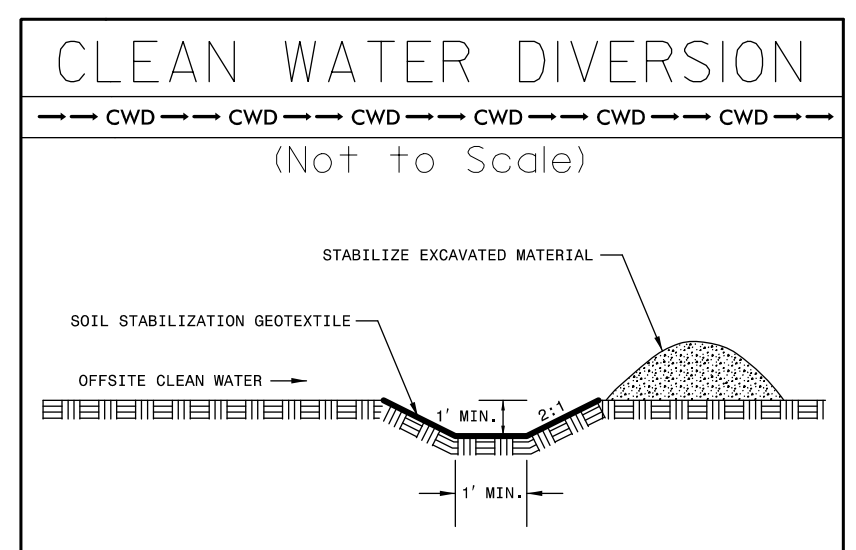
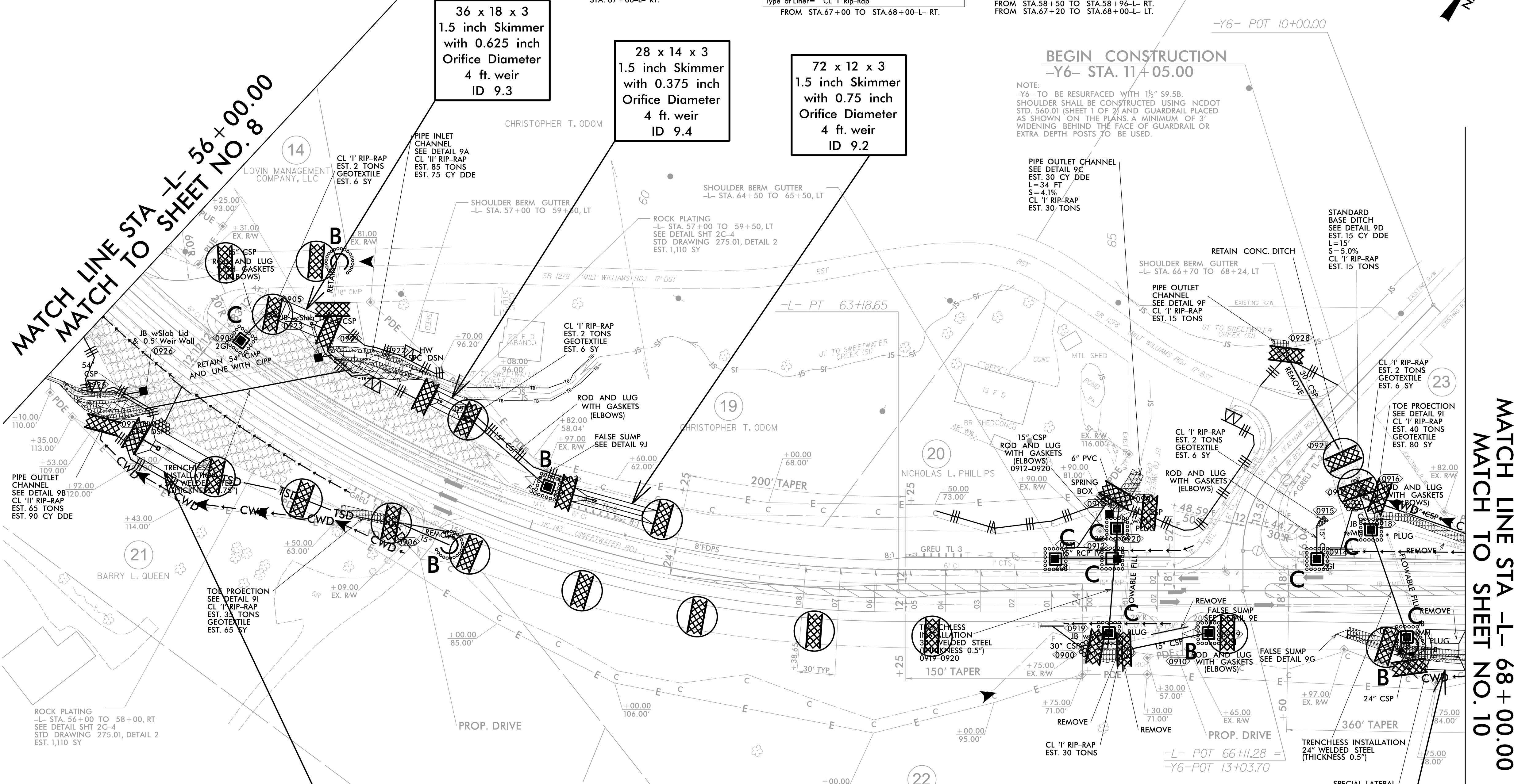


For Slopes Excavated Greater Than 10 feet
Install Matting for Erosion Control on
Entire Slope as Work Allows.
Place Matting for Erosion Control
on Slopes Adjacent to Permitted
Wetlands as Work Allows.

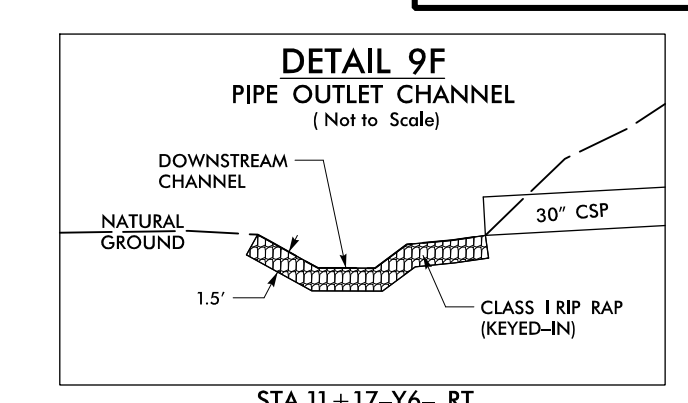
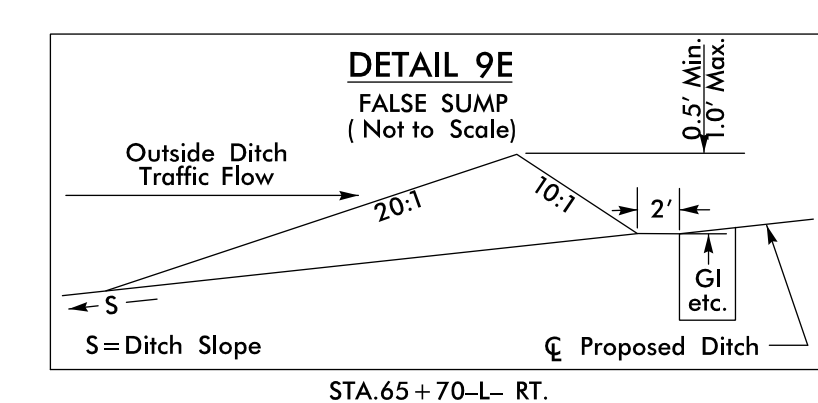
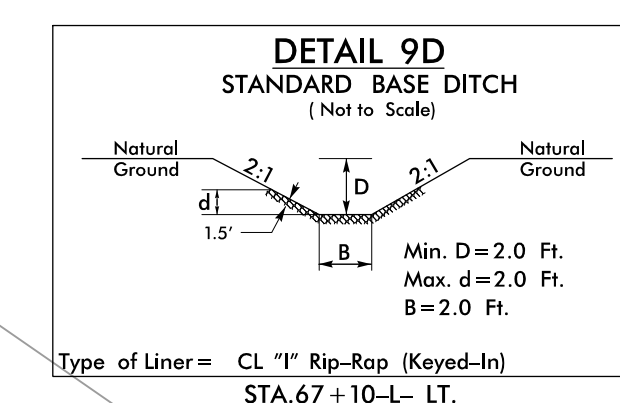
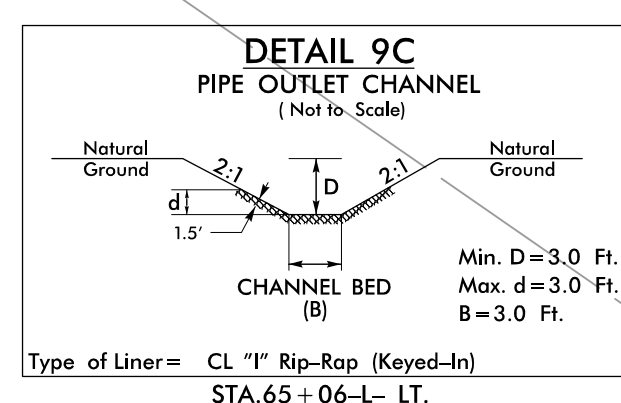
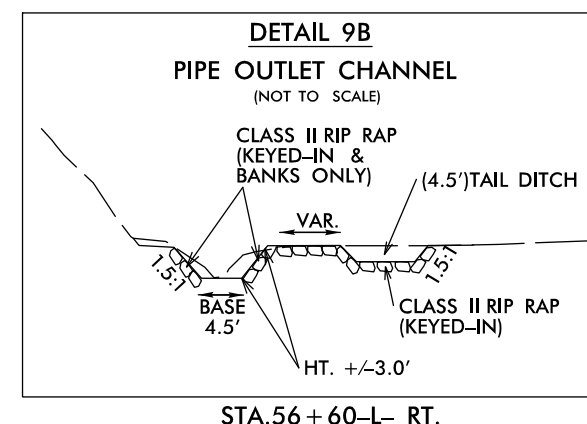
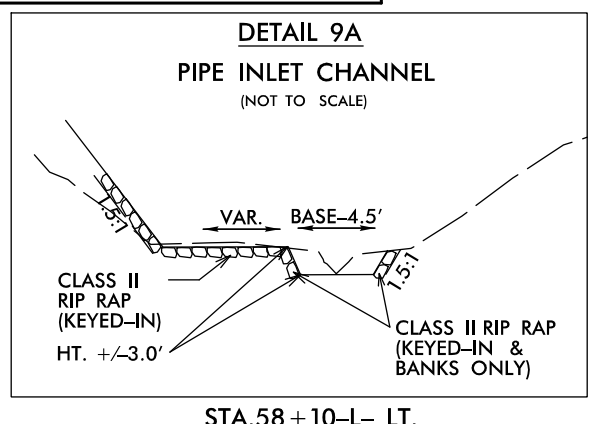


PROJECT REFERENCE NO. A-0009CA	SHEET NO. EC-28/CONST.9
RW SHEET NO.	
ROADWAY DESIGN ENGINEER	HYDRAULICS ENGINEER
TGS ENGINEERS 201 W. MARION ST-STE 200 SHELBY, NC 28150 PH (704) 476-0003 CORP. LICENSE NO.: C-0275	



58 x 29 x 3
1.5 inch Skimmer
with 1.25 inch
Orifice Diameter
6 ft. weir
ID 9.1

34 x 34 x 3
1.5 inch Skimmer
with 1 inch
Orifice Diameter
4 ft. weir
ID 9.1F



MATCH LINE STA -L- 68+00.00
MATCH TO SHEET NO. 10