
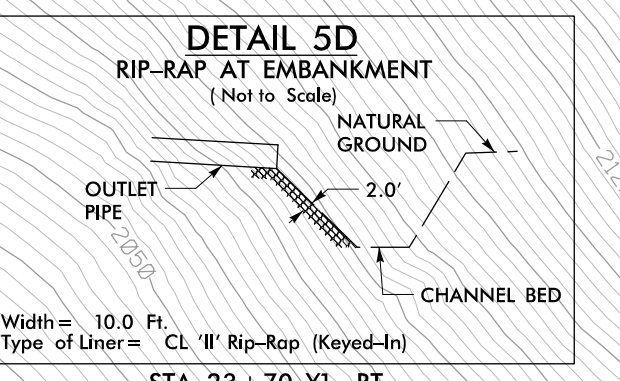
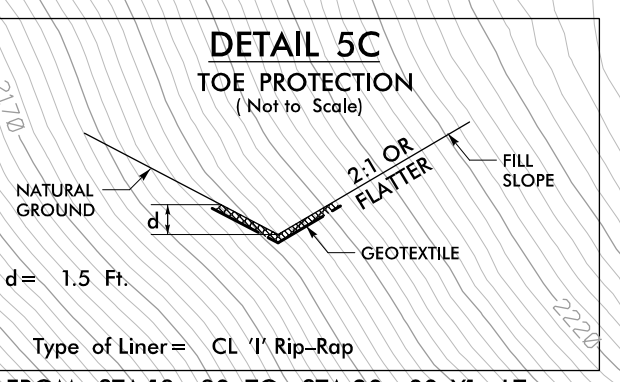
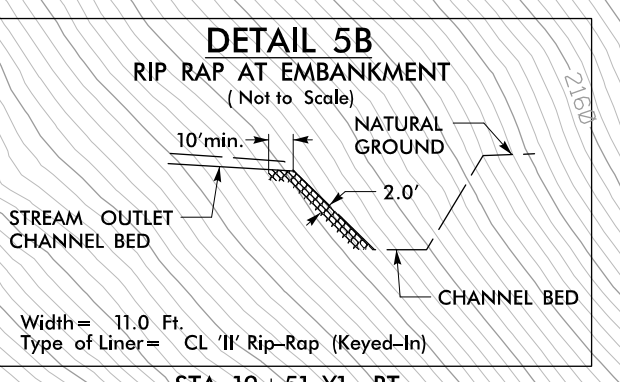
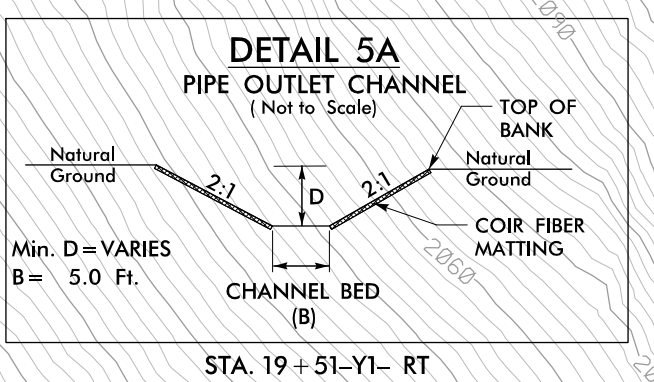
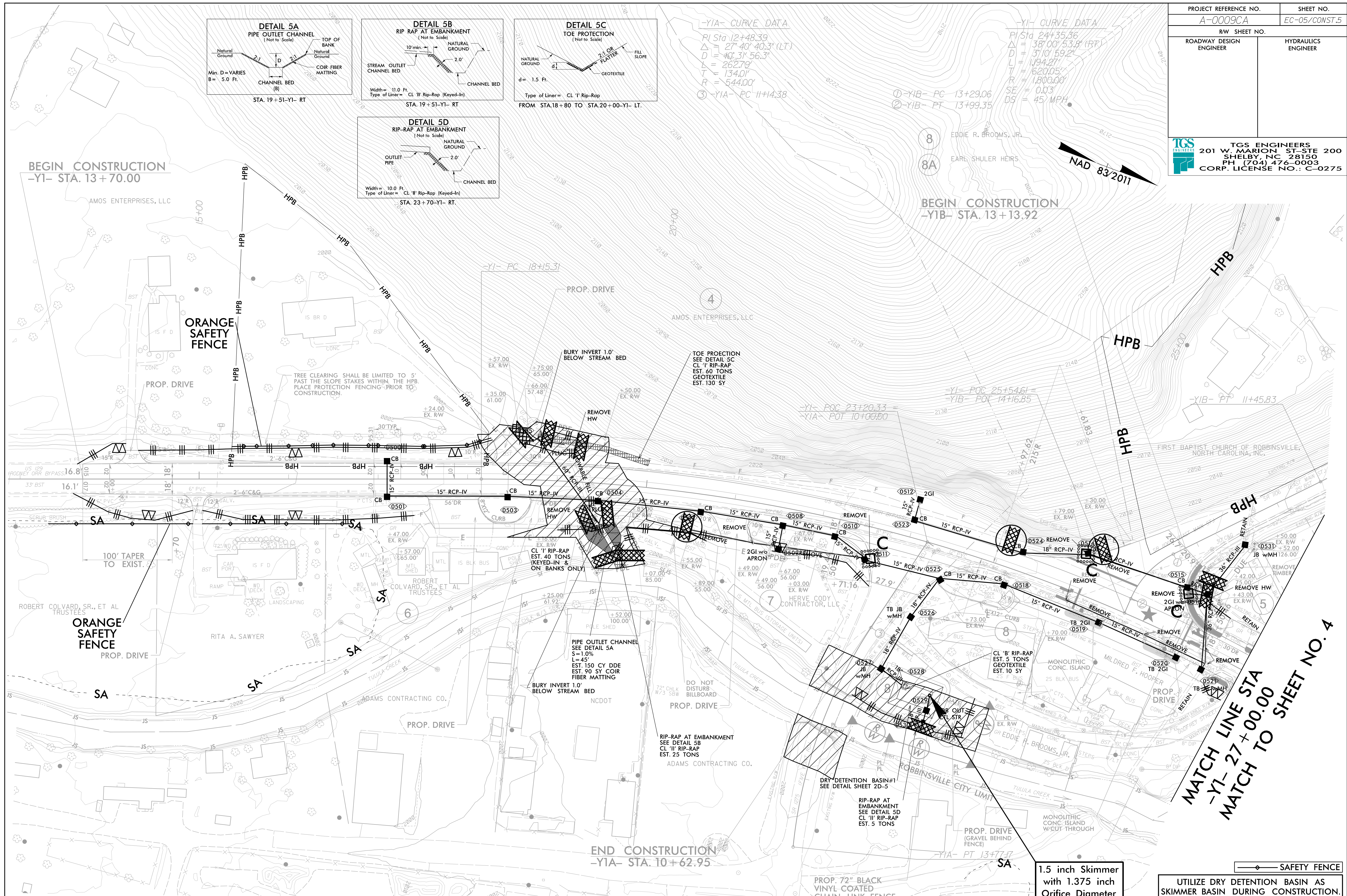


PROJECT REFERENCE NO. A-0009CA		SHEET NO. EC-05/CONST.5	
RW SHEET NO.			
ROADWAY DESIGN ENGINEER		HYDRAULICS ENGINEER	
 <b>TGS ENGINEERS</b> 201 W. MARION ST-STE 200 SHELBY, NC 28150 PH (704) 476-0003 CORP. LICENSE NO.: C-0275			



-Y1A- CURVE DATA  
PI Sta 12+48.39  
 $\Delta = 27^\circ 40' 40.3" (LT)$   
 $D = 40.31' 56.3"$   
 $L = 262.79'$   
 $T = 134.01'$   
 $R = 544.00'$   
③ -Y1A- PC 11+4.38

-Y1- CURVE DATA  
PI Sta 24+35.56  
 $\Delta = 38^\circ 00' 53.8" (RT)$   
 $D = 31' 0" 59.2"$   
 $L = 1194.27'$   
 $T = 620.05'$   
 $R = 1,800.00'$   
 $SE = 0.03$   
 $DS = 45' MPH$   
① -Y1B- PC 13+29.06  
② -Y1B- PT 13+99.35


 ENVIRONMENTALLY SENSITIVE AREA  
SEE PROJECT SPECIAL PROVISIONS

NOTE:  
PLACE TEMPORARY ROCK SEDIMENT DAMS TYPE - B  
AND TEMPORARY ROCK SILT CHECKS TYPE - A AT  
DRAINAGE OUTLETS.

INSTALL PIPE(S) IN JURISDICTIONAL AREAS WITHOUT IMPACTING STREAM UNTIL  
AREA STABILIZED AND ACCORDING TO NCDOT BEST MANAGEMENT  
PRACTICES FOR CONSTRUCTION AND MAINTENANCE ACTIVITIES MANUAL.

CLEARING AND GRUBBING  
EROSION CONTROL FOR  
CONSTRUCTION SHEET 5

1.5 inch Skimmer  
with 1.375 inch  
Orifice Diameter  
ID DDB #1

 SAFETY FENCE  
UTILIZE DRY DETENTION BASIN AS  
SKIMMER BASIN DURING CONSTRUCTION.

MATCH LINE STA  
-Y1- 27+00.00  
MATCH TO SHEET NO. 4