
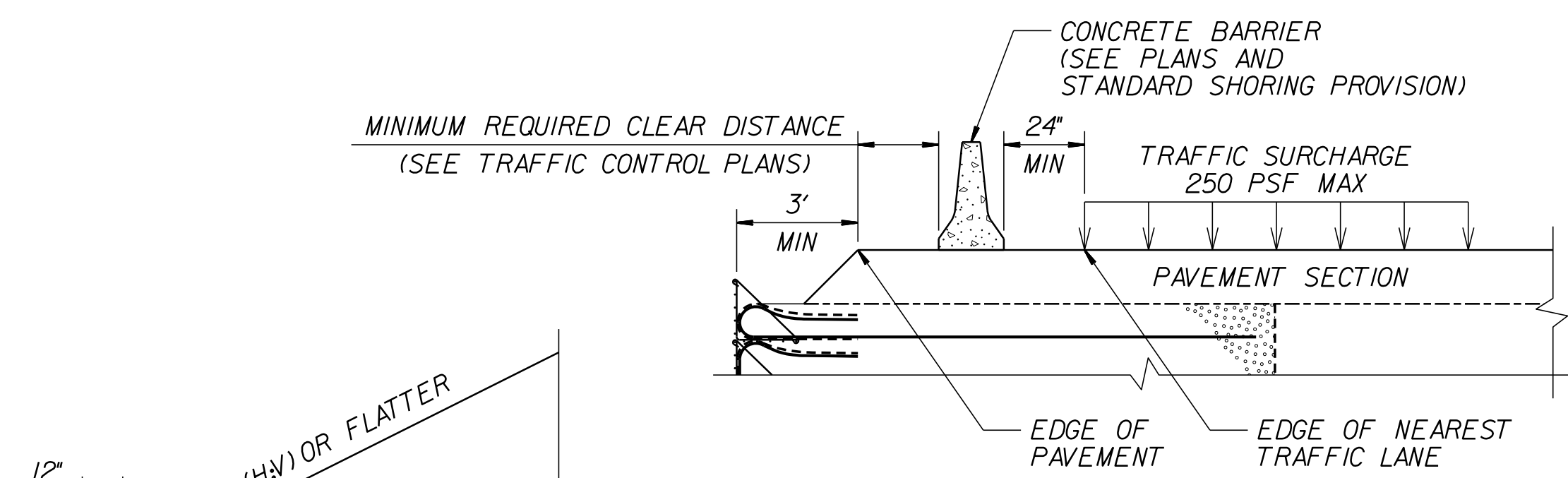
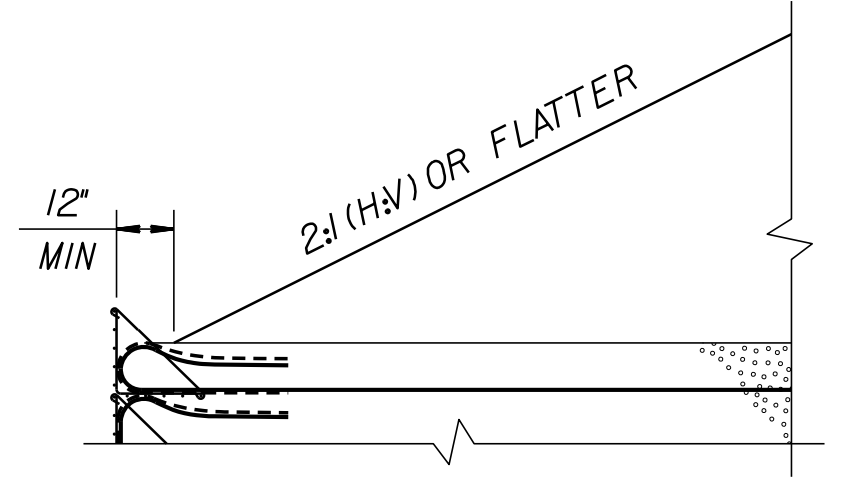


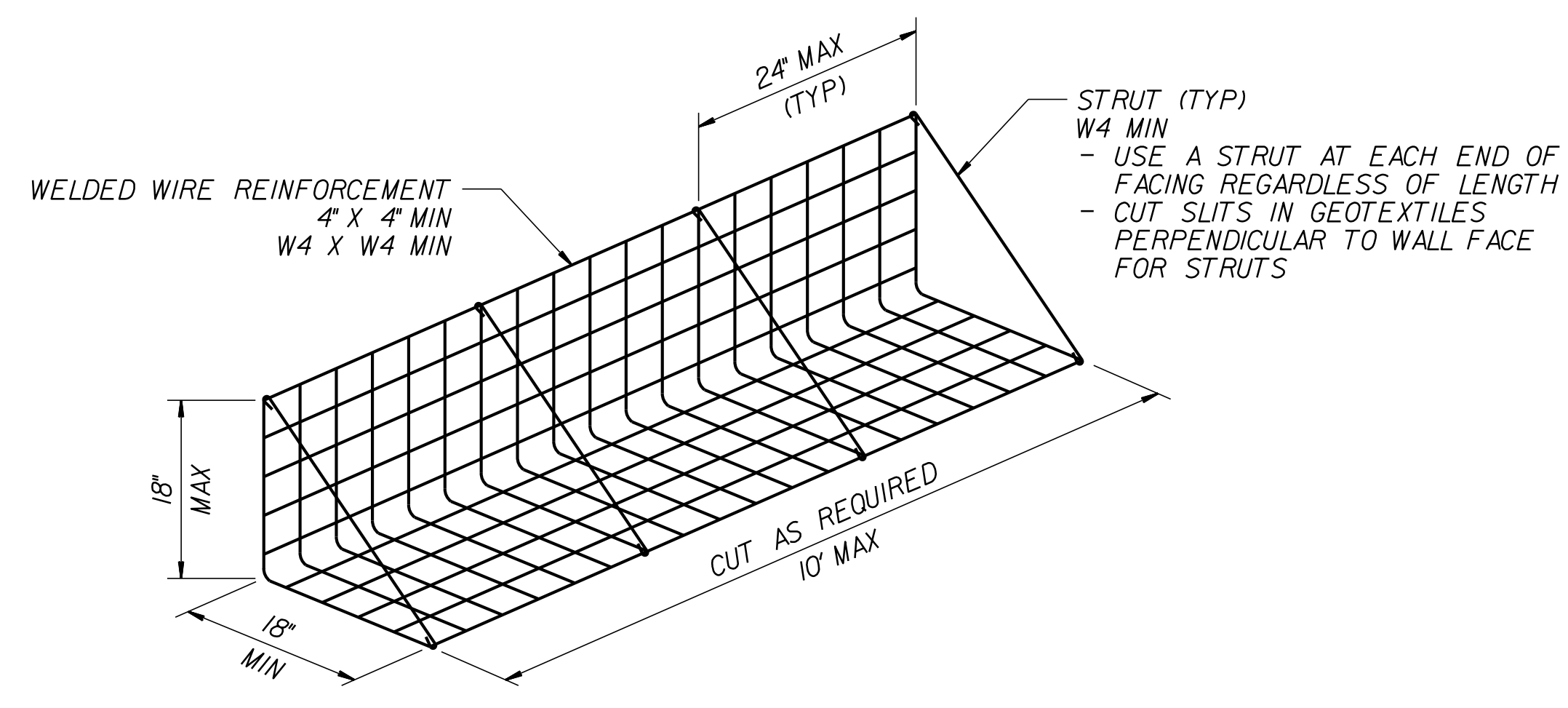
PROJECT REFERENCE NO. A-0009CA	SHEET NO. 2G-7
GEOTECHNICAL ENGINEER  D. Matthew Brewer 5/24/2022 3881262046166 SIGNATURE DATE	ENGINEER
DOCUMENT NOT CONSIDERED FINAL UNLESS ALL SIGNATURES COMPLETED	



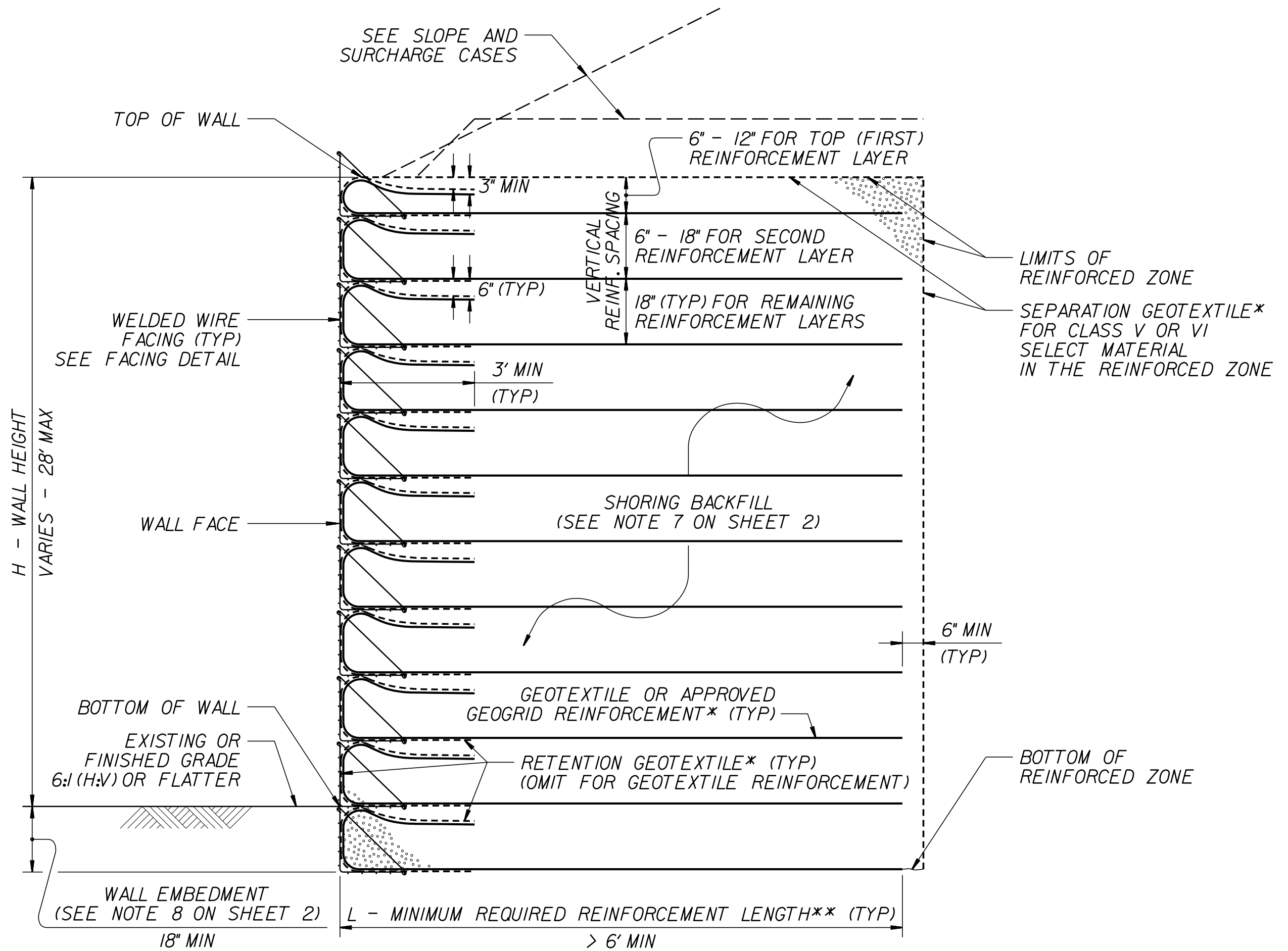
SURCHARGE CASE



SLOPE CASE

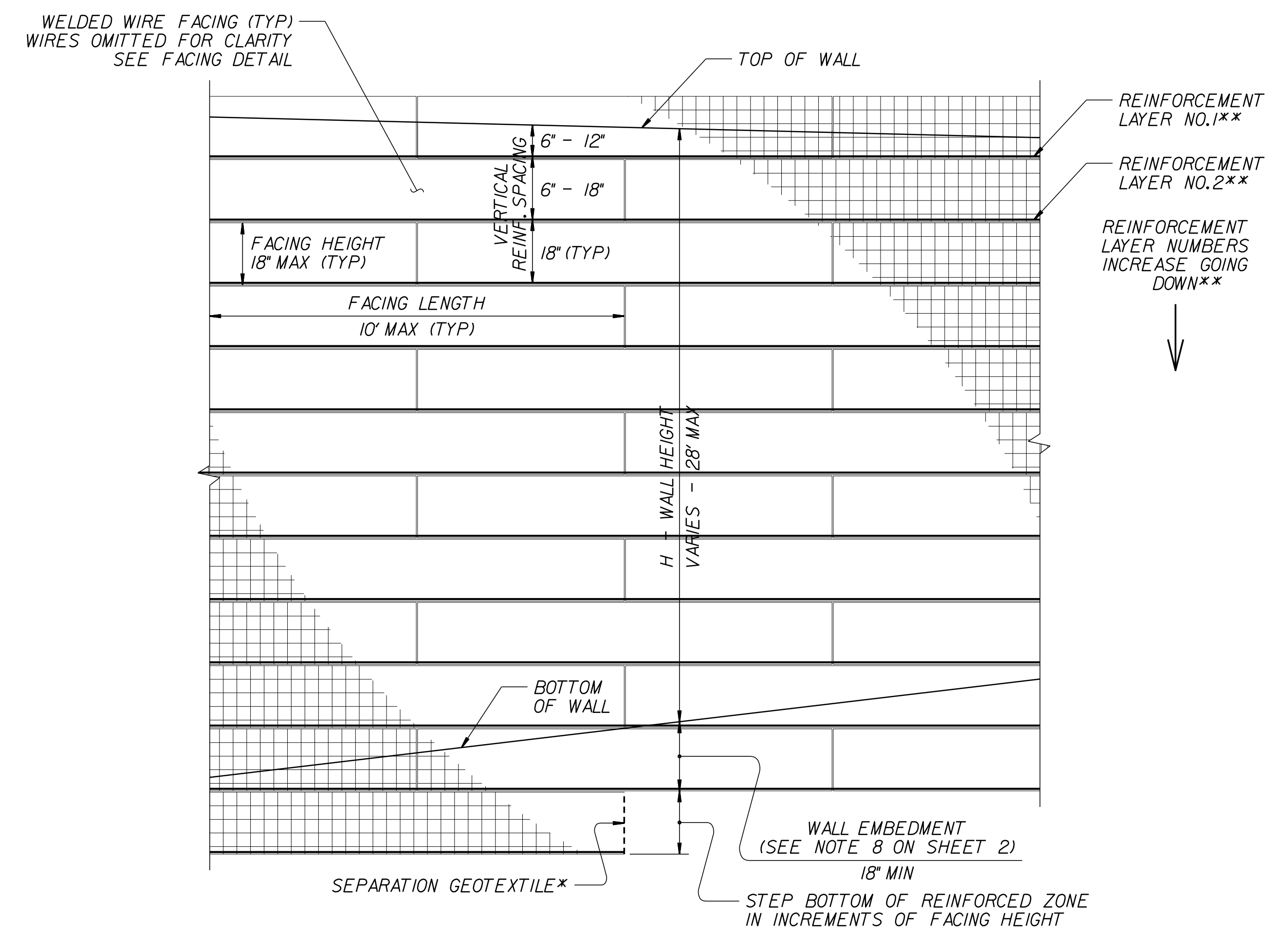


FACING DETAIL



STANDARD TEMPORARY WALL

(FOR STANDARD TEMPORARY WALLS ON STRUCTURES, SEE TEMPORARY WALL ON STRUCTURE DETAIL ON SHEET 2.)
 *SEE GEOSYNTHETIC PLACEMENT DETAILS ON SHEET 2.
 **SEE REINFORCEMENT TABLES ON SHEET 3.



STANDARD TEMPORARY WALL - PARTIAL ELEVATION

*SEE GEOSYNTHETIC PLACEMENT DETAILS ON SHEET 2.
 **SEE REINFORCEMENT TABLES ON SHEET 3.



NORTH CAROLINA
 DEPARTMENT OF TRANSPORTATION
 DIVISION OF HIGHWAYS
**GEOTECHNICAL
 ENGINEERING UNIT**

STANDARD DETAIL NO. 1801.02

STANDARD
 TEMPORARY WALL
 SHEET 1 OF 3