

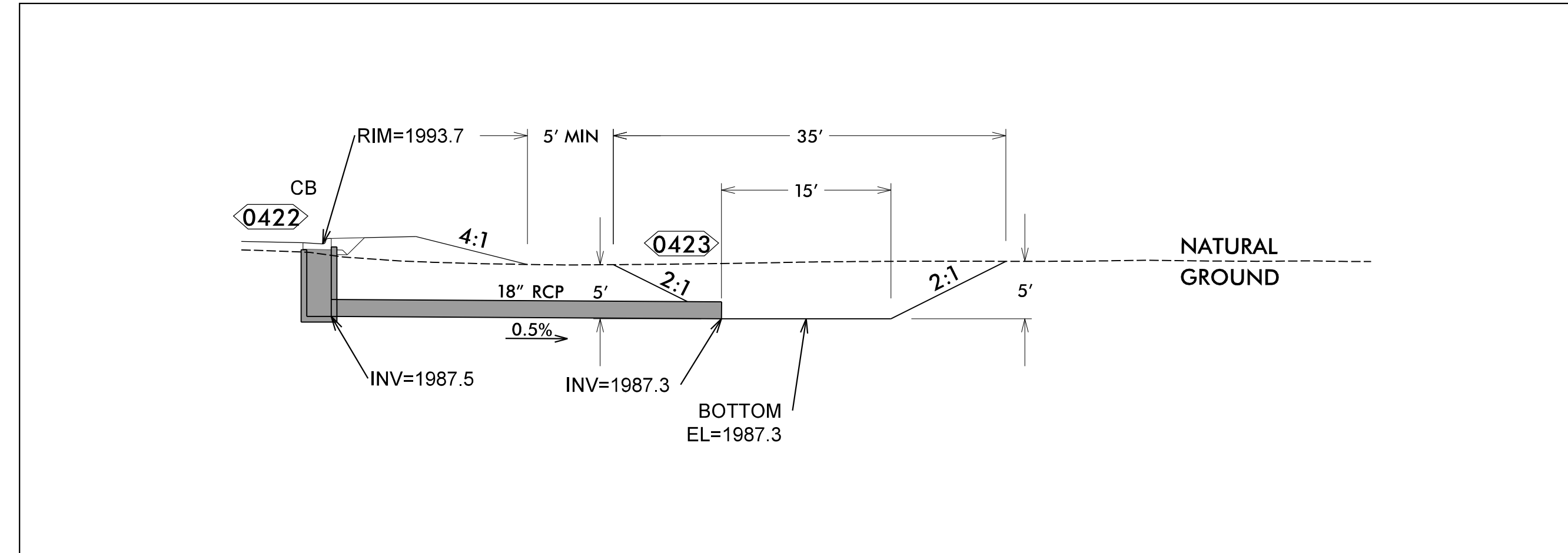
8/17/99

# DRY DETENTION BASIN#2

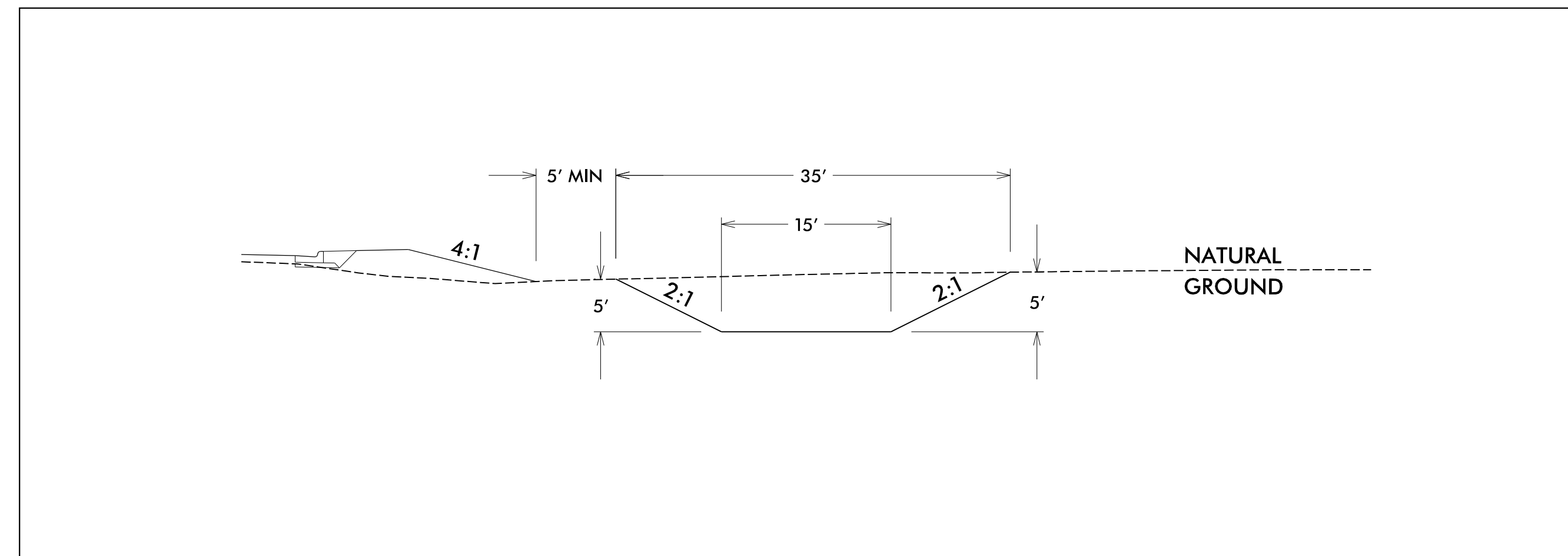
SHEET 2 OF 4

1" = 10'

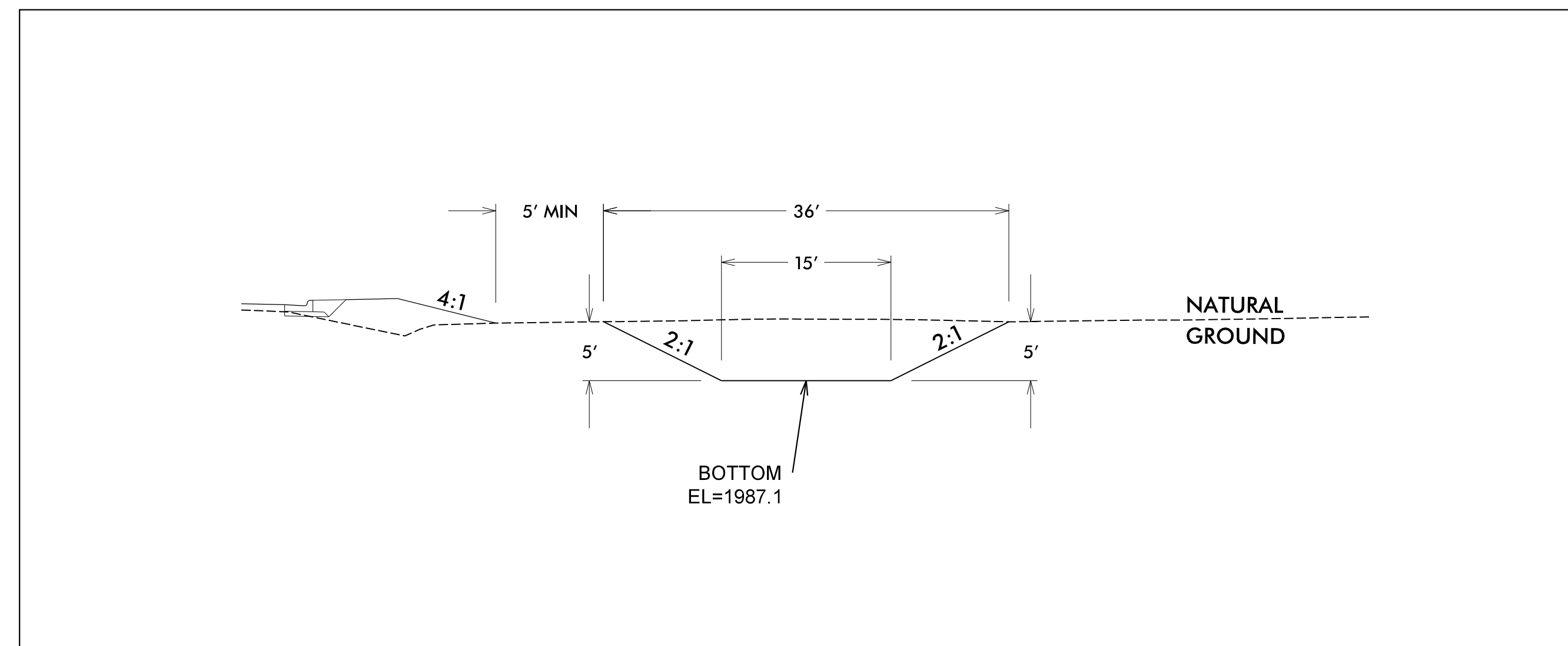
PROJECT REFERENCE NO. A-0009CA	SHEET NO. 2D-10
RW SHEET NO.	
HYDRAULICS ENGINEER	
DOCUMENT NOT CONSIDERED FINAL UNLESS ALL SIGNATURES COMPLETED	



SECTION A-A



SECTION B-B



SECTION C-C

## CROSS SECTIONS

X:\Projects\A-0009CA\Hydraulics\Dry Detention Basin\A-0009CA\_DDB2\_PSH.dgn  
3/28/2012 1:58:00 PM  
User: bshannon