

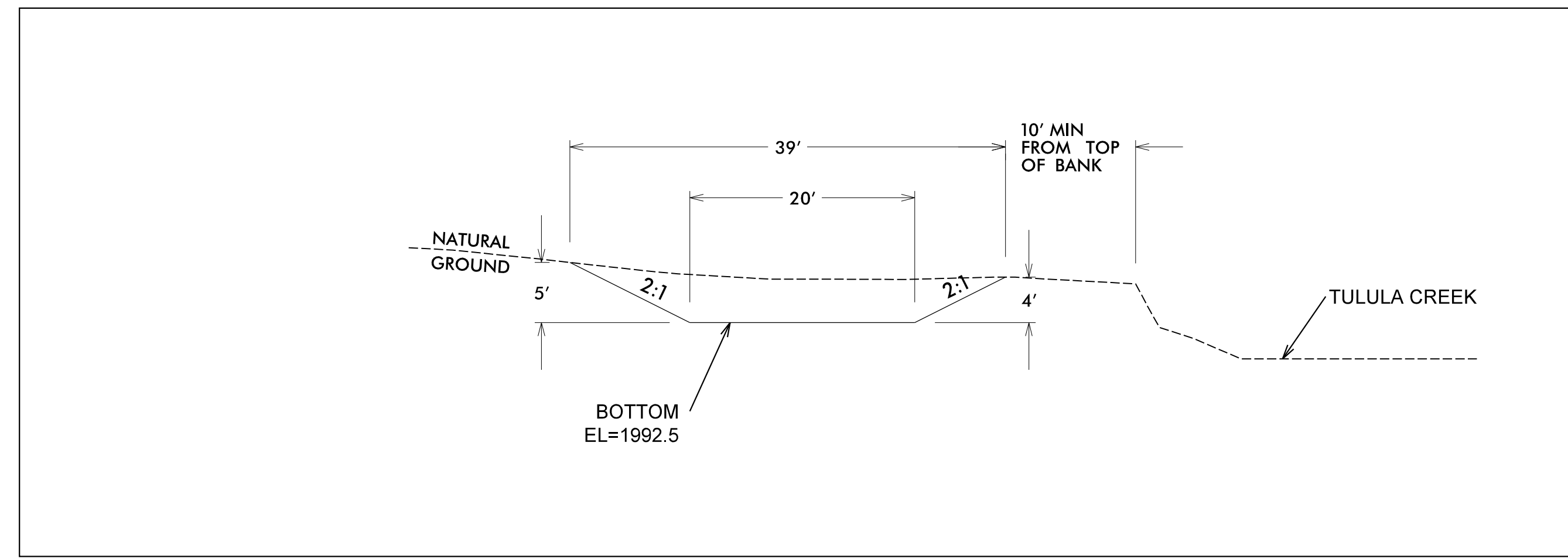
8/17/99

# DRY DETENTION BASIN#1

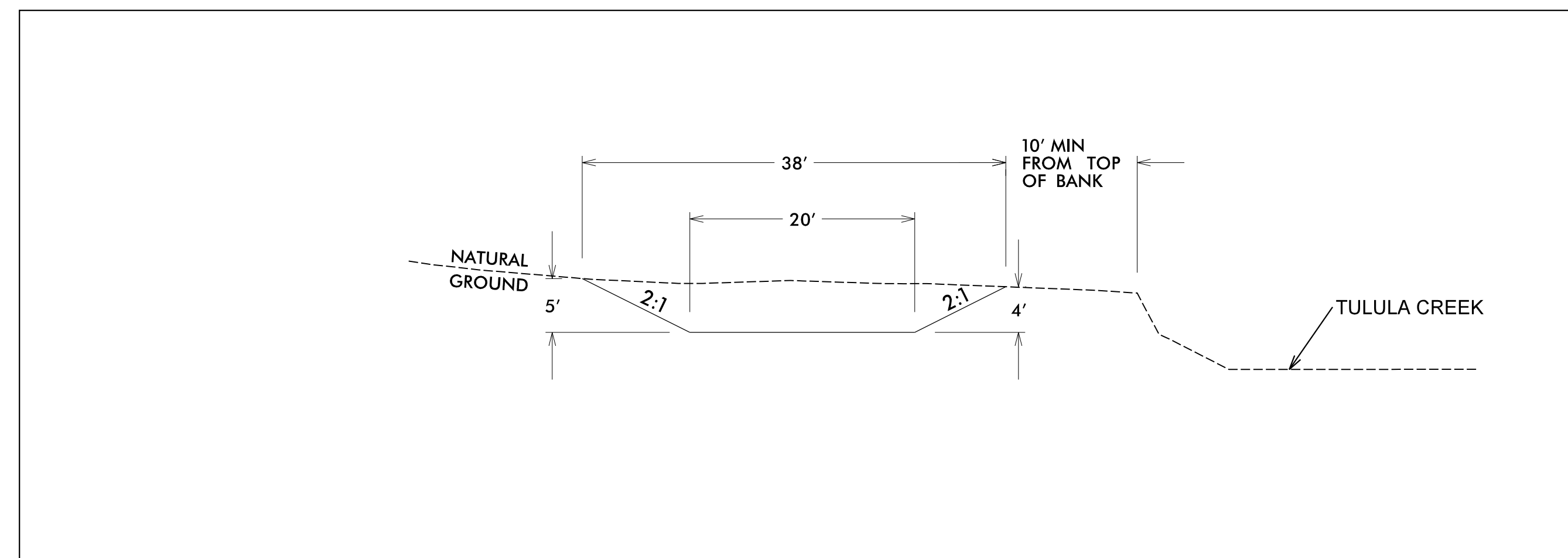
## SHEET 2 OF 4

1" = 10'

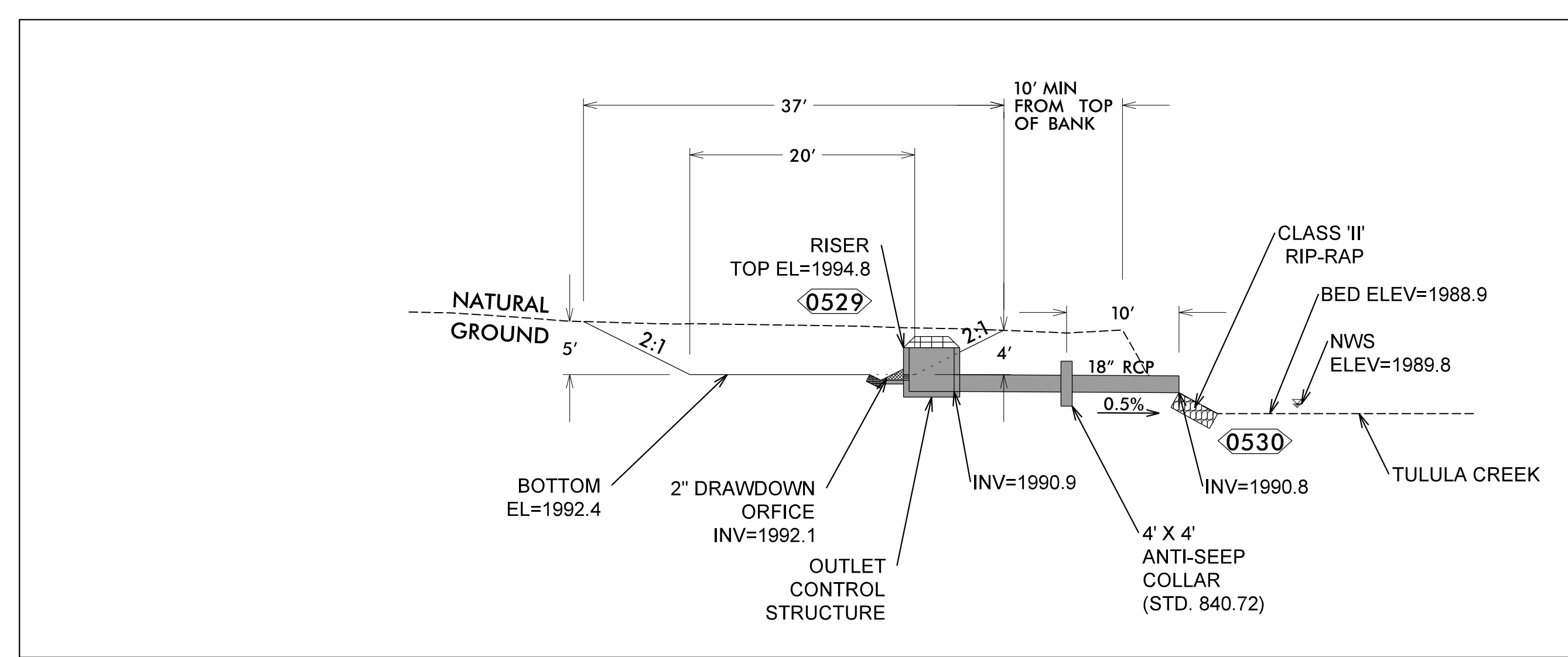
PROJECT REFERENCE NO. A-0009CA	SHEET NO. 2D-6
RW SHEET NO.	
HYDRAULICS ENGINEER	
DOCUMENT NOT CONSIDERED FINAL UNLESS ALL SIGNATURES COMPLETED	



SECTION A-A



SECTION B-B



SECTION C-C

### CROSS SECTIONS

3/20/2012  
X:\Projects\A-0009CA-0009\Hydraulics\Dry Detention Basin\A-0009CA\_DDB1\_PSH.dgn  
User: bhenegar