

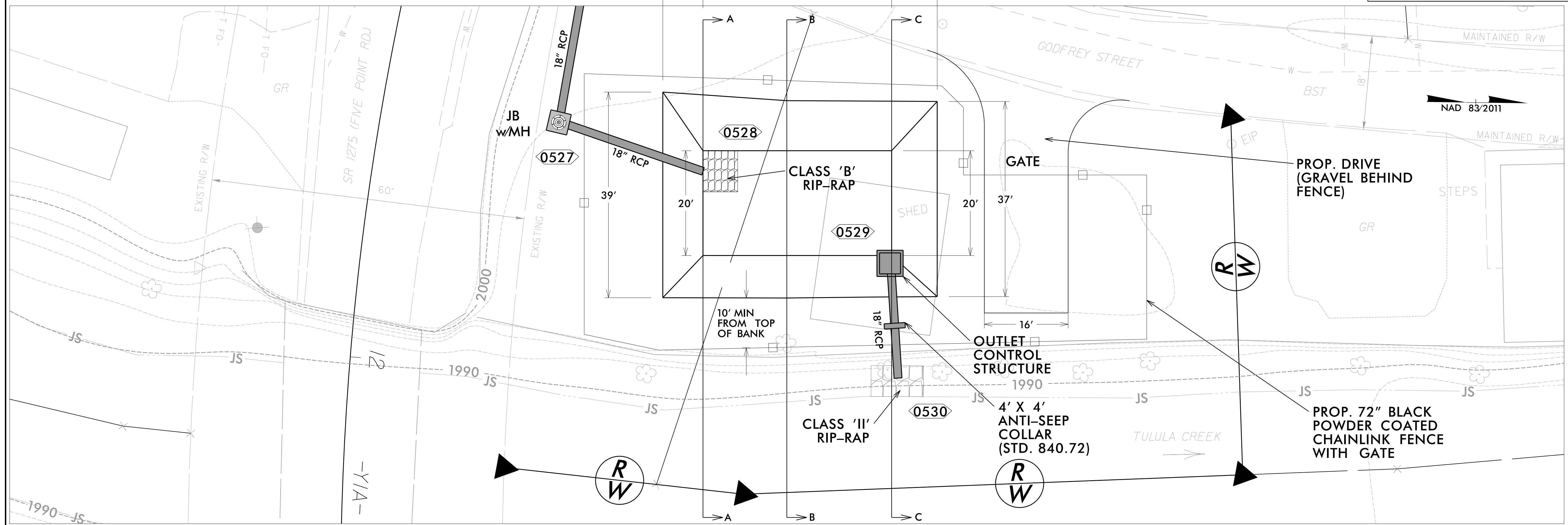
8/17/99

# DRY DETENTION BASIN#1

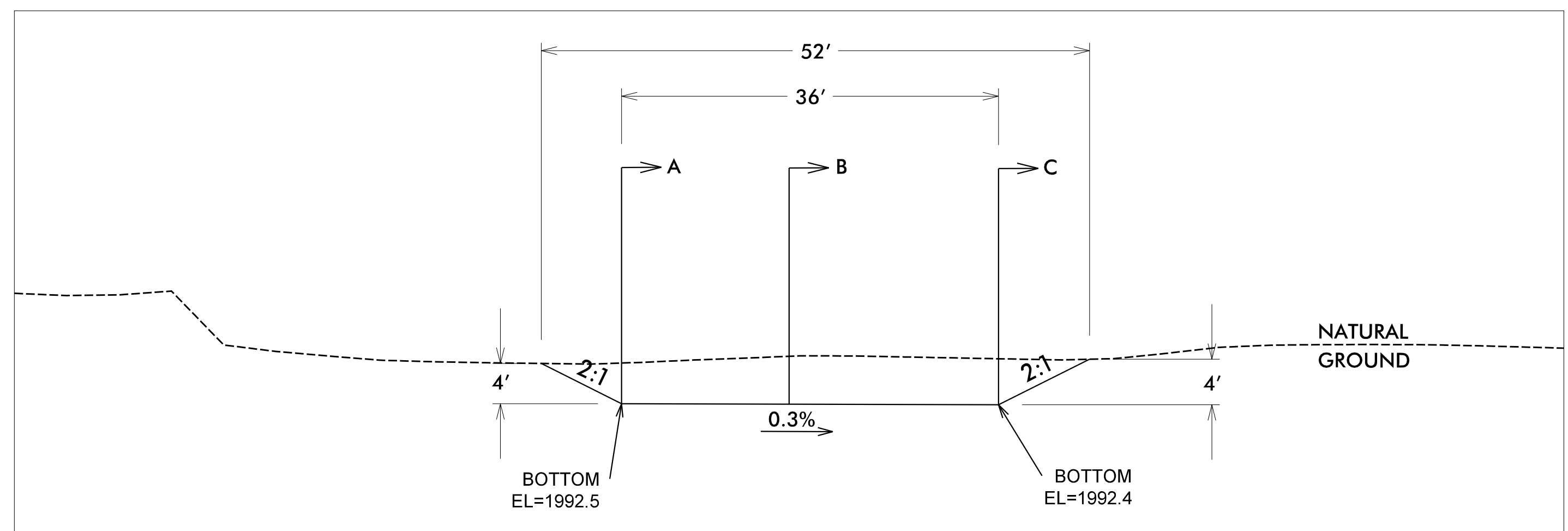
SHEET 1 OF 4

1" = 10'

PROJECT REFERENCE NO. A-0009CA	SHEET NO. 2D-5
RW SHEET NO.	
HYDRAULICS ENGINEER	
DOCUMENT NOT CONSIDERED FINAL UNLESS ALL SIGNATURES COMPLETED	



PLAN VIEW



PROFILE VIEW

3/28/2022  
X:\Projects\A-0009\Hydraulics\Dry Detention Basin\A-0009CA\_DDB1\_PSH.dgn  
User:henegar