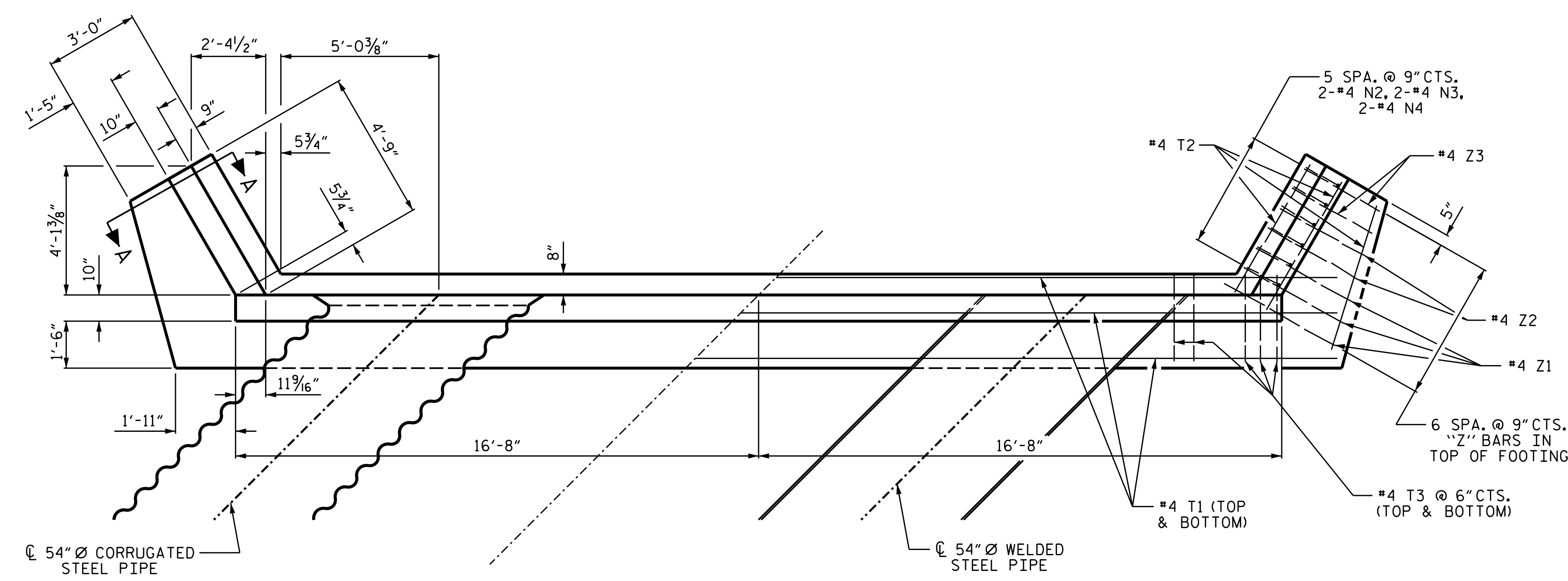
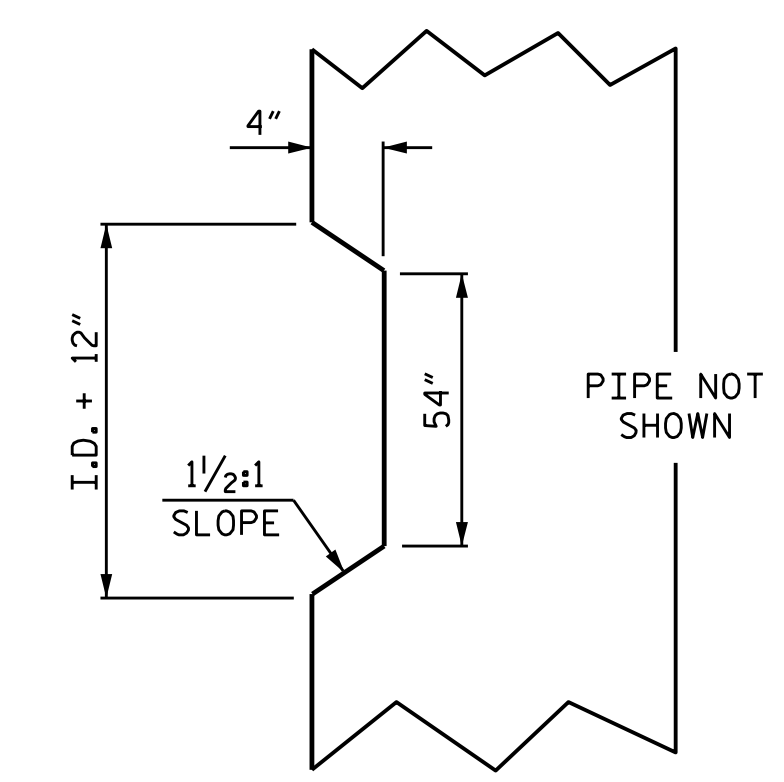


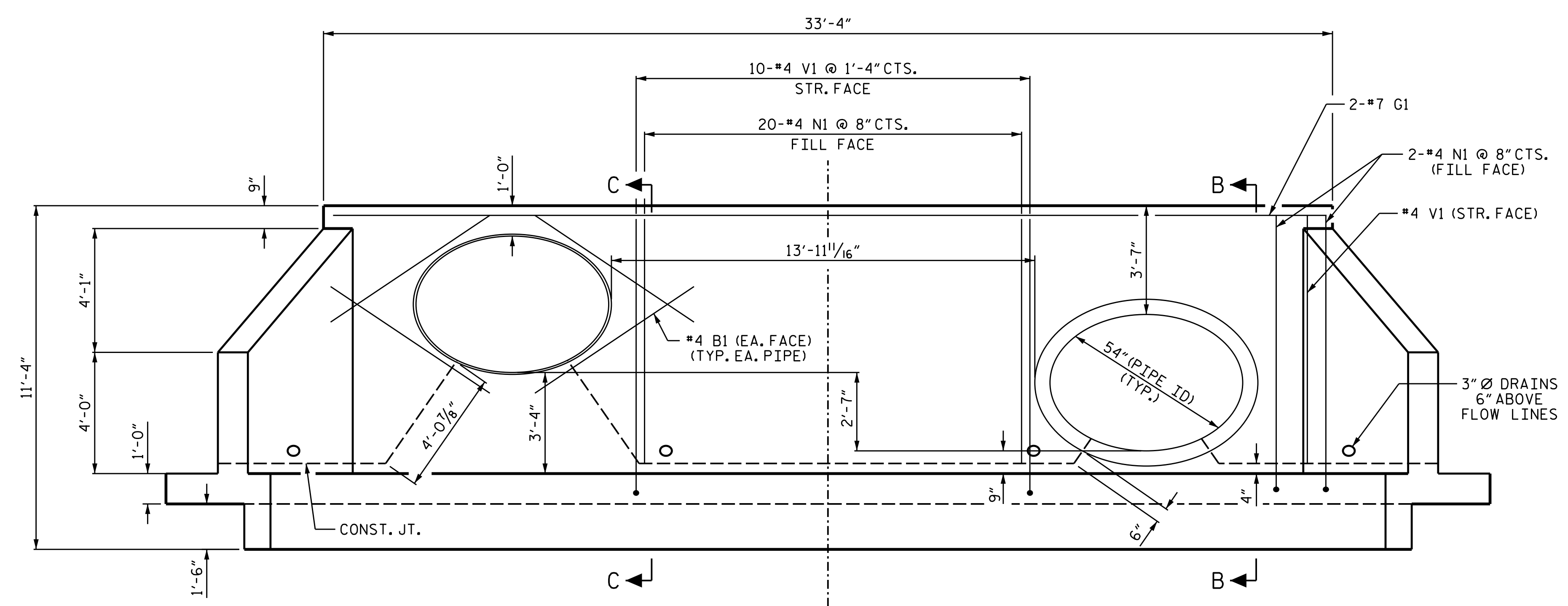
PROJECT REFERENCE NO.	SHEET NO.
A-0009CA	2D-3
DOCUMENT NOT CONSIDERED FINAL UNLESS ALL SIGNATURES COMPLETED	
IGS ENGINEERS 706 HILLSBOROUGH STREET SUITE 200 RALEIGH, NC 27603 PH (919) 773-8887 CORP. LICENSE NO.: C-0275	



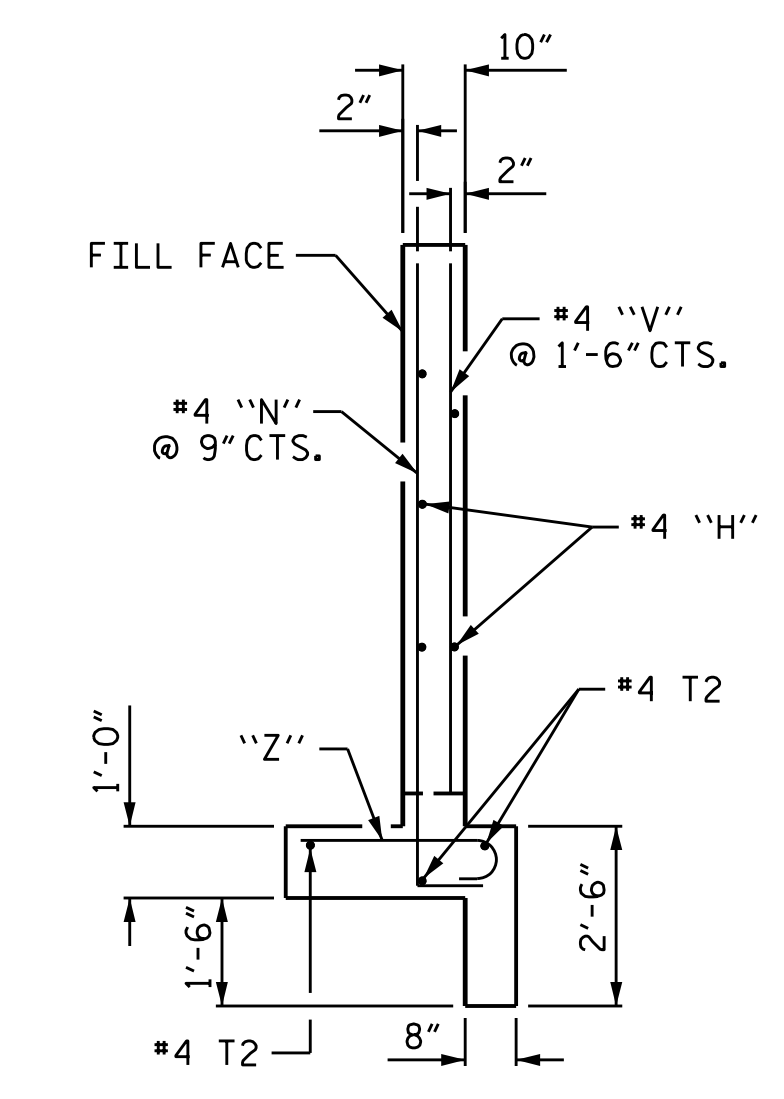
PLAN



TAPER DETAIL
FOR 54" Ø CSP



ELEVATION



SECTION A-A
SEE STD. # 838.45 FOR GENERAL NOTES.

STATE OF NORTH CAROLINA
DEPARTMENT OF TRANSPORTATION
RALEIGH

CONCRETE
HEADWALL