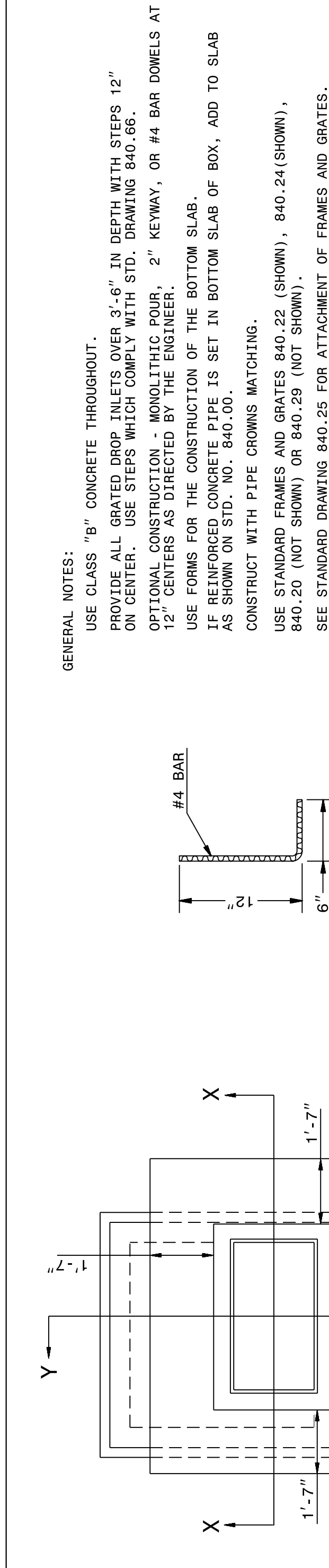


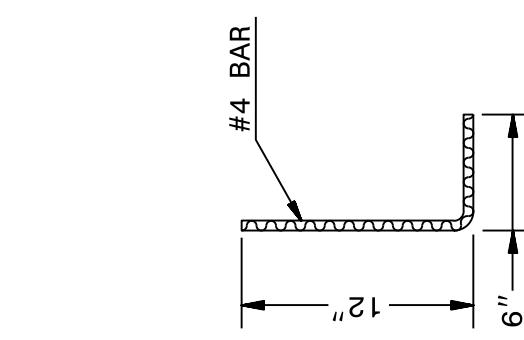
STATE OF NORTH CAROLINA
DEPT. OF TRANSPORTATION
DIVISION OF HIGHWAYS
RALEIGH, N.C.

ENGLISH DETAIL DRAWING FOR
CONCRETE GRATED DROP INLET TYPE 'A'
MINIMUM DEPTH
12" THRU 72" PIPE

SHEET 1 OF 2
840d17



DOWEL - A

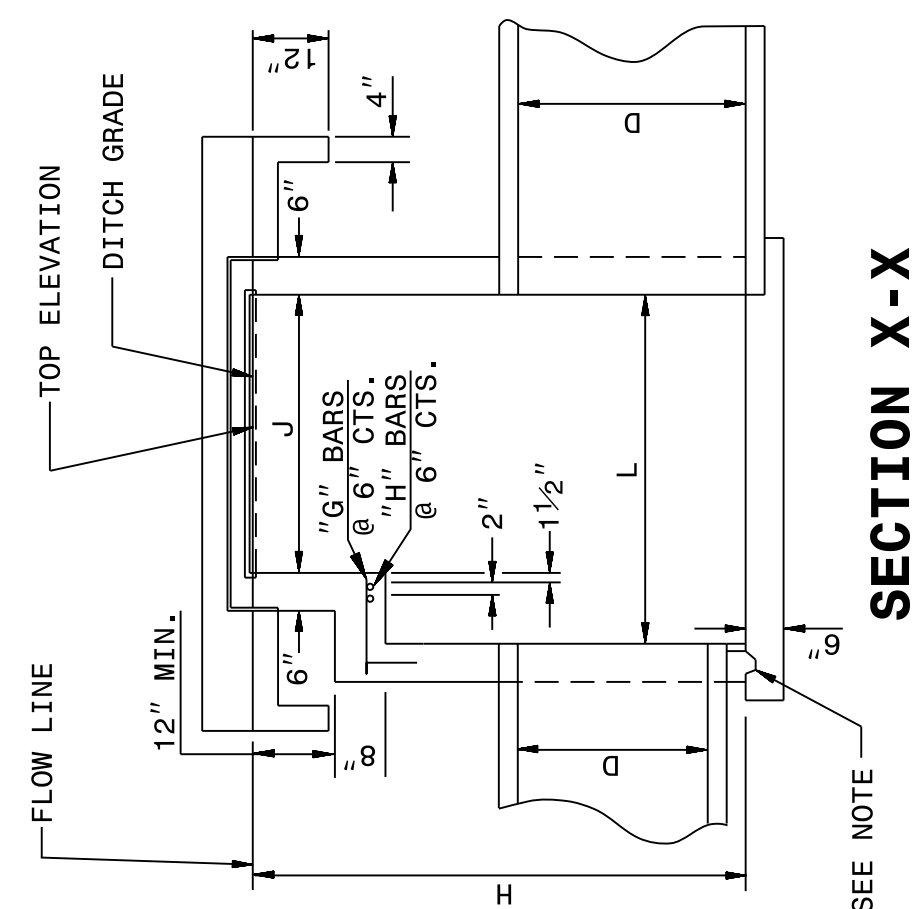


GENERAL NOTES:
USE CLASS "B" CONCRETE THROUGHOUT.
PROVIDE ALL GRATED DROP INLETS OVER 3'-6" IN DEPTH WITH STEPS 12" ON CENTER. USE STEPS WHICH COMPLY WITH STD. DRAWING 840.66.
OPTIONAL CONSTRUCTION - MONOLITHIC POUR, 2" KEYWAY, OR #4 BAR DOWELS AT 12" CENTERS AS DIRECTED BY THE ENGINEER.
USE FORMS FOR THE CONSTRUCTION OF THE BOTTOM SLAB.
IF REINFORCED CONCRETE PIPE IS SET IN BOTTOM SLAB OF BOX, ADD TO SLAB AS SHOWN ON STD. NO. 840.00.
CONSTRUCT WITH PIPE CROWNS MATCHING.
USE STANDARD FRAMES AND GRATES 840.22 (SHOWN), 840.24 (SHOWN), 840.20 (NOT SHOWN) OR 840.29 (NOT SHOWN).
SEE STANDARD DRAWING 840.25 FOR ATTACHMENT OF FRAMES AND GRATES.
CHAMFER ALL EXPOSED CORNERS 1".
DRAWING NOT TO SCALE.
MAX. DEPTH OF THIS STRUCTURE FROM TOP OF BOTTOM SLAB TO TOP ELEVATION IS 12 FEET.

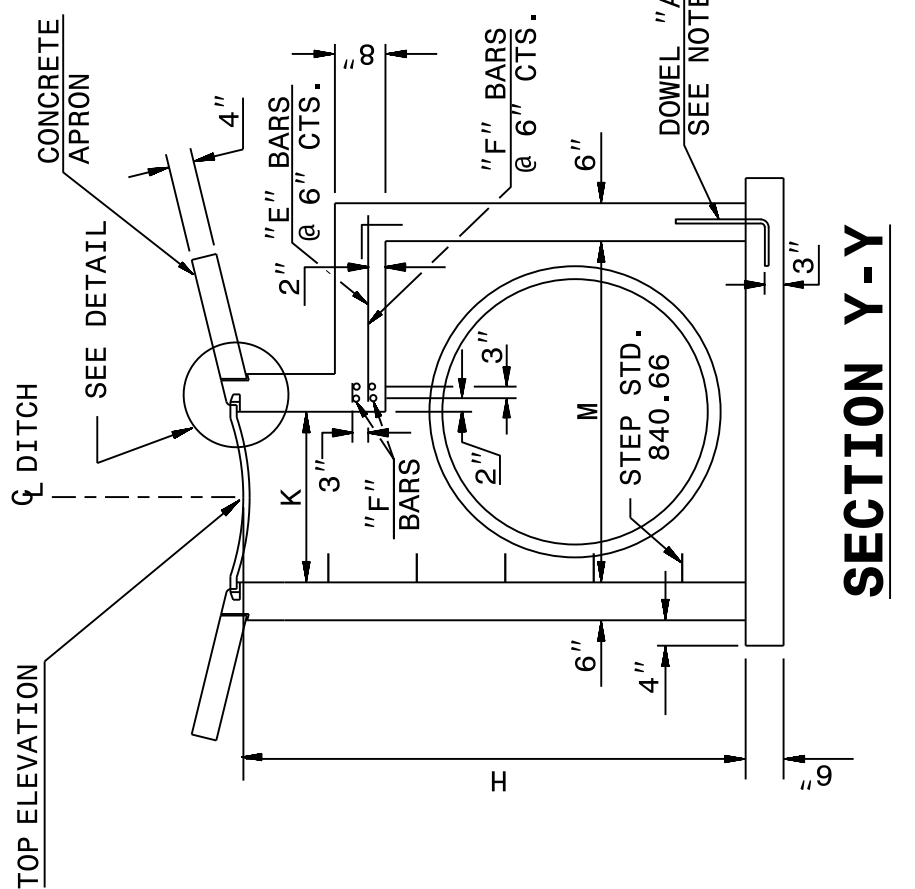
STATE OF NORTH CAROLINA
DEPT. OF TRANSPORTATION
DIVISION OF HIGHWAYS
RALEIGH, N.C.

ENGLISH DETAIL DRAWING FOR
CONCRETE GRATED DROP INLET TYPE 'A'
MINIMUM DEPTH
12" THRU 72" PIPE

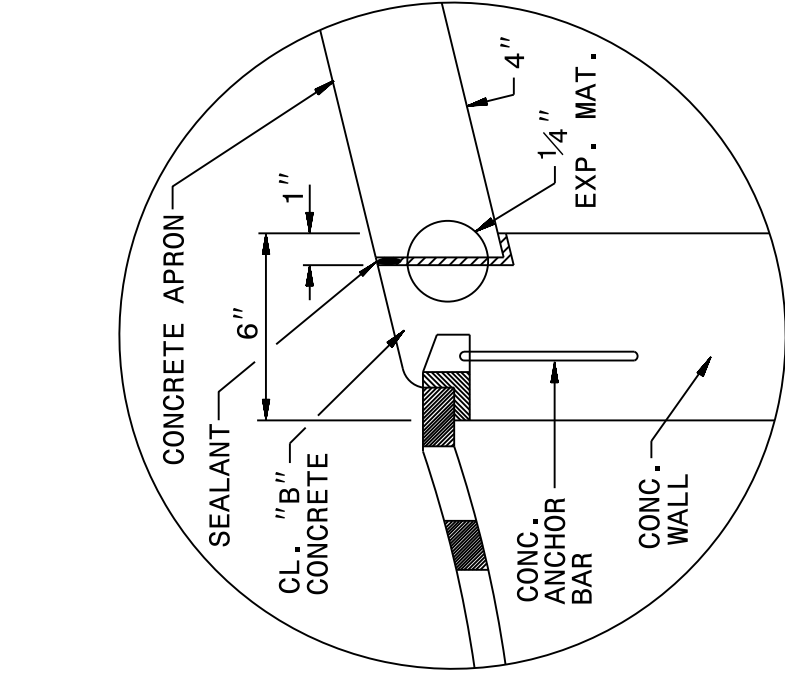
SHEET 1 OF 2
840d17



SECTION X-X



SECTION Y-Y



DETAIL
(APRON SUPPORT NOTCH)

STATE OF NORTH CAROLINA
DEPT. OF TRANSPORTATION
DIVISION OF HIGHWAYS
RALEIGH, N.C.

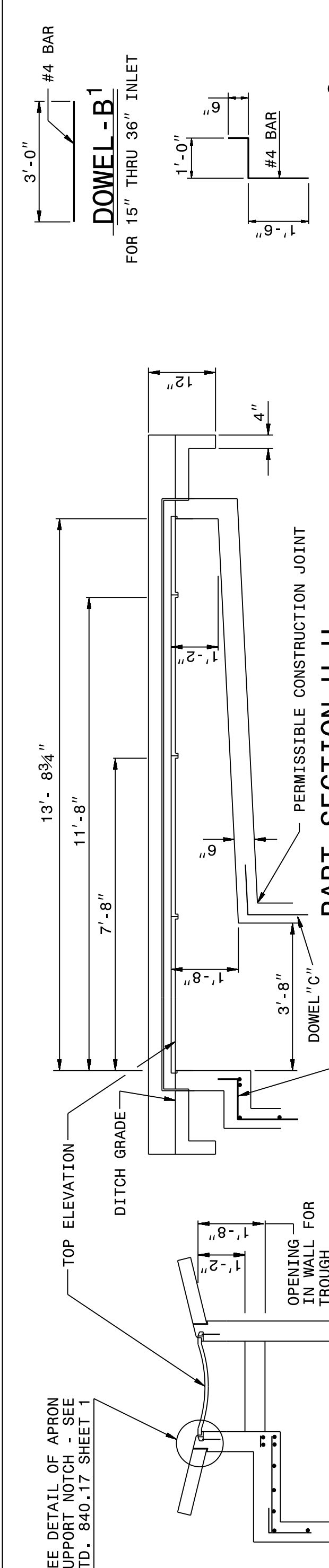
ENGLISH DETAIL DRAWING FOR
CONCRETE GRATED DROP INLET TYPE 'A'
MINIMUM DEPTH
12" THRU 72" PIPE

SHEET 2 OF 2
840d17

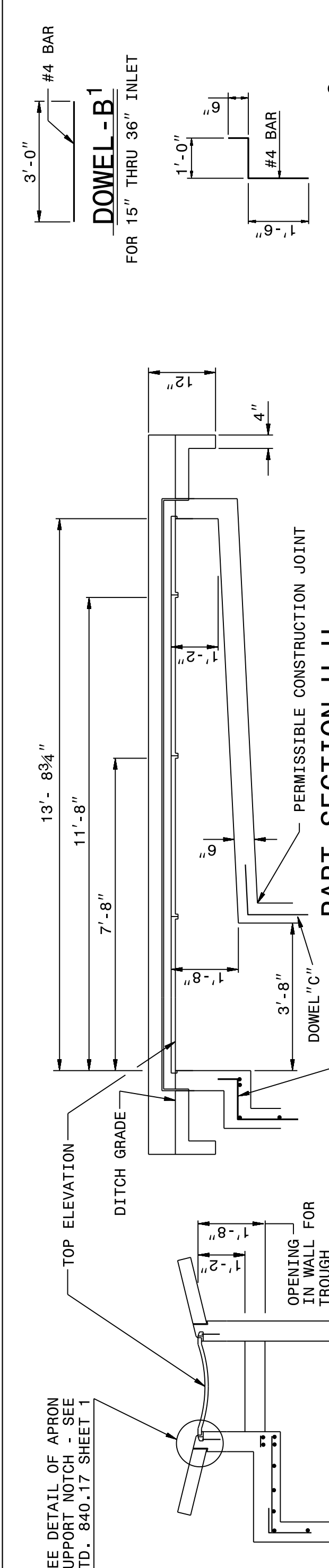
STATE OF NORTH CAROLINA
DEPT. OF TRANSPORTATION
DIVISION OF HIGHWAYS
RALEIGH, N.C.

ENGLISH DETAIL DRAWING FOR
CONCRETE GRATED DROP INLET TYPE 'A'
MINIMUM DEPTH
12" THRU 72" PIPE

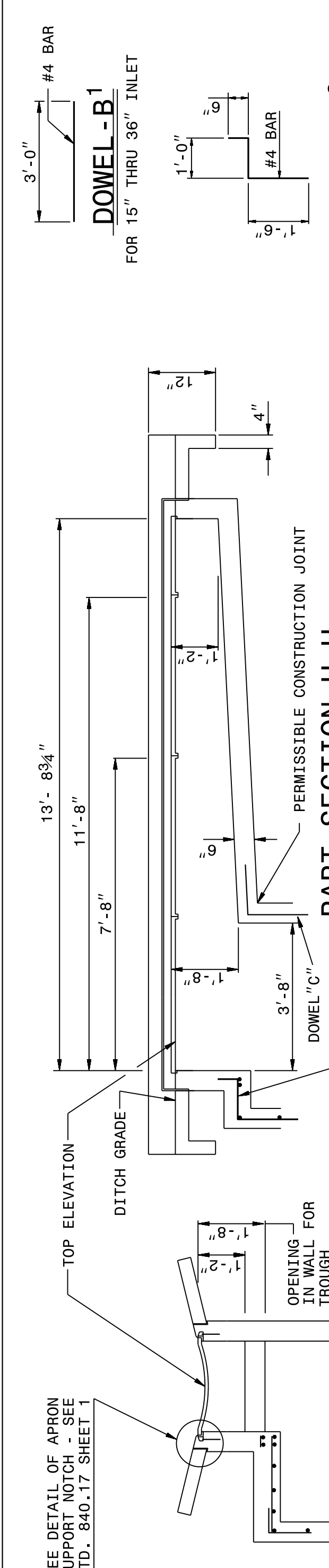
SHEET 2 OF 2
840d17



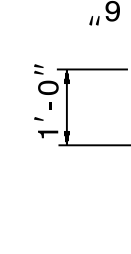
PART SECTION V-V



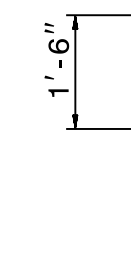
PART SECTION U-U



DOWEL - B1
FOR 15" THRU 36" INLET



DOWEL - B2
FOR 42" INLET



DOWEL - B3

STATE OF NORTH CAROLINA
DEPT. OF TRANSPORTATION
DIVISION OF HIGHWAYS
RALEIGH, N.C.

ENGLISH DETAIL DRAWING FOR
CONCRETE GRATED DROP INLET TYPE 'A'
MINIMUM DEPTH
12" THRU 72" PIPE

SHEET 2 OF 2
840d17

MIN. DIMENSIONS AND QUANTITIES FOR CONCRETE GRATED DROP INLET (BASED ON MIN. HEIGHT, H)

PIPE	DIMENSIONS OF BOX AND PIPE		REINFORCING STEEL - NO. 4 BARS										CU YDS CONC. IN BOX		DEDUCTIONS FOR ONE PIPE				
	SPAN	WIDTH	SPAN	WIDTH	HEIGHT	BARS E	BARS F	BARS G	BARS H	TOTAL BOTTOM SLAB	H PER FT	APRON TOTAL	C.S.	R.C.					
12"	3'-8"	2'-0"	3'-8"	2'-0"	2'-3"	—	—	—	—	—	—	0.362	0.926	0.247	0.395	1.683	0.015	0.024	
15"	3'-8"	2'-0"	3'-8"	2'-0"	2'-5"	—	—	—	—	—	—	0.362	0.988	0.247	0.395	1.745	0.023	0.036	
18"	—	—	—	—	2'-0"	2'-8"	—	—	—	—	—	0.362	1.050	0.247	1.807	0.033	0.049		
24"	—	—	—	—	2'-10"	3'-3"	8	1'-5"	6	4'-9"	—	27	0.444	1.362	0.278	2.201	0.059	0.085	
30"	—	—	—	—	3'-6"	3'-10"	8	2'-0"	7	4'-9"	—	33	0.502	1.644	0.288	2.541	0.082	0.127	
36"	—	—	—	—	4'-0"	4'-4"	8	2'-5"	8	4'-11"	4	0'-9"	0.560	1.931	0.321	2.920	0.132	0.178	
42"	—	—	—	—	4'-10"	5'-0"	10	3'-1"	9	5'-7"	3	5'-7"	0.704	2.500	0.370	3.677	0.180	0.243	
48"	—	—	—	—	5'-4"	5'-6"	11	3'-7"	10	6'-1"	4	6'-1"	0.823	3.013	0.407	4.315	0.235	0.317	
54"	—	—	—	—	6'-0"	6'-0"	12	4'-1"	11	6'-7"	5	6'-7"	0.951	3.589	0.444	5.072	0.287	0.401	
60"	—	—	—	—	6'-6"	6'-7"	13	4'-9"	12	7'-3"	6	7'-3"	1.35	4.539	0.494	6.170	0.367	0.495	
66"	—	—	—	—	7'-2"	7'-1"	14	5'-4"	14	7'-10"	7	7'-10"	1.136	5.061	0.537	6.901	0.444	0.599	
72"	—	—	—	—	7'-8"	7'-8"	15	5'-11"	15	8'-5"	4	4'-3"	1.500	5.860	0.580	0.395	7.868	0.528	0.713

STATE OF NORTH CAROLINA
DEPT. OF TRANSPORTATION
DIVISION OF HIGHWAYS
RALEIGH, N.C.

ENGLISH DETAIL DRAWING FOR
CONCRETE GRATED DROP INLET TYPE 'A'
MINIMUM DEPTH
12" THRU 72" PIPE

SHEET 2 OF 2
840d17

I:\SEP-2017\1155\port\assets\Special Details\Howerton\840d17 Minimum Depth Type A.dgn
Howerton At CSD 2/25/2018



5/31/2022

DOCUMENT NOT CONSIDERED FINAL
UNLESS ALL SIGNATURES COMPLETED

CONTRACT STANDARDS AND DEVELOPMENT UNIT
Office 919-707-6950 FAX 919-250-4119

SEE TITLE BLOCK

ORIGINAL BY: J. Howerton DATE: 1/22/14
MODIFIED BY: DATE:
CHECKED BY: DATE:
FILE SPEC.: howerton\minimum depth type A.dgn