

CHANNEL 3 SPLICE ENCLOSURE AT (WEST CLUB CIR. AT ABERDEEN BLVD.) SIG ID CITY-09

COLOR CODE
TIA/EIA 598-C

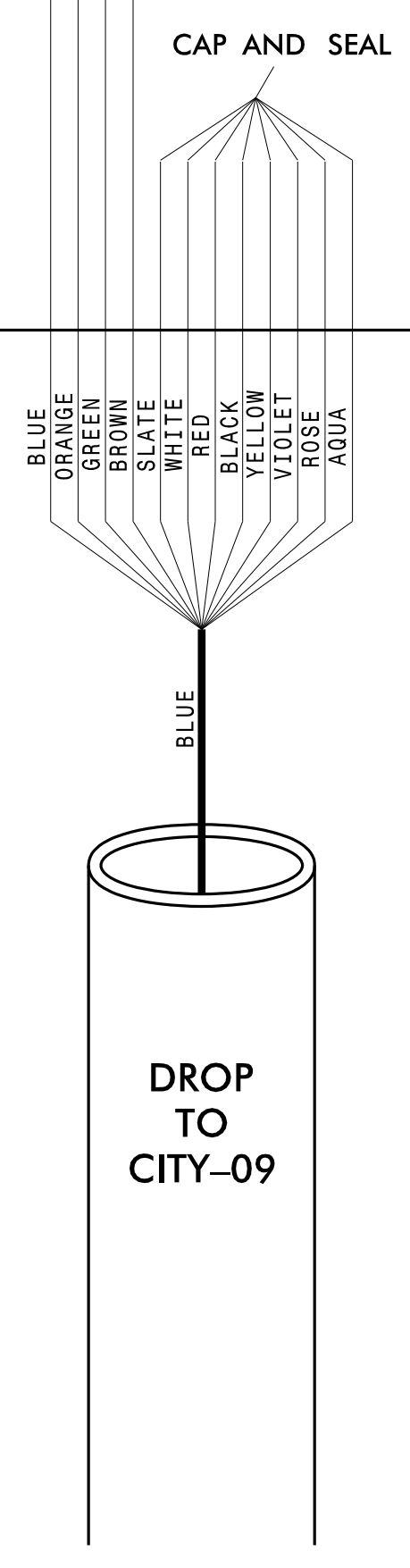
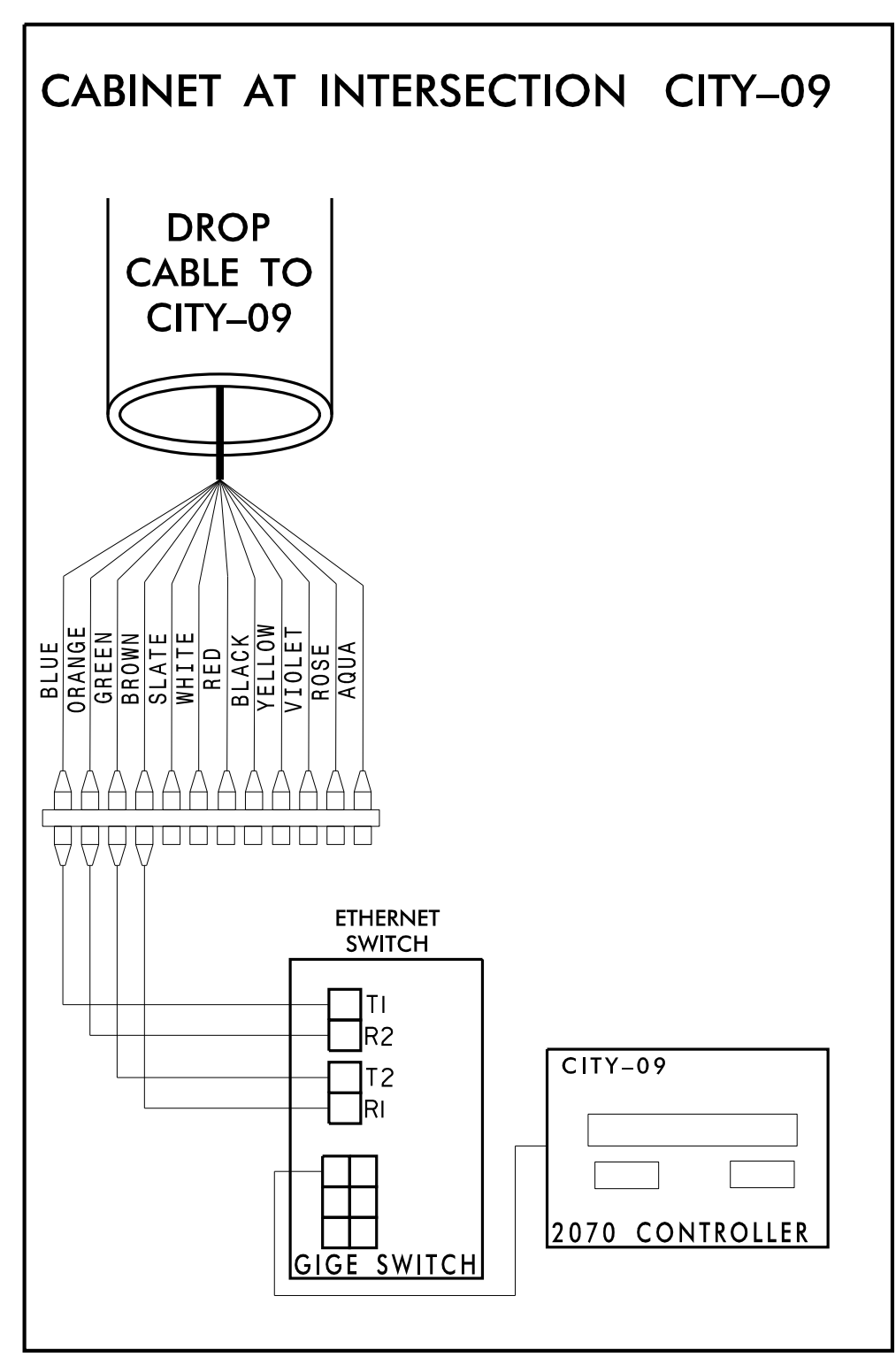
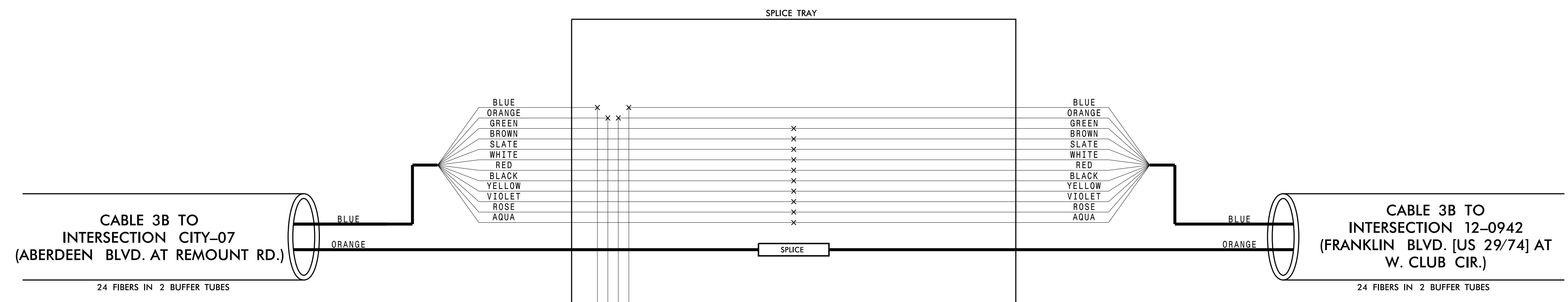
(1) BLUE	(7) RED
(2) ORANGE	(8) BLACK
(3) GREEN	(9) YELLOW
(4) BROWN	(10) VIOLET
(5) SLATE	(11) ROSE
(6) WHITE	(12) AQUA

LEGEND

X - FUSION SPlice INDIVIDUAL FIBER
 O - EXISTING SPlice
 □ - EXPRESS INDIVIDUAL FIBER

EXPRESS - EXPRESS ENTIRE BUFFER TUBE
 SPLICE - SPlice ENTIRE BUFFER TUBE OR MAINTAIN IF EXISTING EXPRESSED

NOTES:
 1. FIBER INTERCONNECT CENTER RACKS ARE SCHEMATIC ONLY - ACTUAL EQUIPMENT FORM MAY VARY.
 2. ETHERNET SWITCH TERMINATION CONFIGURATIONS ARE GENERIC. CONTRACTOR IS RESPONSIBLE FOR DETERMINING /ENSURING PROPER TERMINATION.
 3. CONTRACTOR IS RESPONSIBLE FOR FIELD VERIFYING EXISTING SPlicing. THE CONTRACTOR SHALL COORDINATE WITH THE ENGINEER WHERE EXISTING SPlicing IS NOT AS EXPECTED.



CHANNEL 3
CITY OF GASTONIA COMPUTERIZED SIGNAL SYSTEM
SPlice DETAIL

Division 12 GASTON COUNTY

PLAN DATE: DECEMBER 2021 REVIEWED BY: K. SMITH
 PREPARED BY: S. BUTLER REVIEWED BY: I. VAN OSDELL

250 N. Greenfield Place, Garner, NC 27529

SCALE: 0

REVISIONS: _____ INIT. DATE

DocuSigned by: *Inger Van Osdel* 3/16/2022

Kimley»Horn
 NC License #F-0102
 421 Fayetteville St., Suite 600
 Raleigh, NC 27601
 Tel: (919) 677-2000
 Fax: (919) 677-2050

SEAL
 NORTH CAROLINA PROFESSIONAL ENGINEER
 SEAL 028952
 INGER Z. VAN OSDEL

3/15/2022 \\kimley-horn.com\SE-RAL\NRA\TPTD\ITS\01036569_Gastonia_Signal_System\6_Tasks\Splicing\SPL020.dgn