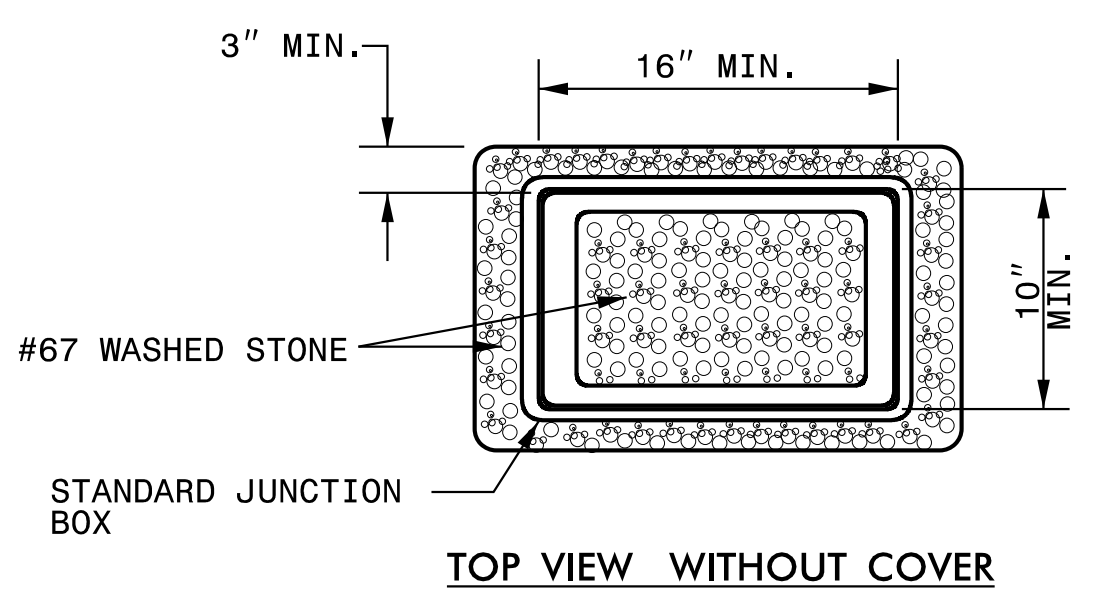
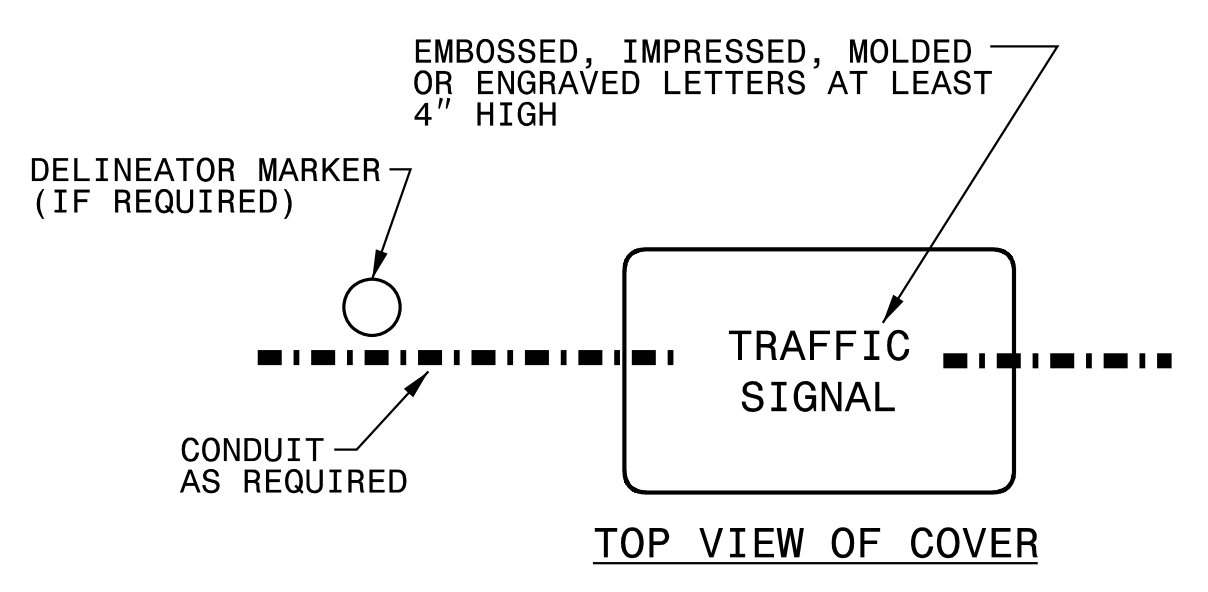
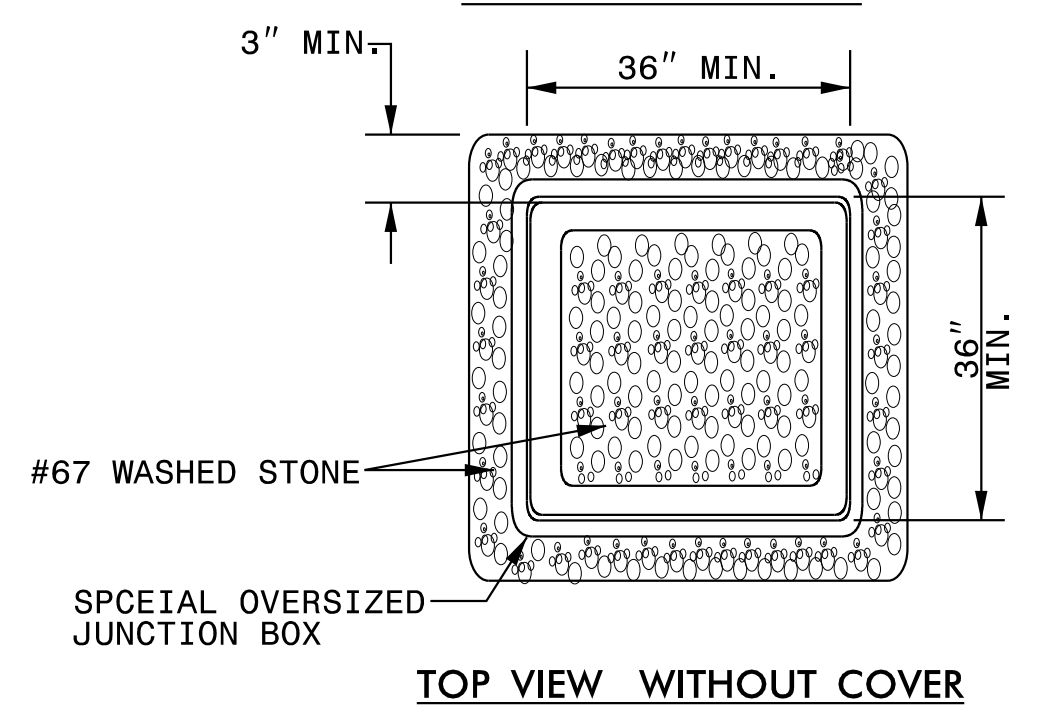
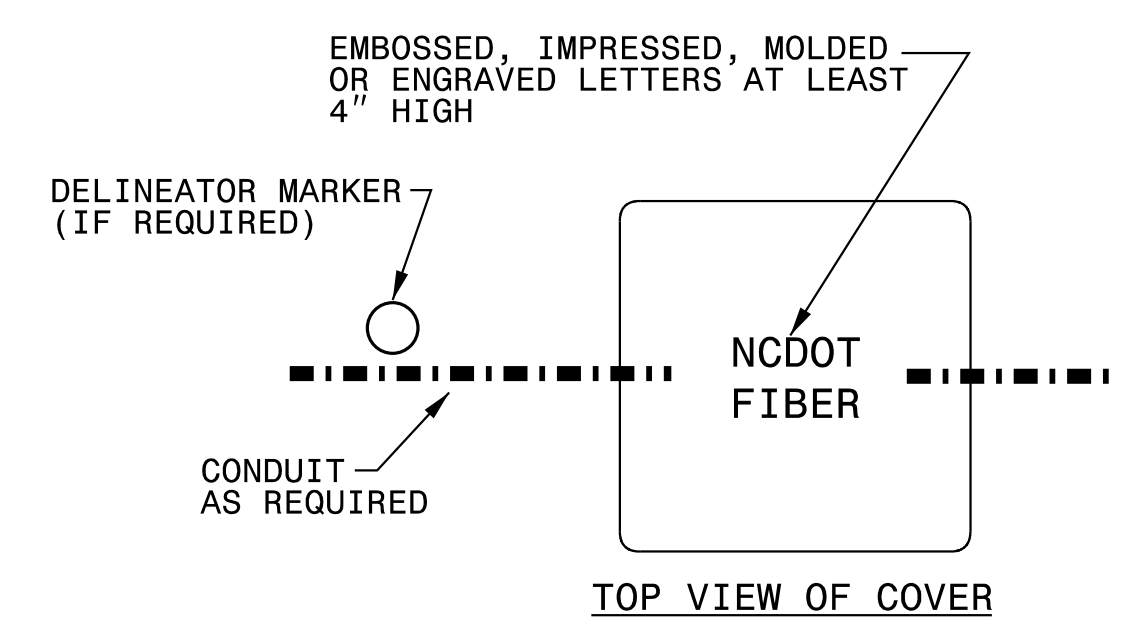


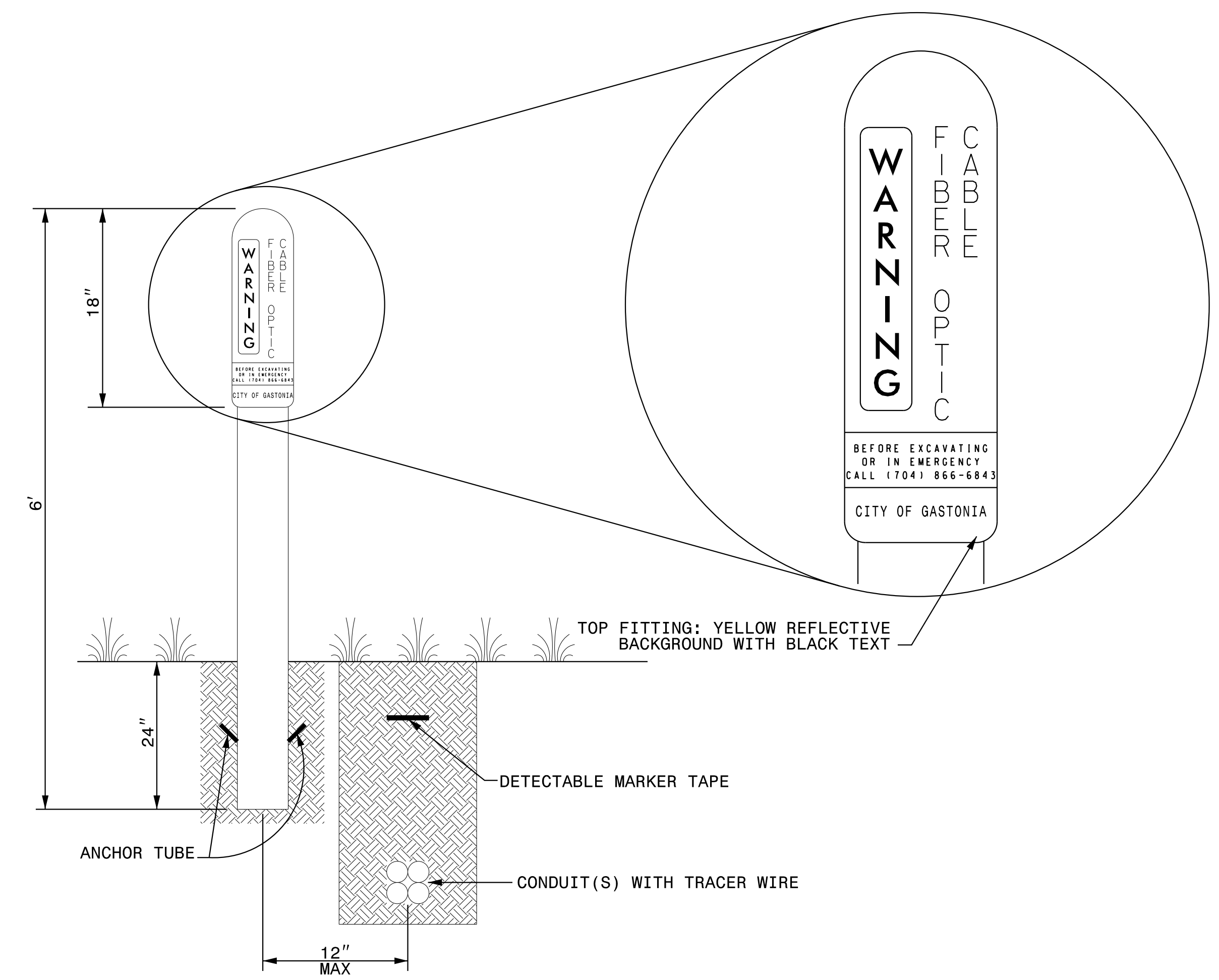
**OVERSIZED HEAVY DUTY JUNCTION BOX
TYPICAL DETAIL**



**STANDARD JUNCTION BOX
TYPICAL DETAIL**



**SPECIAL OVERSIZED JUNCTION BOX
TYPICAL DETAIL**



PVC POST-MOUNTED DELINEATOR MARKER
NOTE:
BACKFILL WITH EXCAVATED MATERIAL AND COMPACT THE SOIL TO 95% OF ITS ORIGINAL DENSITY. REMOVE ROCK AND DEBRIS FROM BACKFILL MATERIAL.

3/21/2022 \\kimley-horn.com\SE\RAL\N\RAL_TPTO\ITS\01036569 Gastonia Signal System\6 Tasks\Plans\ITS_Details\C-5703_ITS_psn_8.dgn

Plans Prepared For:

 250 N. Greenfield Place, Garner, NC 27529

CITY OF GASTONIA COMPUTERIZED SIGNAL SYSTEM JUNCTION BOX AND DELINEATOR MARKER DETAILS	
DIVISION 12	GASTON COUNTY
PLAN DATE: DECEMBER 2021	REVIEWED BY: K. SMITH
PREPARED BY: S. BUTLER	REVIEWED BY: I. VAN OSDELL
REVISIONS	INIT. DATE

Kimley»Horn
 NC License #F-0102
 421 Fayetteville St., Suite 600
 Raleigh, NC 27601
 Tel: (919) 677-2000
 Fax: (919) 677-2050

SEAL

 Iger Van Osdel
 3/21/2022
 DATE