

**BASE EXTENSION FOR 332 CABINET**

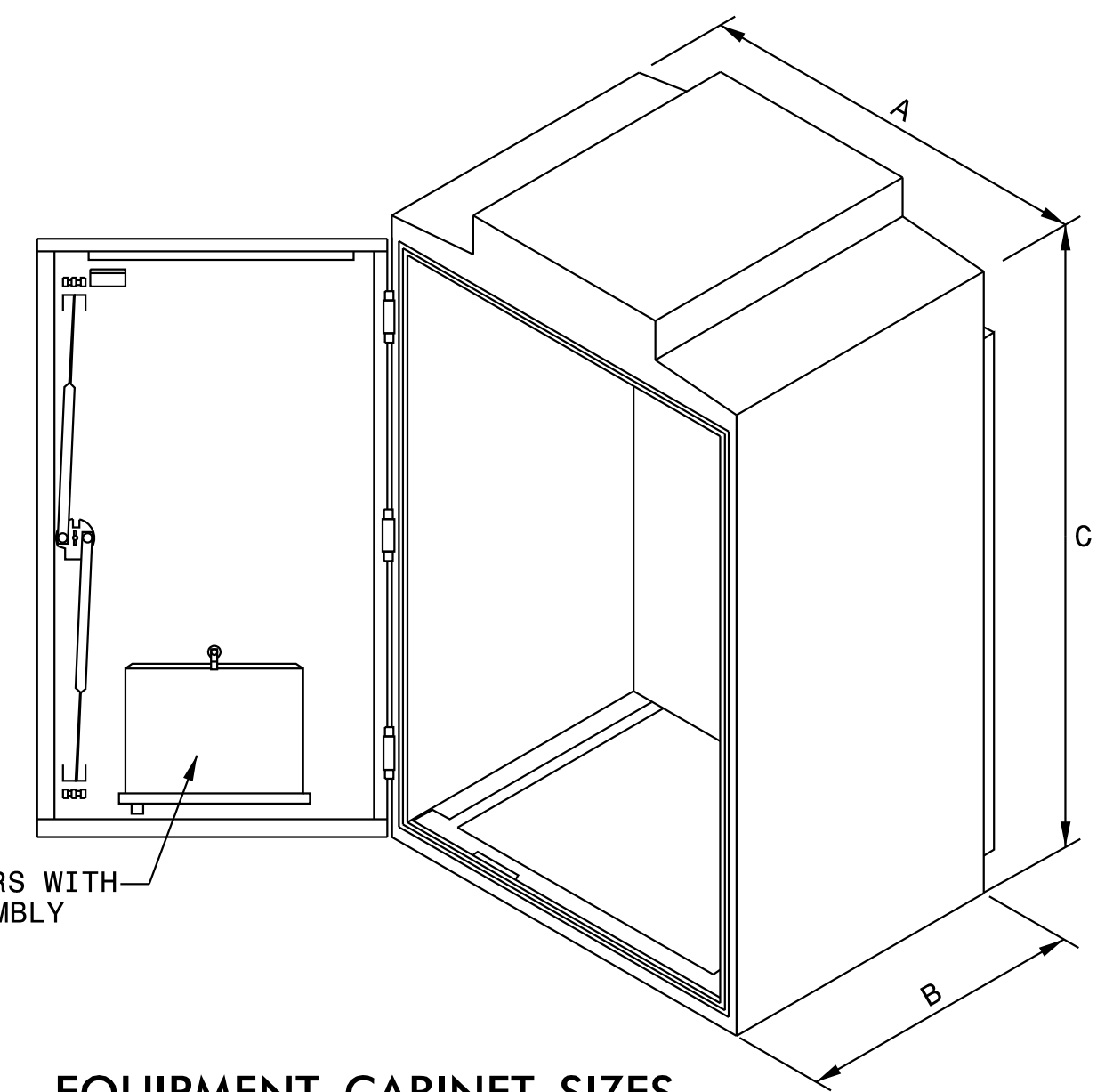
**NOTES**

1. BASE EXTENDER BOLT HOLE PATTERN AND SPACING SHALL MATCH THAT OF EQUIPMENT CABINET.
2. DIMENSIONS SHOWN FOR BASE EXTENDER ARE APPROXIMATE OUTER DIMENSIONS, DIMENSIONS FOR CENTER OPENING AND FLANGE DIMENSIONS SHALL MATCH THOSE OF EQUIPMENT CABINET.
3. FABRICATE BASE EXTENDER FROM SAME MATERIAL AND SAME GAUGE AS EQUIPMENT CABINET. BASE EXTENDER SHALL HAVE FINISH THAT IS IDENTICAL TO EQUIPMENT CABINET.

**CABINET HOUSING DIMENSIONS**

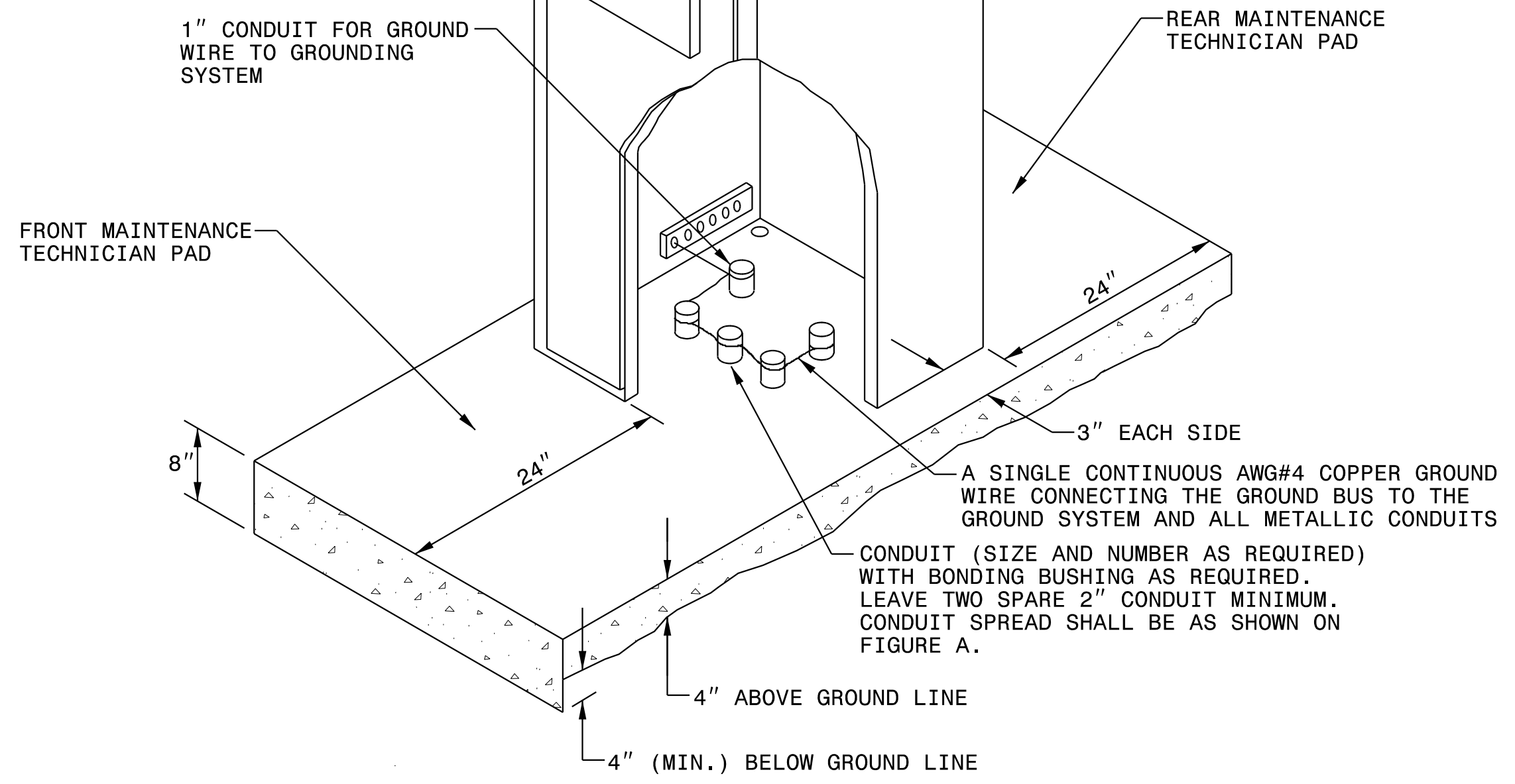
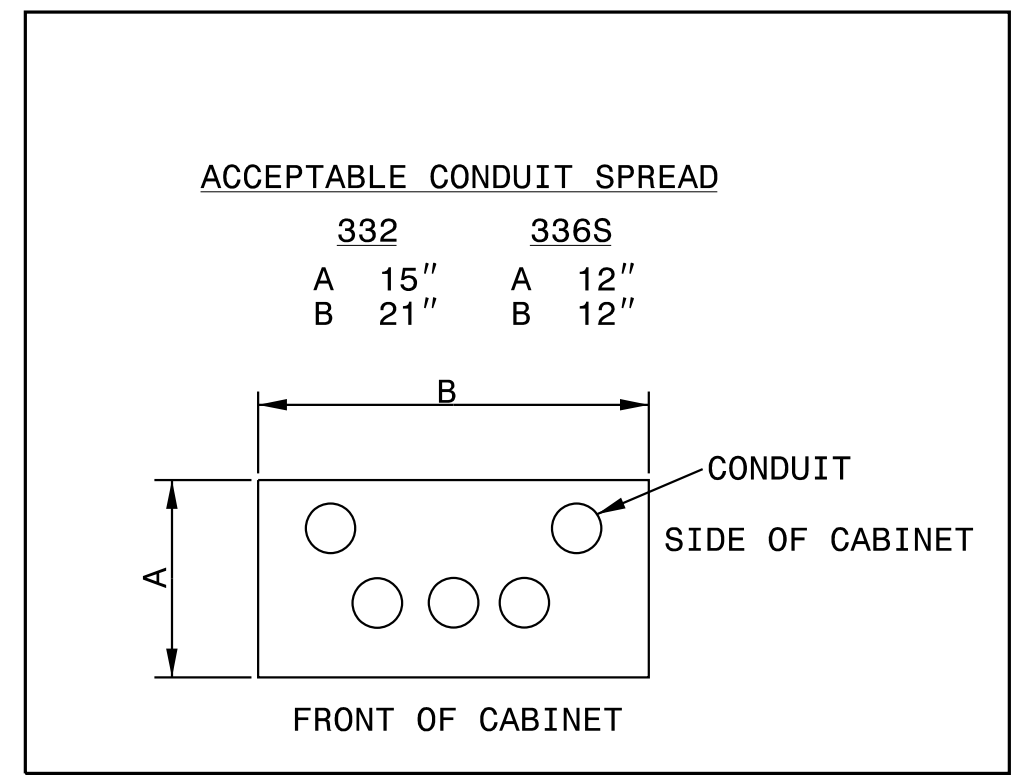
332	336S
A 24"	A 24"
B 30"	B 20"
C 64"	C 46"

VENTILATION LOUVERS WITH FILTER/SHELL ASSEMBLY



**EQUIPMENT CABINET SIZES**

**FIGURE A**



**TYPICAL BASE MOUNTED CABINET (NEW STANDARD FOUNDATION)**

**Kimley»Horn**  
 NC License #F-0102  
 421 Fayetteville St., Suite 600  
 Raleigh, NC 27601  
 Tel: (919) 677-2000  
 Fax: (919) 677-2050

	<b>CITY OF GASTONIA COMPUTERIZED SIGNAL SYSTEM</b>	
	<b>CABINET DETAILS</b>	
DIVISION 12 PLAN DATE: DECEMBER 2021 PREPARED BY: S. BUTLER	GASTON COUNTY REVIEWED BY: K. SMITH REVIEWED BY: I. VAN OSDELL	
SCALE 0	REVISIONS _____ _____ _____	INIT. DATE _____ _____ _____
DocuSigned by: Roger Van Osdel _____ DATE		3/21/2022 DATE

3/21/2022  
 \\kimley-horn.com\SE\RAL\N\RAL\_TPTD\ITS\01036569\_Gastonia\_Signal\_System\6\_Tasks\Plans\ITS\_Details\C-5703\_ITS\_psn\_6.dgn