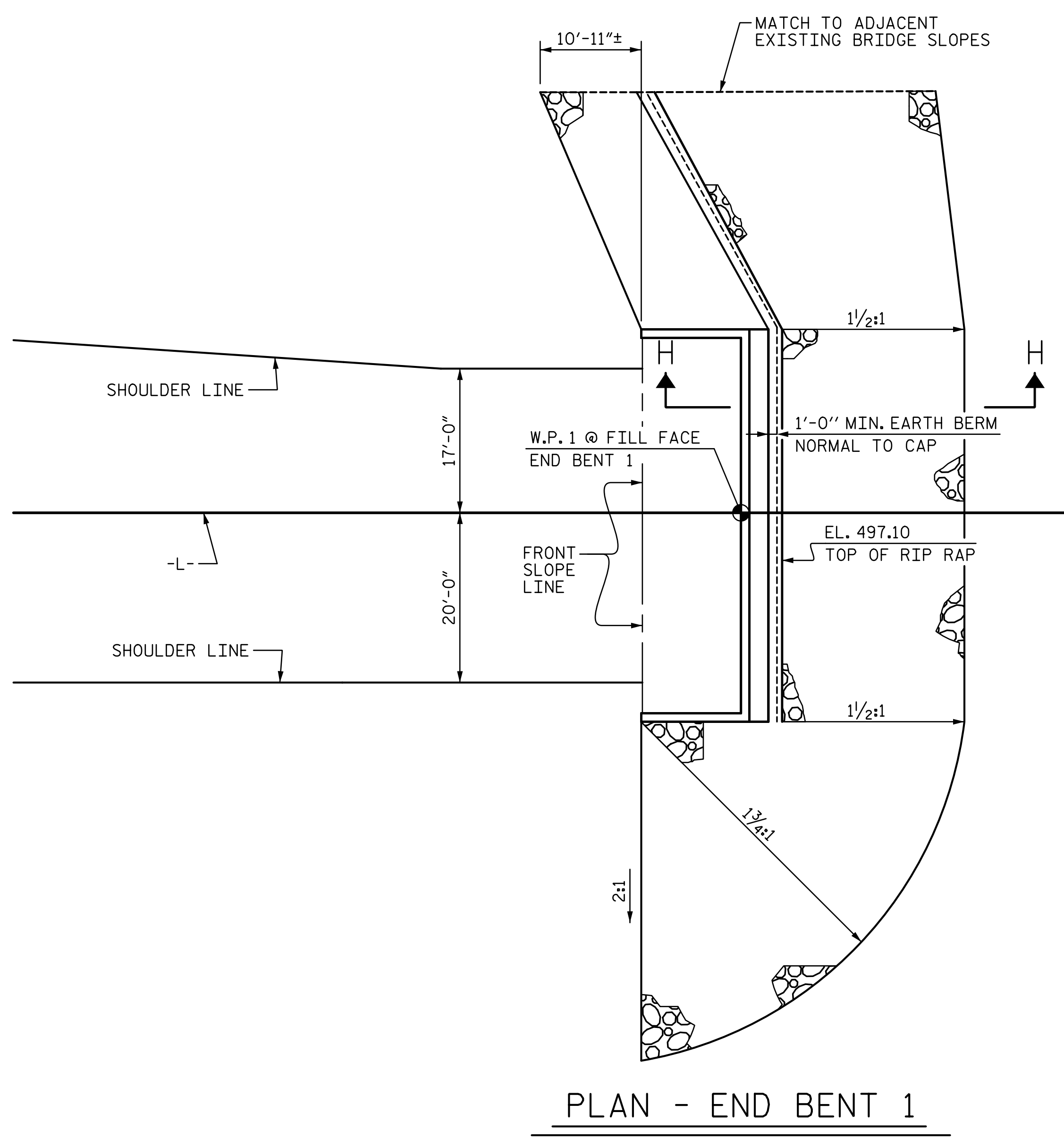
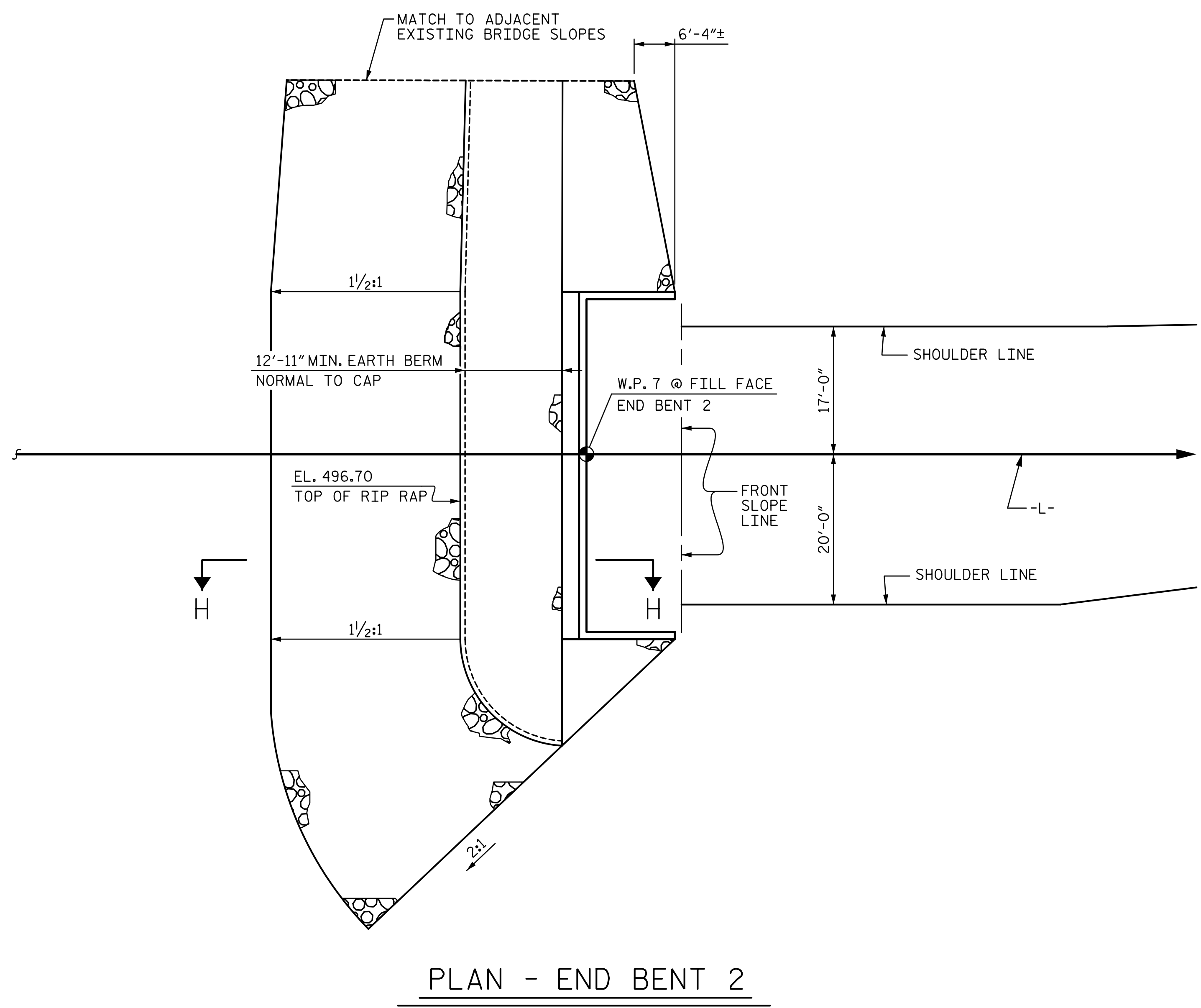


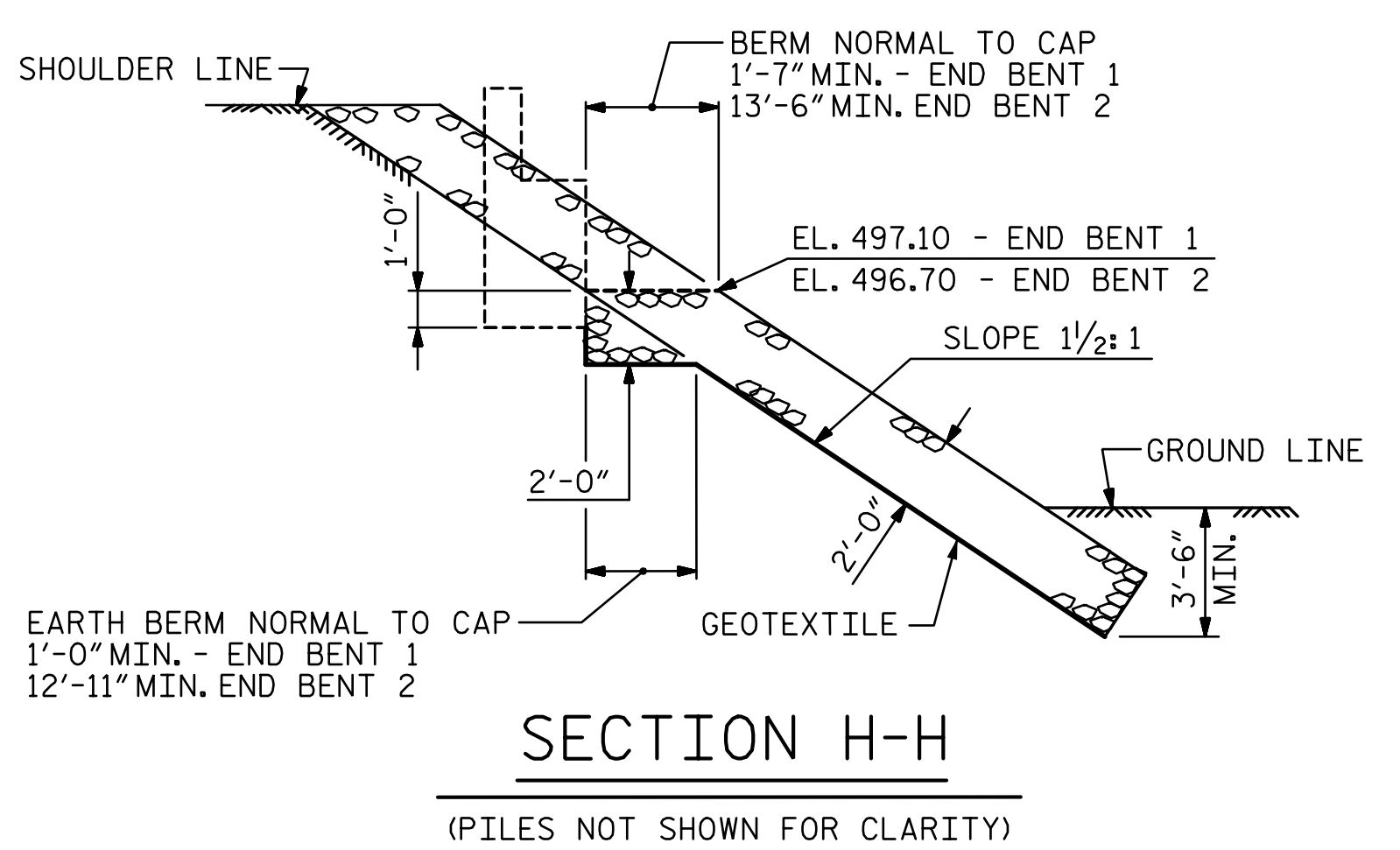
R:\Structures\Station\Finals\401_067_B5810_SMU_RR_034_120022.dgn 4:52:28 PM 1/16/2022



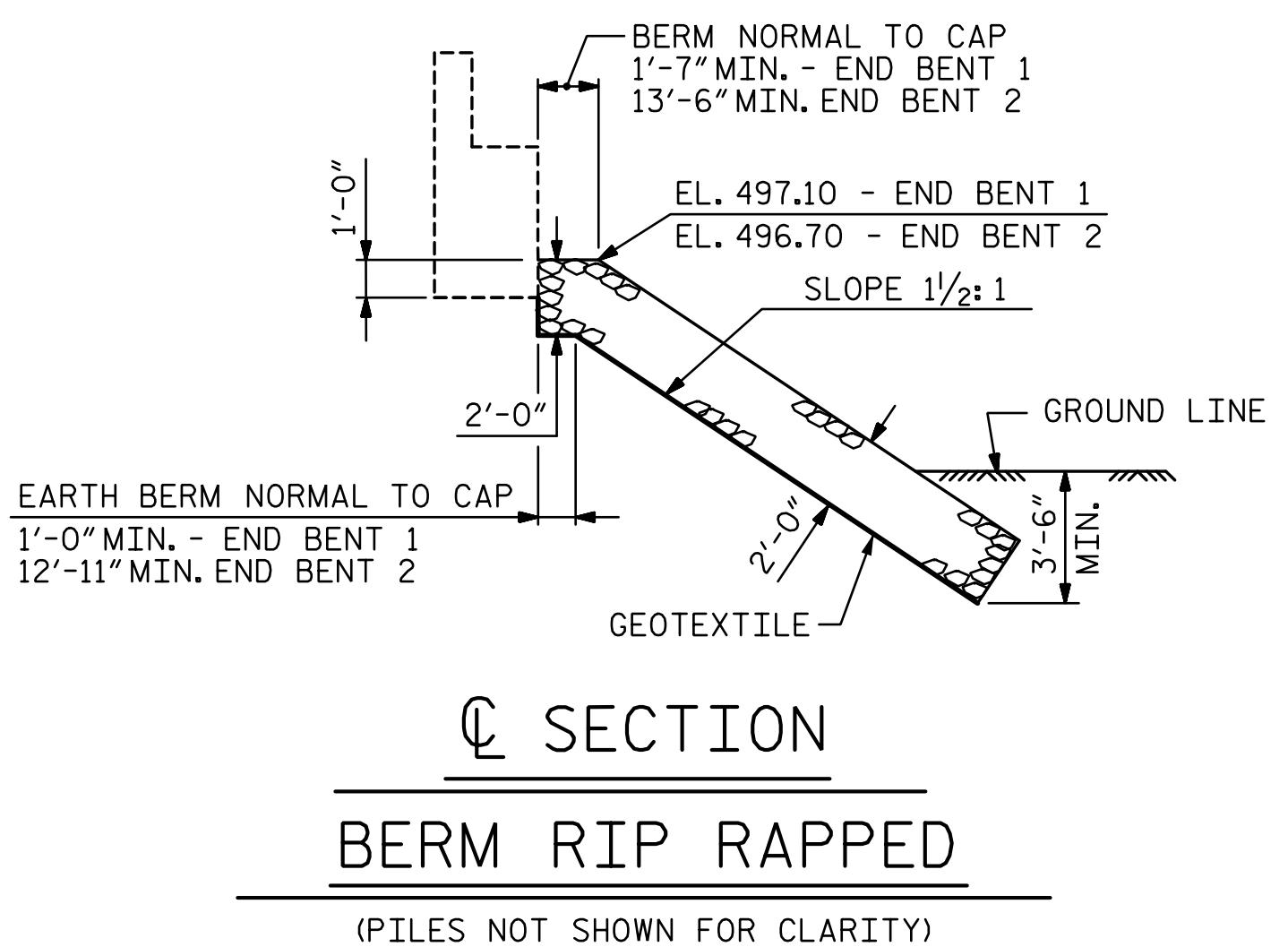
PLAN - END BENT 1



PLAN - END BENT 2



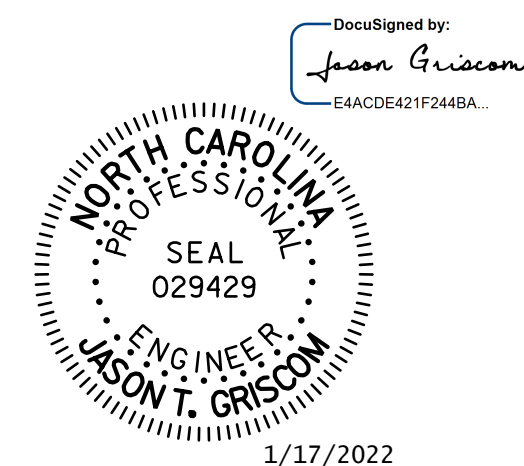
SECTION H-H
(PILES NOT SHOWN FOR CLARITY)



SECTION Q-Q
BERM RIP RAPPED
(PILES NOT SHOWN FOR CLARITY)

ESTIMATED QUANTITIES		
BRIDGE @ STA. 23+17.00 -L-	RIP RAP CLASS II (2'-0" THICK)	GEOTEXTILE FOR DRAINAGE
	TONS	SQUARE YARDS
END BENT 1	455	505
END BENT 2	545	605

PROJECT NO. B-5810
CABARRUS COUNTY
 STATION: 23+17.00 -L-



STV 100 YEARS
 STV ENGINEERS, INC.
 900 West Trade St., Suite 715
 Charlotte, NC 28202
 NC License Number F-0991

DOCUMENT NOT CONSIDERED
 FINAL UNLESS ALL
 SIGNATURES COMPLETED

STATE OF NORTH CAROLINA DEPARTMENT OF TRANSPORTATION RALEIGH				
RIP RAP DETAILS				
REVISIONS				SHEET NO.
NO.	BY:	DATE:	NO.	DATE:
1			3	
2			4	
				S-34
				TOTAL SHEETS 36

ASSEMBLED BY : LGH DATE : 6-19
 CHECKED BY : MLO DATE : 12-19
 DESIGN ENGINEER OF RECORD : J. GRISCOM DATE : 1-22