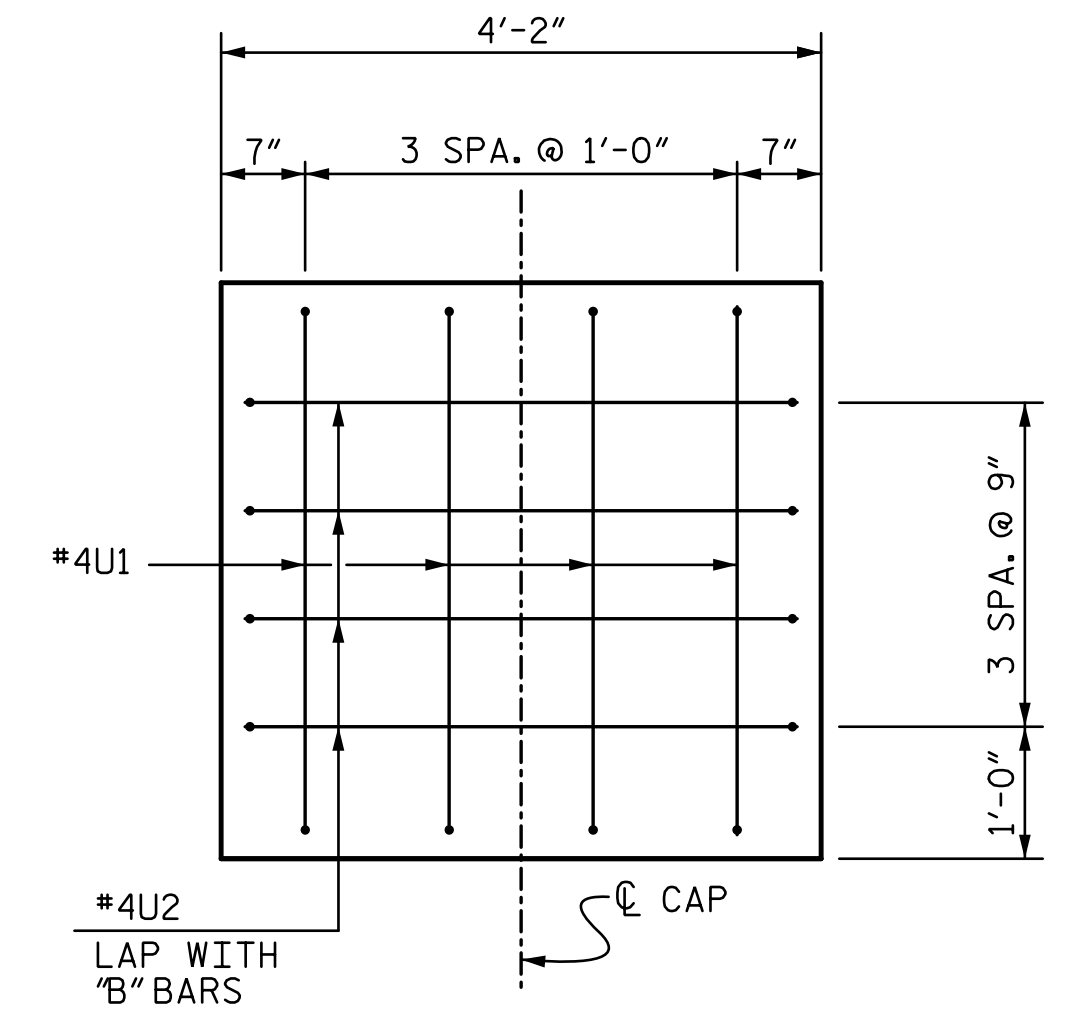
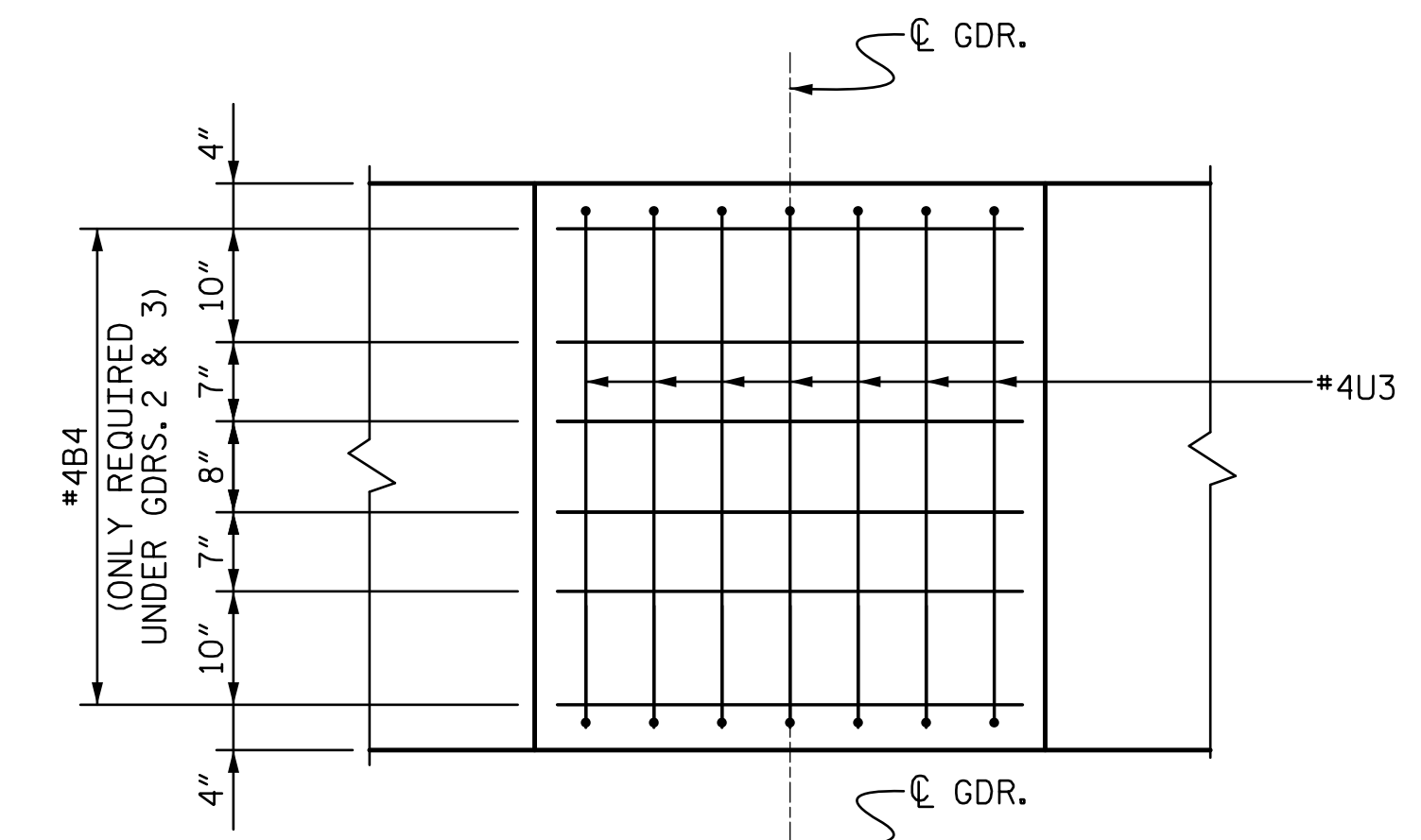


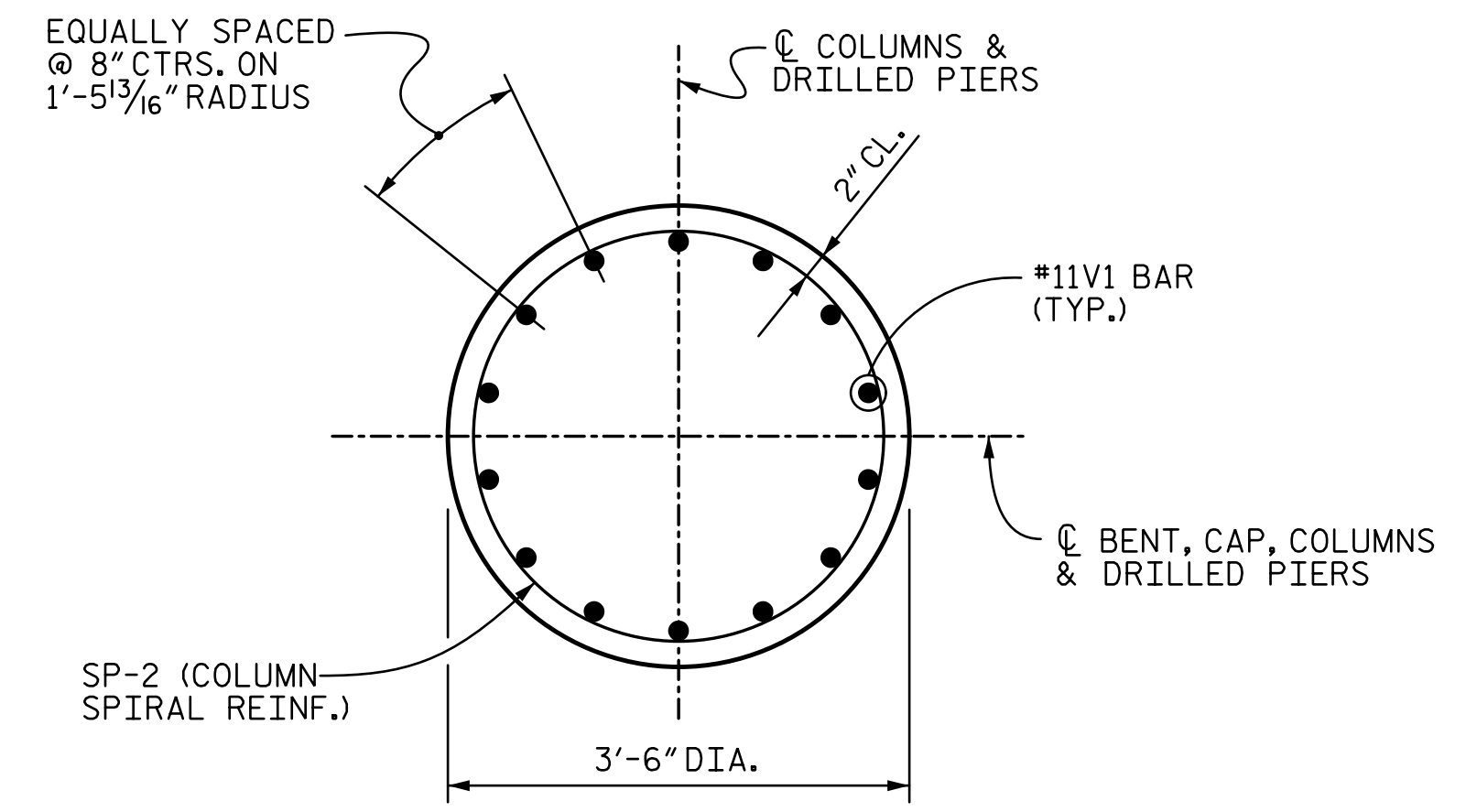
SECTION A-A



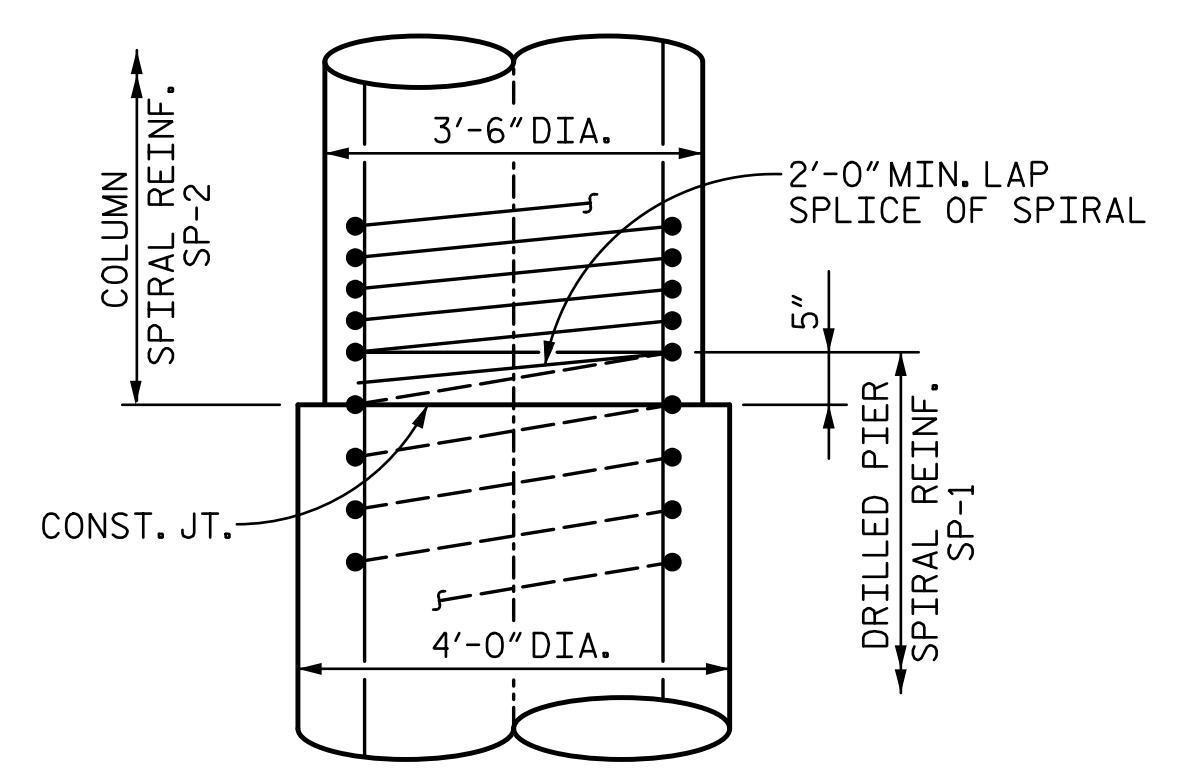
END VIEW B-B
(RIGHT END SHOWN, LEFT END SIMILAR)



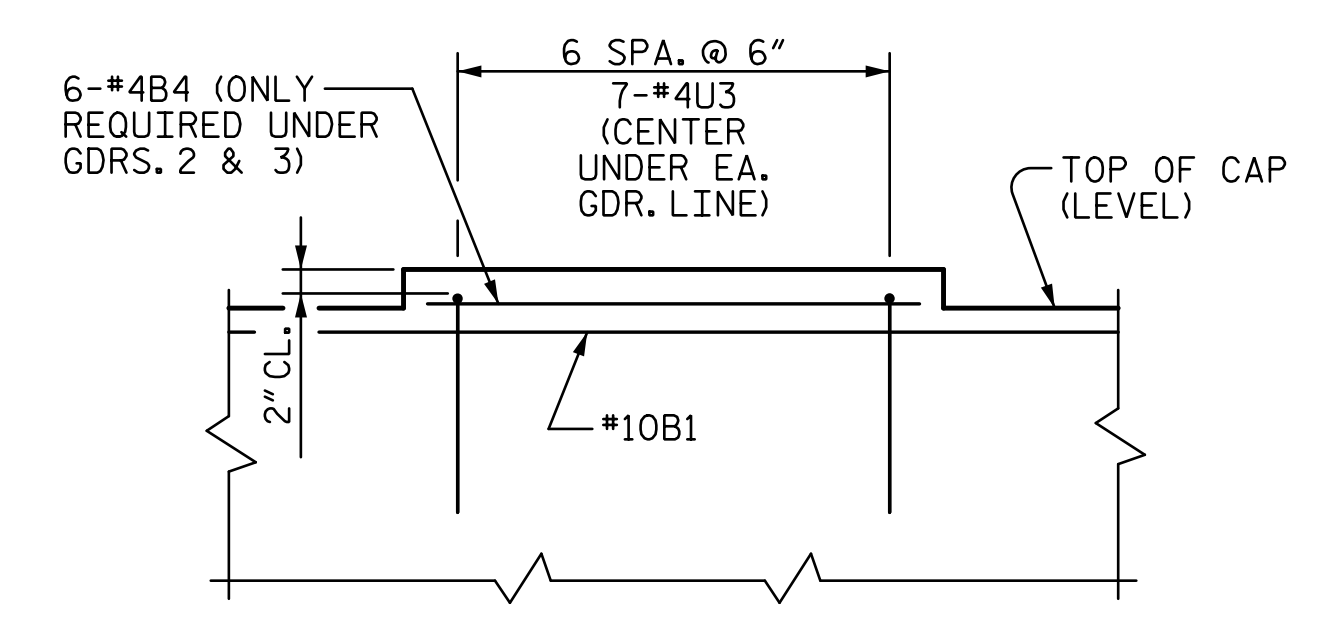
PLAN



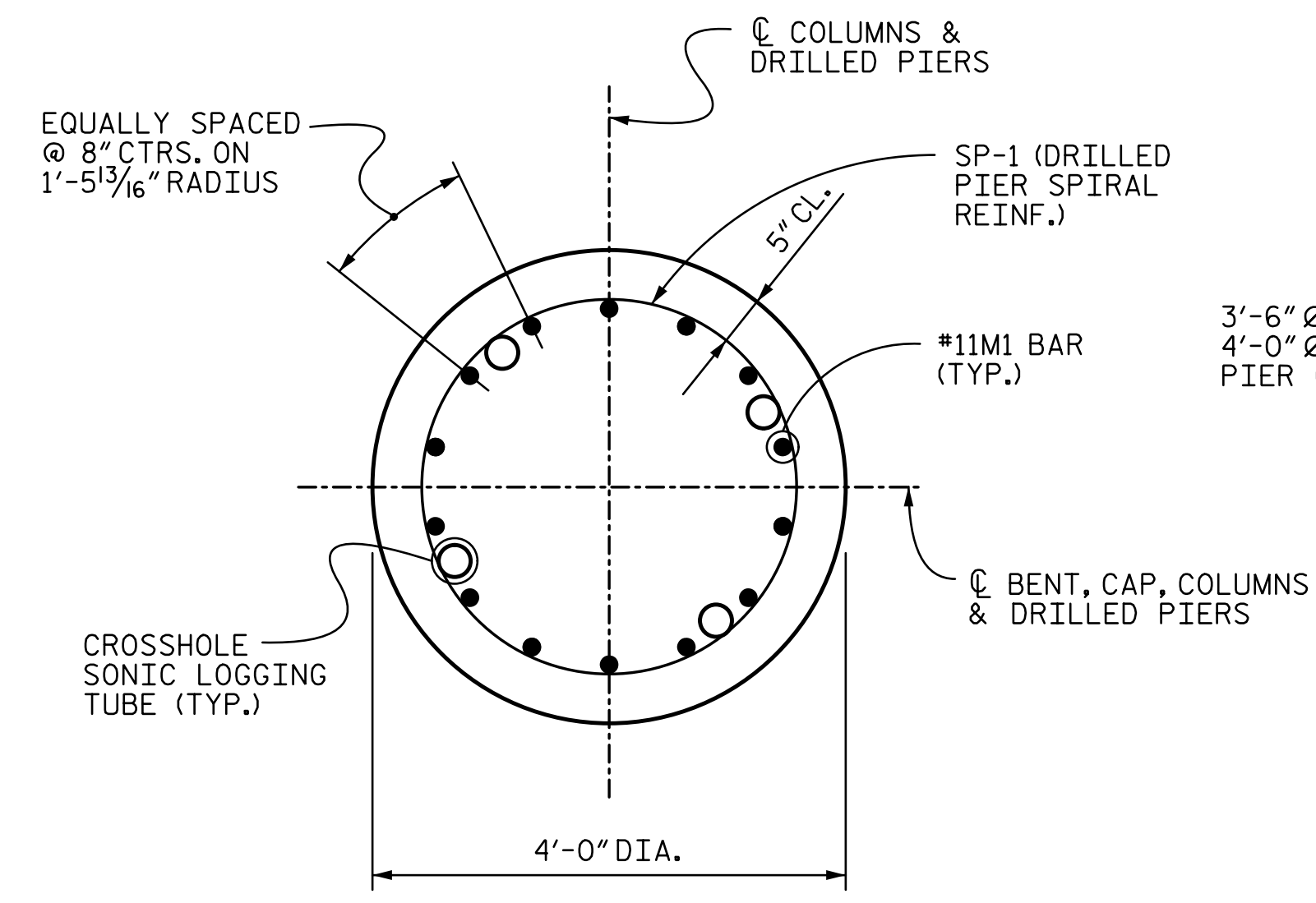
TYPICAL SECTION THROUGH COLUMN



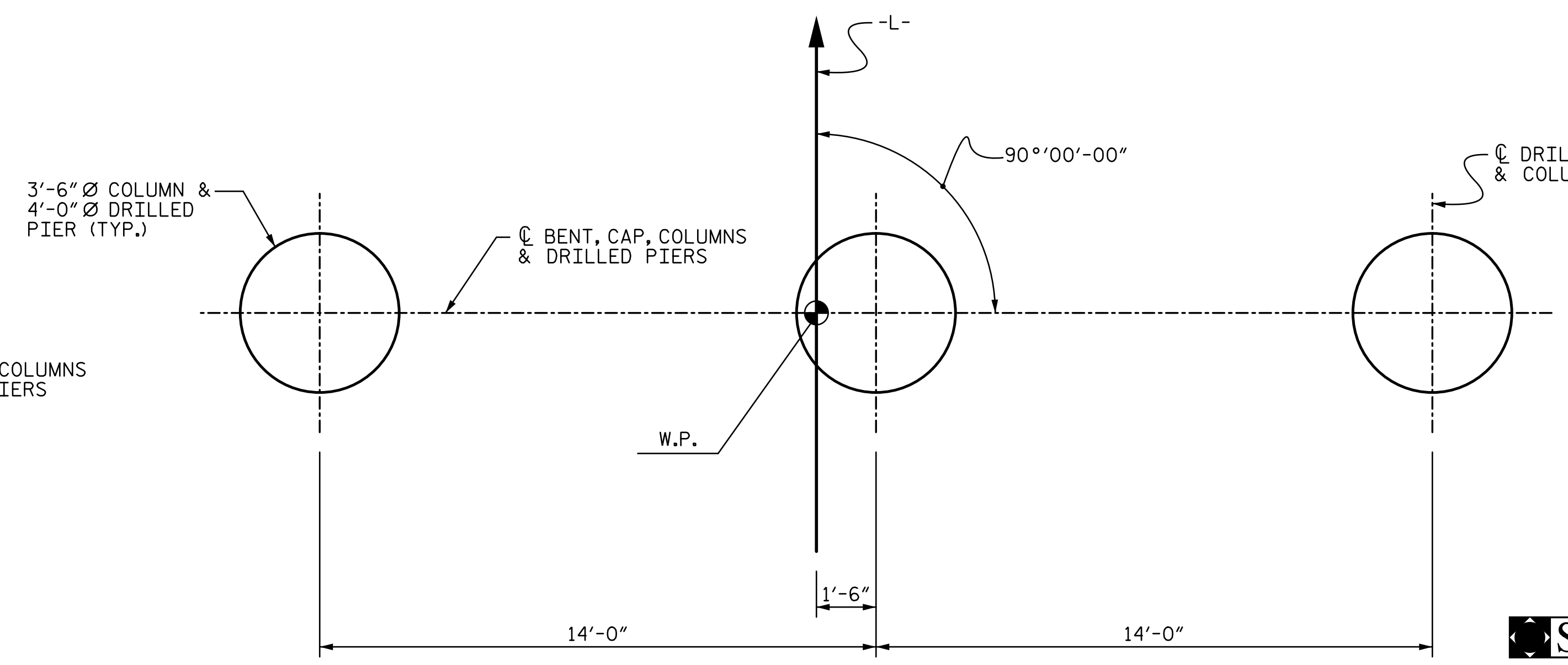
CONST. JT. DETAIL



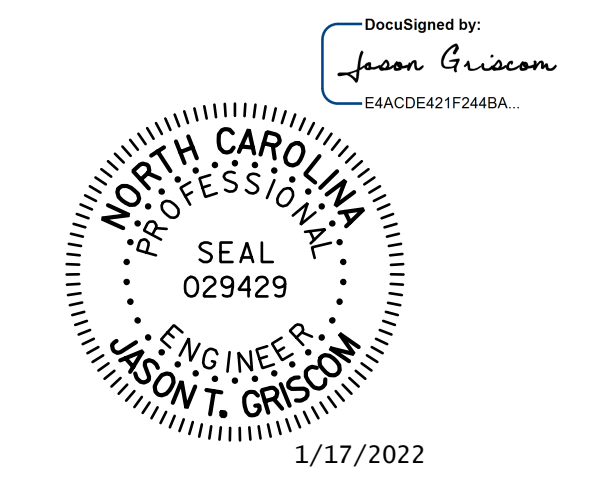
BEARING AREA REINFORCEMENT DETAIL
(REINFORCING UNDER GIRDER 2 SHOWN, OTHER GIRDERS SIMILAR)



TYPICAL SECTION THROUGH DRILLED PIER



PLAN OF DRILLED PIERS & COLUMNS



STV ENGINEERS, INC.
100 West Trade St., Suite 715
Charlotte, NC 28202
NC License Number F-0991

DOCUMENT NOT CONSIDERED FINAL UNLESS ALL SIGNATURES COMPLETED

PROJECT NO. B-5810
CABARRUS COUNTY
STATION: 23+17.00 -L-
SHEET 2 OF 3

STATE OF NORTH CAROLINA DEPARTMENT OF TRANSPORTATION RALEIGH					
BENTS 1-5					
REVISIONS					
NO.	BY:	DATE:	NO.	BY:	DATE:
1			3		
2			4		
					SHEET NO. S-32
					TOTAL SHEETS 36

R:\Structures\Station\Finals\401_063_B5810_SMU_B2_032_120022.dgn 4:52:17 PM 1/16/2022

ASSEMBLED BY : LGH DATE : 6-19
CHECKED BY : MLO DATE : 12-19
DESIGN ENGINEER OF RECORD : J. GRISCOM DATE : 1-22