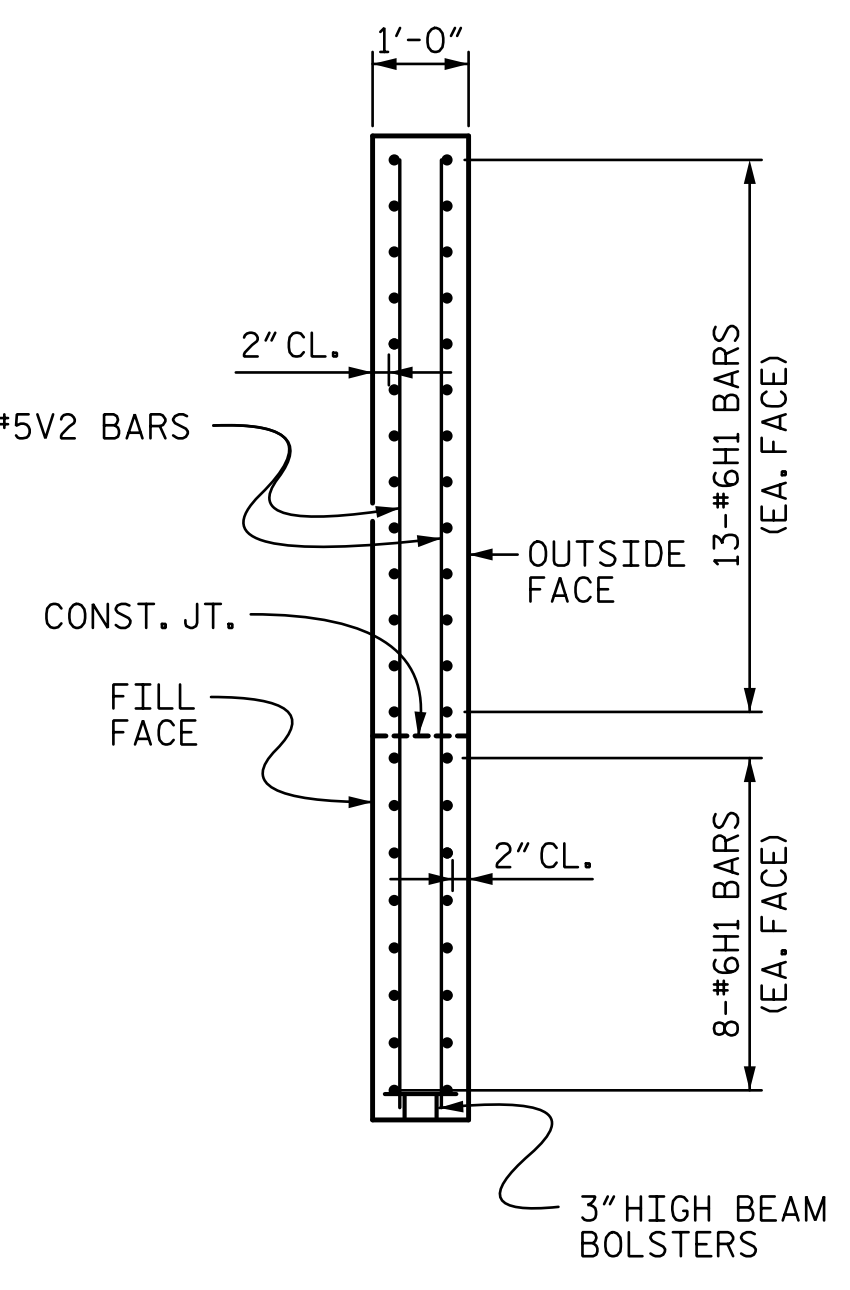
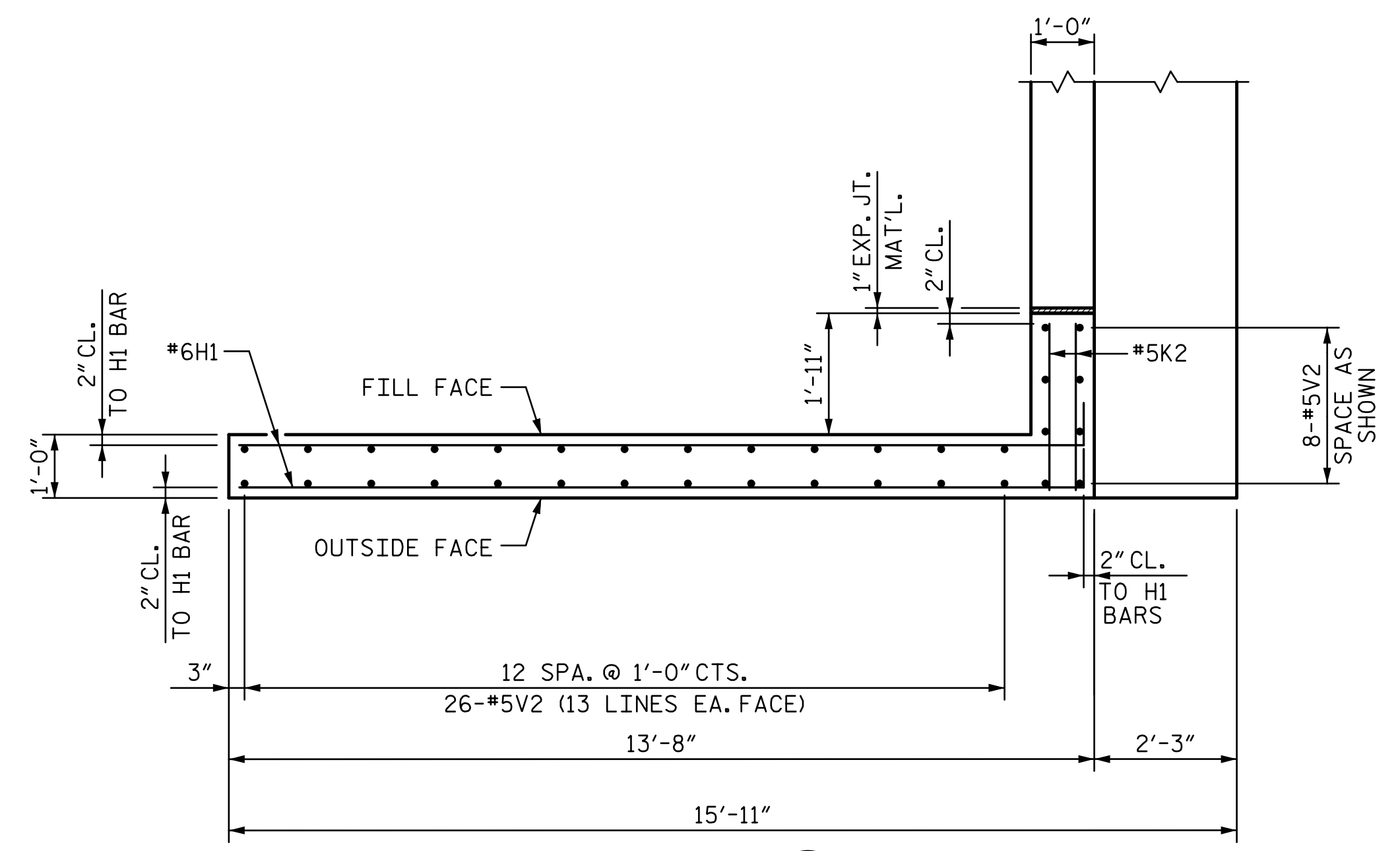


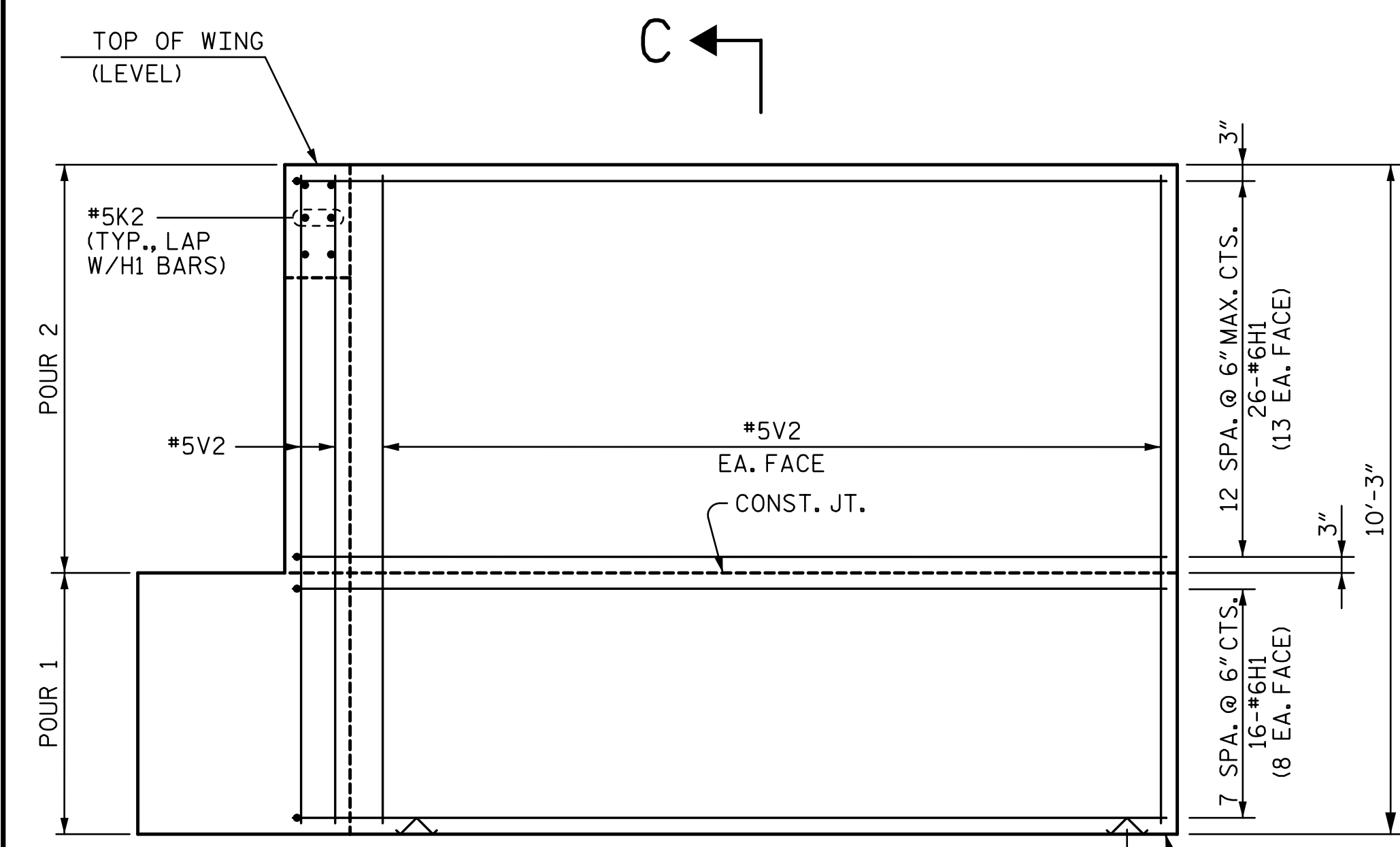
PLAN (W1)



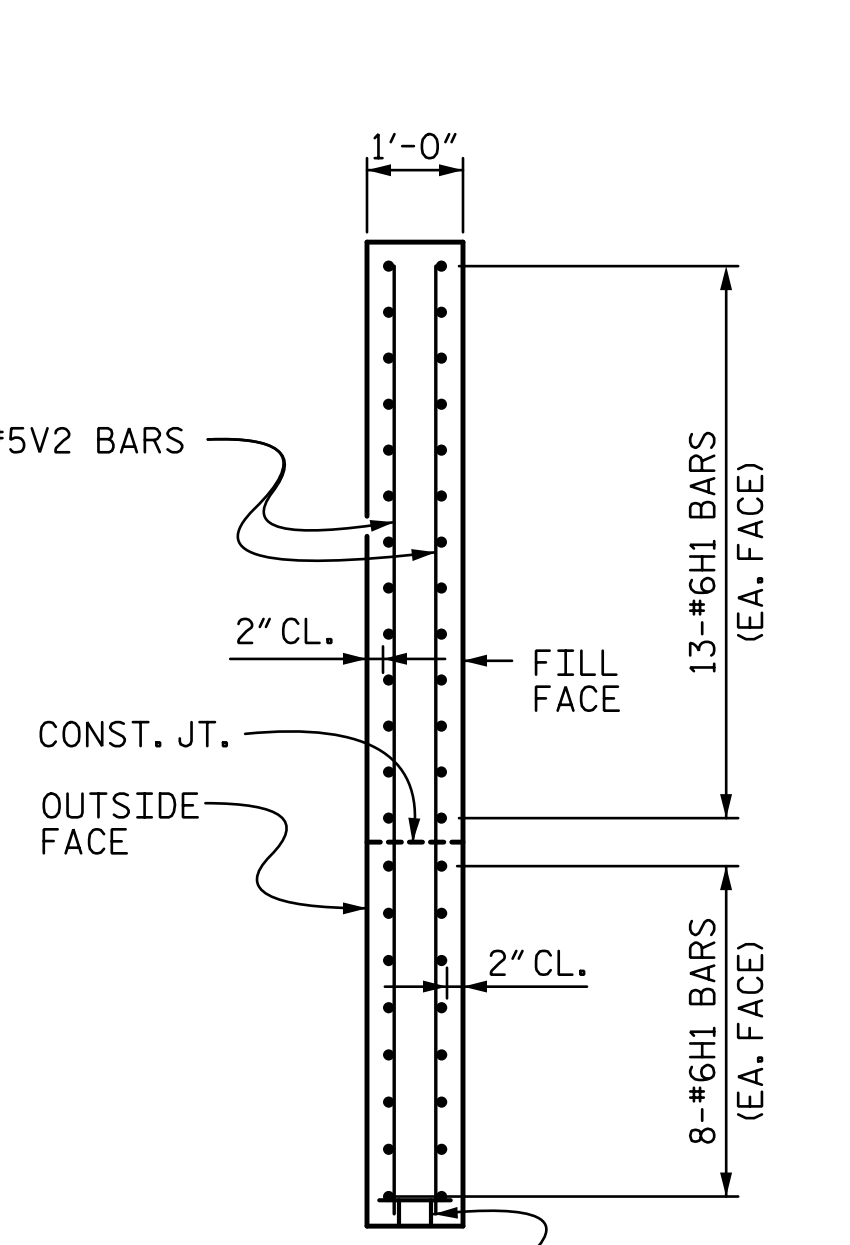
SECTION D-D



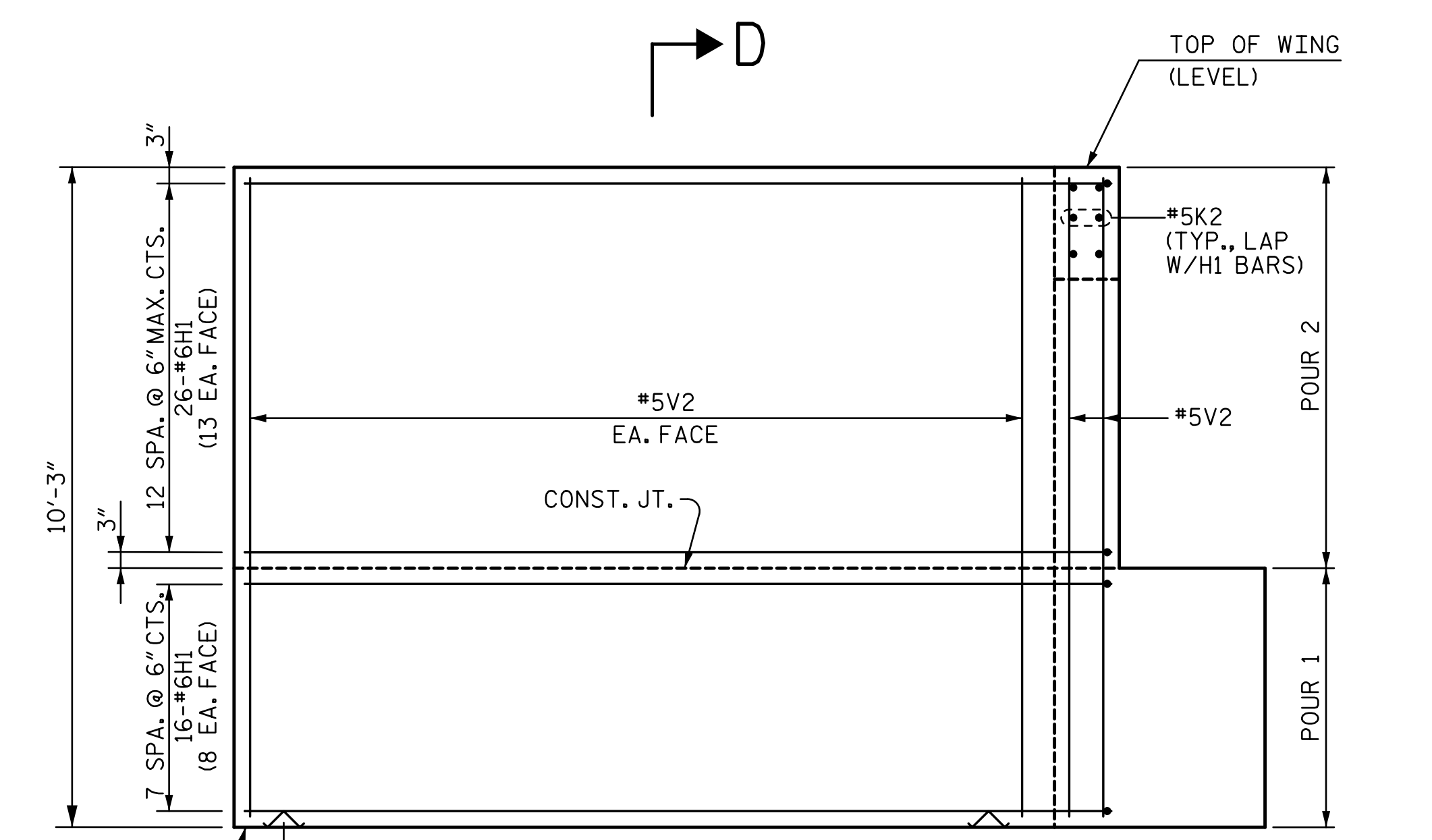
PLAN (W2)



ELEVATION (W1)



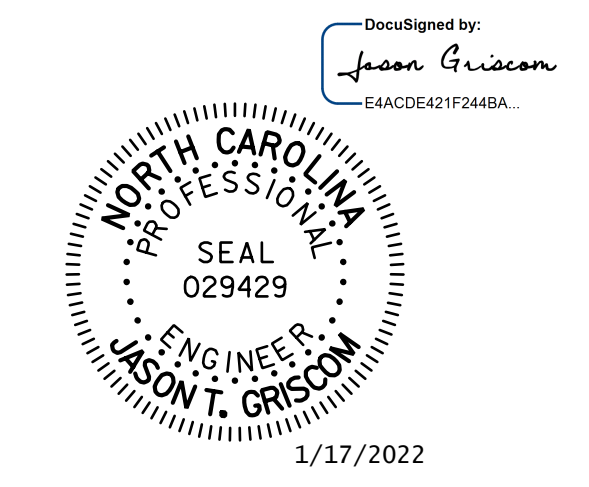
SECTION C-C



ELEVATION (W2)

R:\Structures\Station\Finals\401_051_B5810_SMU_E3_029_120022.dgn 4:52:03 PM 1/16/2022 igr\scm

ASSEMBLED BY : LGH DATE : 6-19
 CHECKED BY : MLO DATE : 12-19
 DESIGN ENGINEER OF RECORD : J. GRISCOM DATE : 1-22



STV 100 YEARS STV ENGINEERS, INC.
 900 West Trade St., Suite 715
 Charlotte, NC 28202
 NC License Number F-0991

DOCUMENT NOT CONSIDERED
 FINAL UNLESS ALL
 SIGNATURES COMPLETED

PROJECT NO. B-5810
CABARRUS COUNTY
 STATION: 23+17.00 -L-
 SHEET 3 OF 4

STATE OF NORTH CAROLINA DEPARTMENT OF TRANSPORTATION RALEIGH					
END BENT WING WALLS					
REVISIONS					SHEET NO.
NO.	BY:	DATE:	NO.	BY:	DATE:
1			3		
2			4		
					S-29
					TOTAL SHEETS 36