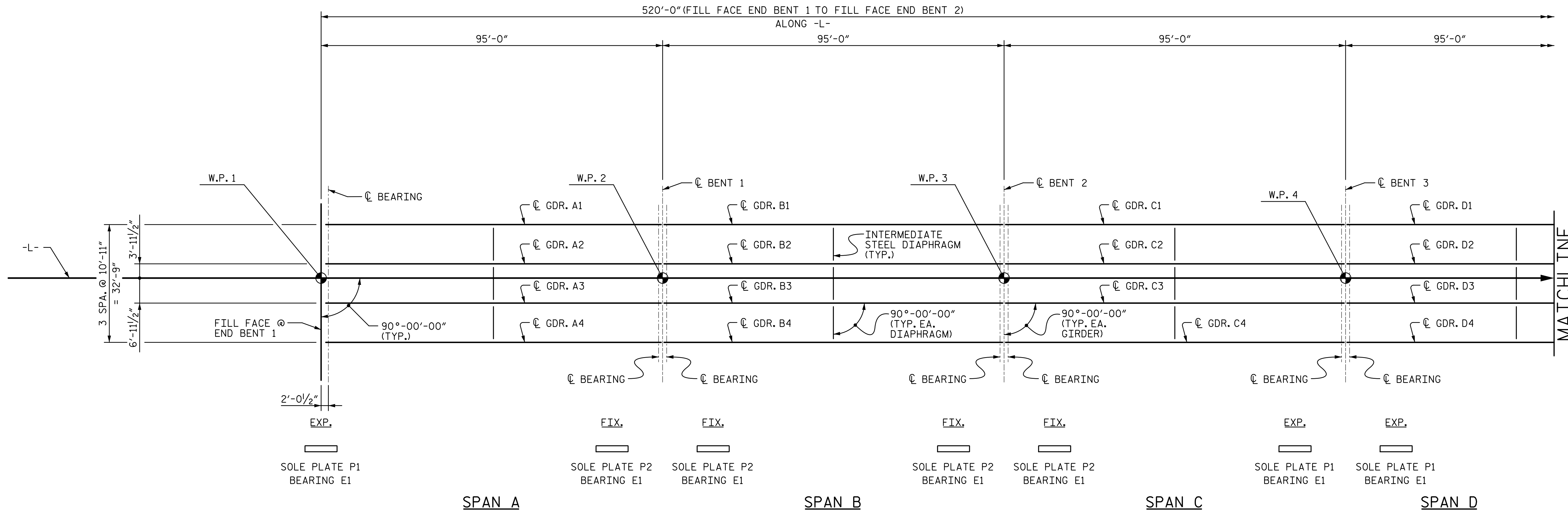


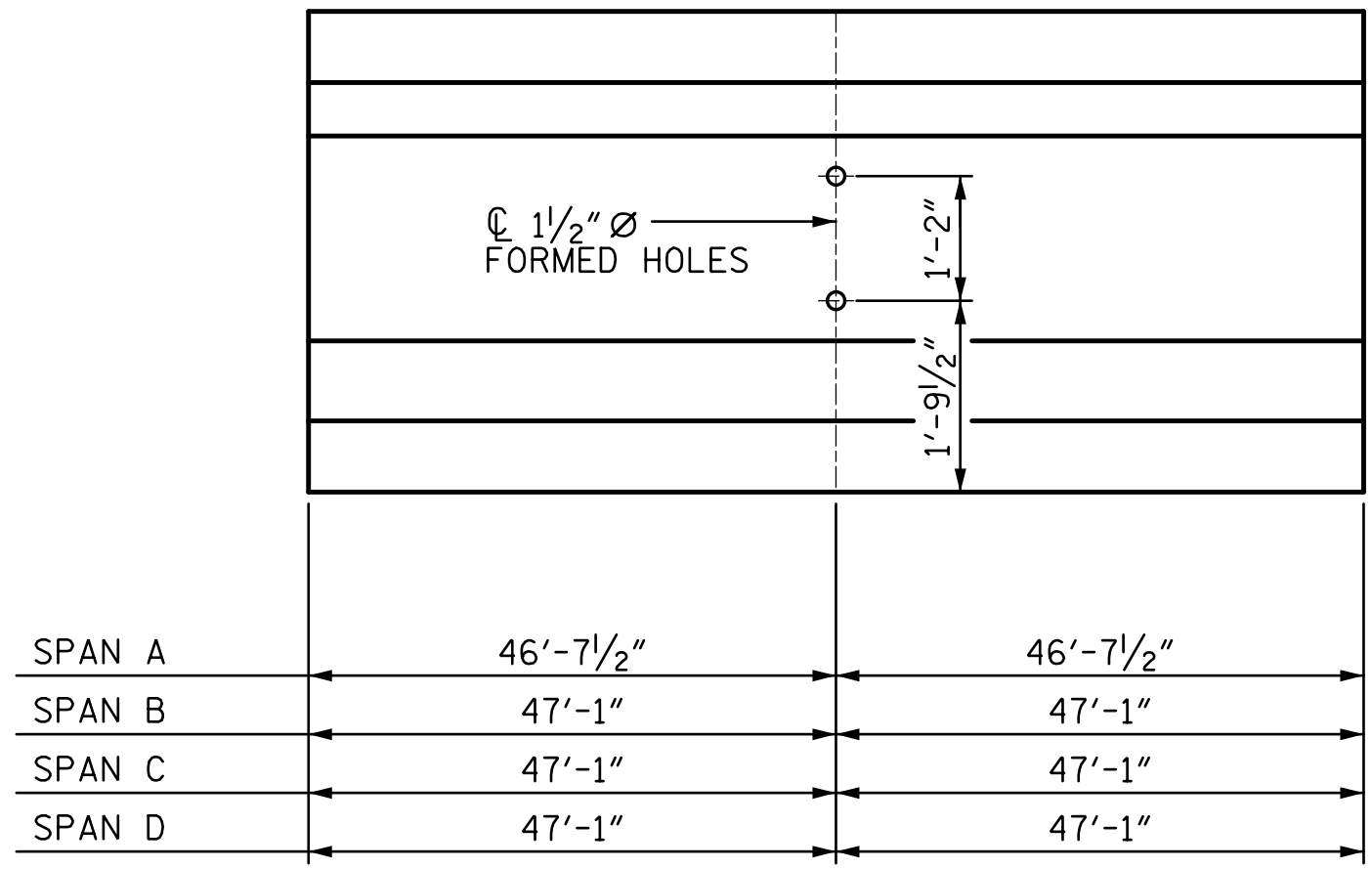
R:\Structures\Station\Finals\401_023_B5810_SMU_FPL_012_120022.dgn 1/16/2022 4:50:36 PM



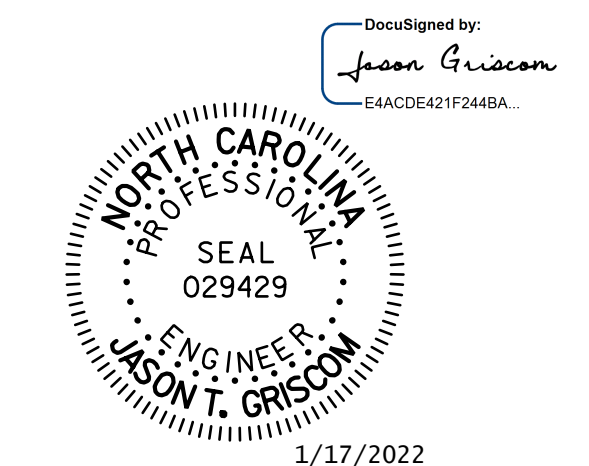
MATCHLINE SHEET 2 OF 2

FRAMING PLAN

UPSTATION →



1/2" Ø FORMED HOLE LOCATION



STV 100 Years STV ENGINEERS, INC.
900 West Trade St., Suite 715
Charlotte, NC 28202
NC License Number F-0991

DOCUMENT NOT CONSIDERED FINAL UNLESS ALL SIGNATURES COMPLETED

PROJECT NO. B-5810
CABARRUS COUNTY
STATION: 23+17.00 -L-
SHEET 1 OF 2

STATE OF NORTH CAROLINA
DEPARTMENT OF TRANSPORTATION
RALEIGH

FRAMING PLAN

REVISIONS				SHEET NO.	
NO.	BY:	DATE:	NO.	BY:	DATE:
1			3		
2			4		

TOTAL SHEETS: 36

ASSEMBLED BY : LGH DATE : 6-19
CHECKED BY : MLO DATE : 12-19
DESIGN ENGINEER OF RECORD : J. GRISCOM DATE : 1-22