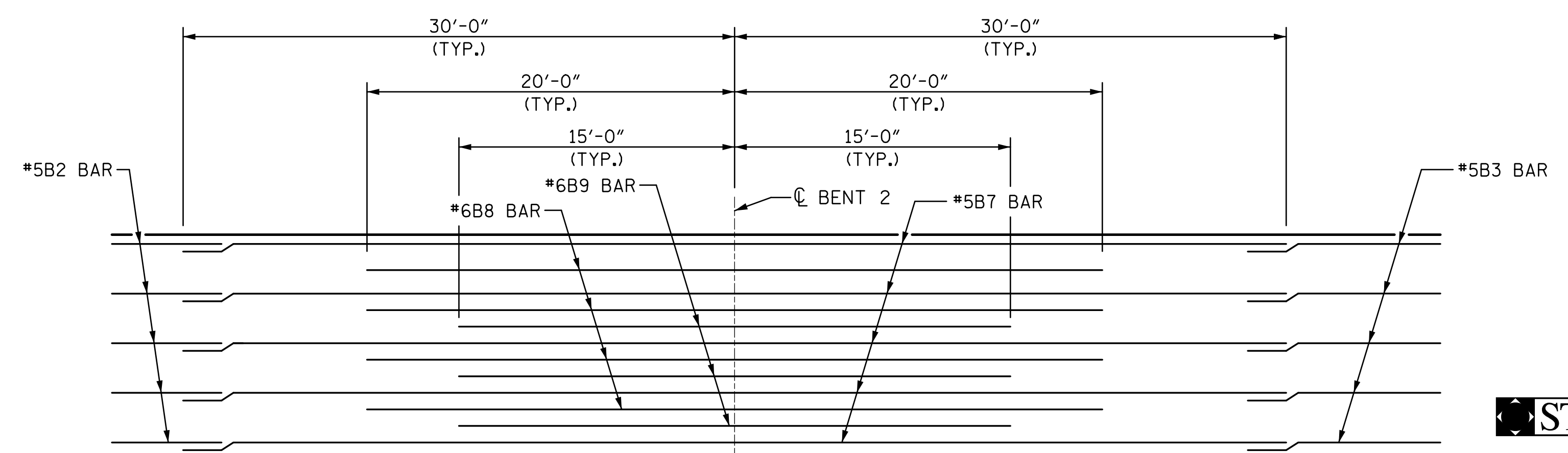
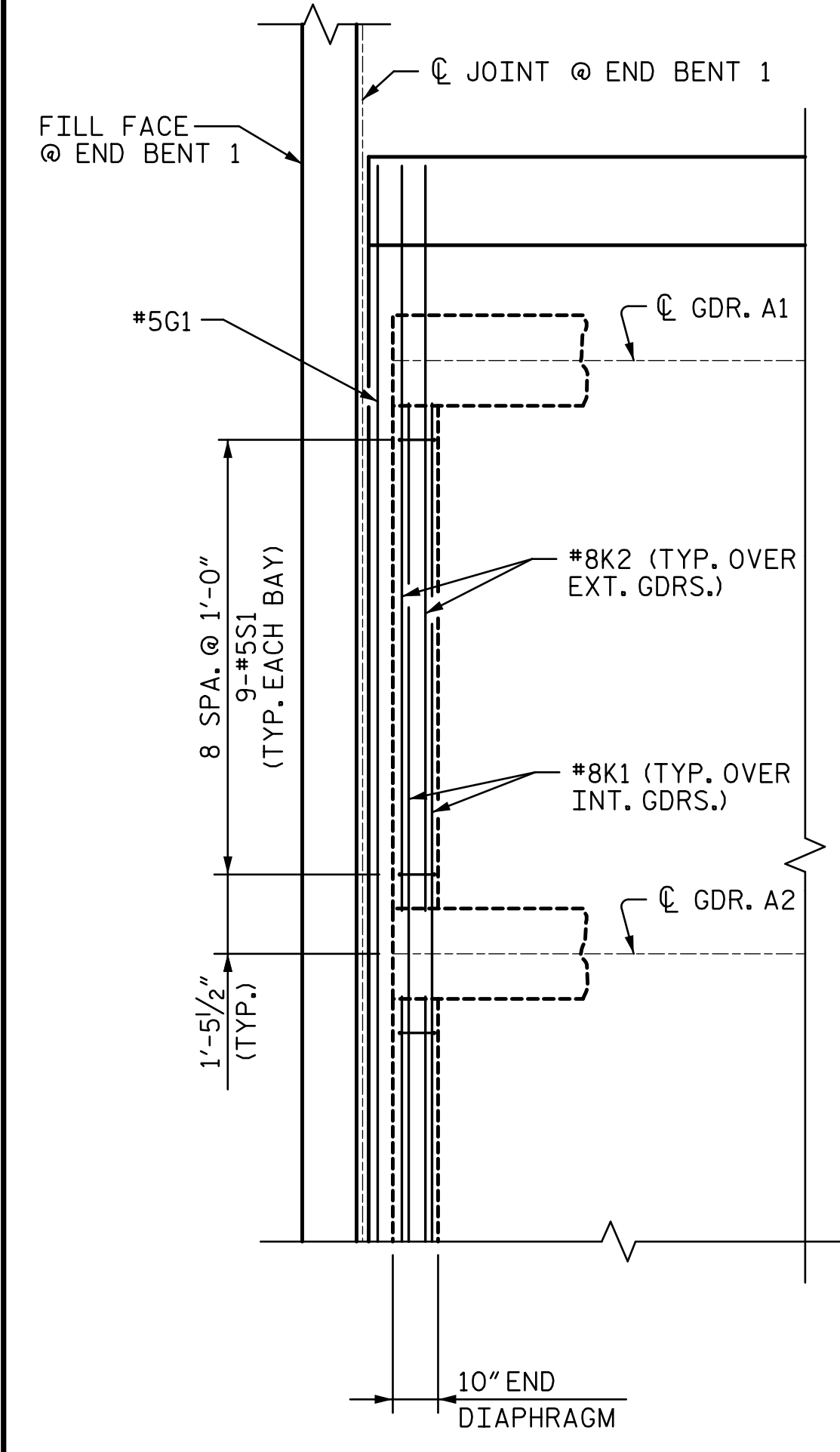
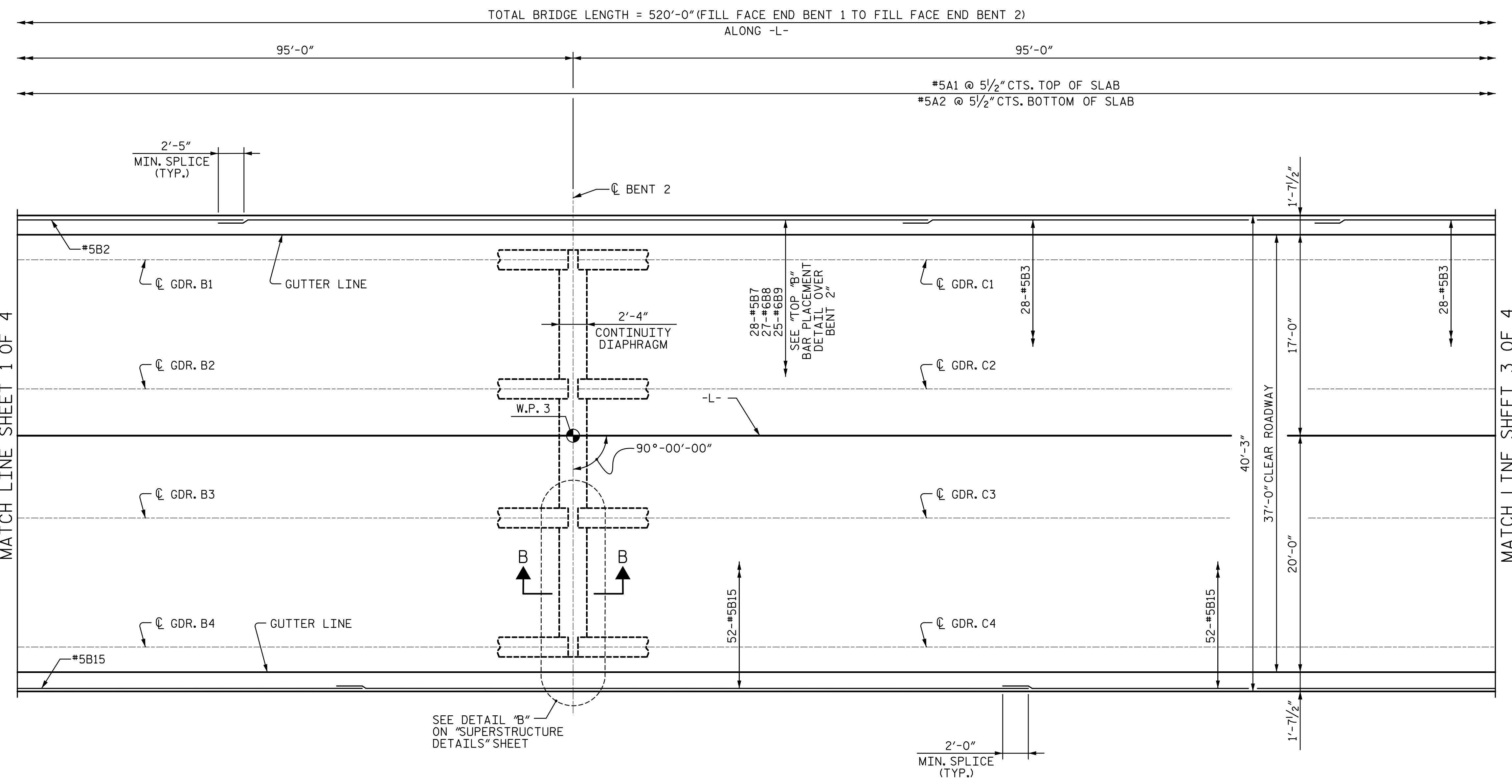


NOTES:
FOR NOTES, SEE SHEET 1 OF 4.



R:\Structures\Station\Finals\401_OT_B5810_SMU_S2_009_120022.dgn
1/16/2022 4:50:23 PM
1gr\scm

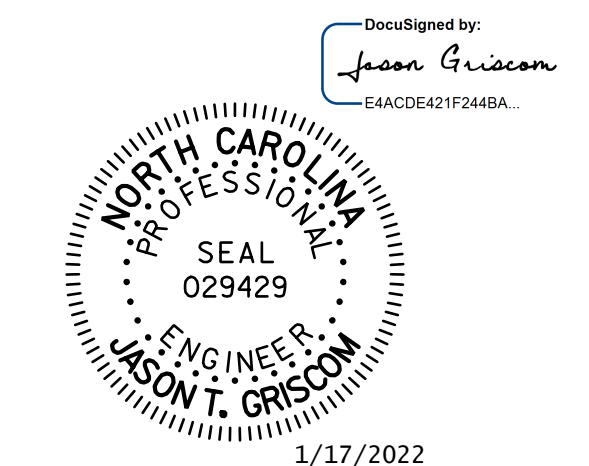
MATCH LINE SHEET 1 OF 4

MATCH LINE SHEET 3 OF 4

SPAN B

SPAN C

PROJECT NO. B-5810
CABARRUS COUNTY
STATION: 23+17.00 -L-
SHEET 2 OF 4



STV 100 YEARS STV ENGINEERS, INC.
900 West Trade St., Suite 715
Charlotte, NC 28202
NC License Number F-0991

DOCUMENT NOT CONSIDERED
FINAL UNLESS ALL
SIGNATURES COMPLETED

STATE OF NORTH CAROLINA DEPARTMENT OF TRANSPORTATION RALEIGH					
PLAN OF SPANS					
REVISIONS					SHEET NO.
NO.	BY:	DATE:	NO.	BY:	DATE:
1			3		
2			4		
					TOTAL SHEETS 36
					S-9

ASSEMBLED BY : LGH DATE : 6-19
CHECKED BY : MLO DATE : 12-19
DESIGN ENGINEER OF RECORD : J. GRISCOM DATE : 1-22