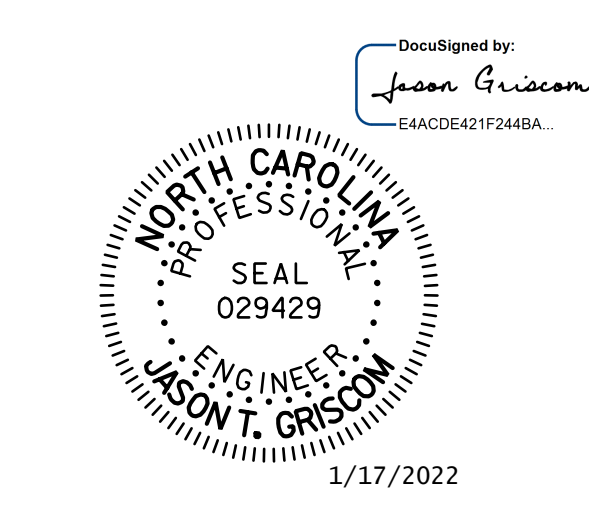
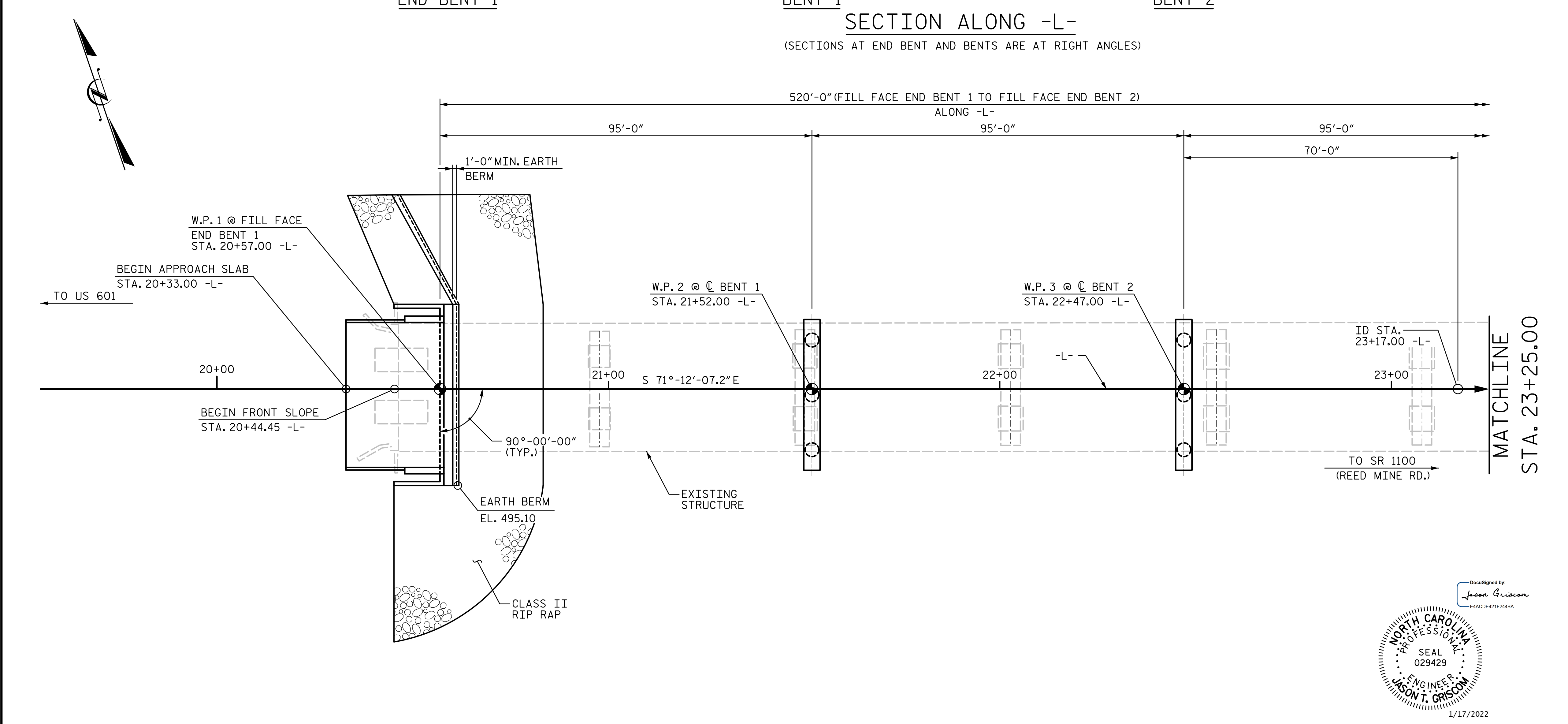


I HEREBY CERTIFY THESE PLANS ARE THE AS-BUILT PLANS



STV 100 YEARS
 STV ENGINEERS, INC.
 900 West Trade St., Suite 715
 Charlotte, NC 28202
 NC License Number F-0991

DOCUMENT NOT CONSIDERED FINAL UNLESS ALL SIGNATURES COMPLETED

PROJECT NO. B-5810
CABARRUS COUNTY
 STATION: 23+17.00 -L-
 SHEET 1 OF 2 BRIDGE NO. 0022

STATE OF NORTH CAROLINA
 DEPARTMENT OF TRANSPORTATION
 RALEIGH
GENERAL DRAWING
 FOR BRIDGE ON
 NC 24 AND 27 EBL
 OVER ROCKY RIVER BETWEEN
 US 601 AND SR 1100

REVISIONS				SHEET NO.
NO.	BY:	DATE:	NO.	DATE:
1			3	
2			4	

S-1
 TOTAL SHEETS 36

R:\Structures\Station\Final\401_001_B5810_SMU_GDL_001_120022.dgn
 4:49:10 PM
 1/16/2022
 Jgr\scm

ASSEMBLED BY : LGH DATE : 6-19
 CHECKED BY : MLO DATE : 12-19
 DESIGN ENGINEER OF RECORD : J. GRISCOM DATE : 1-22