

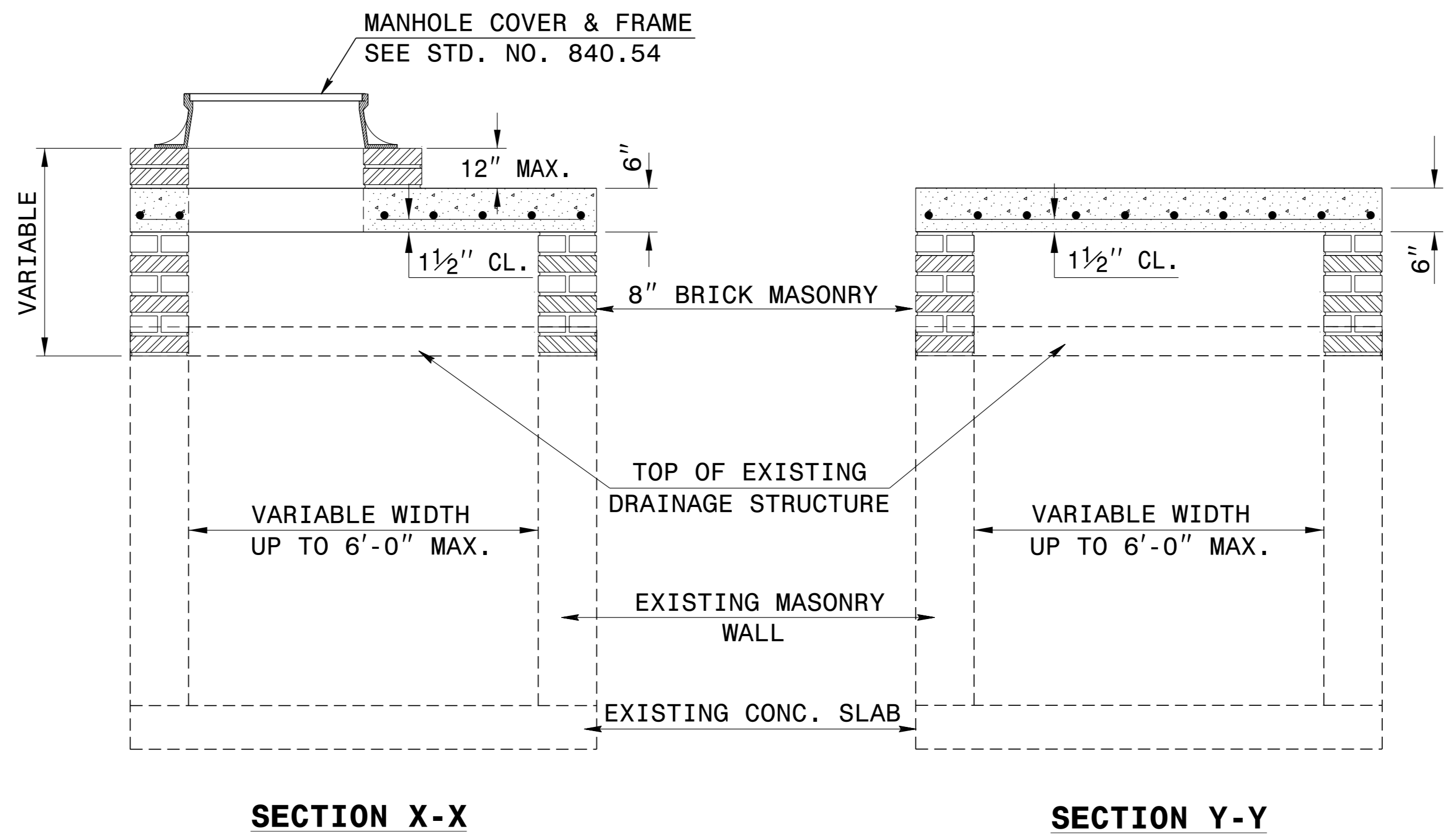
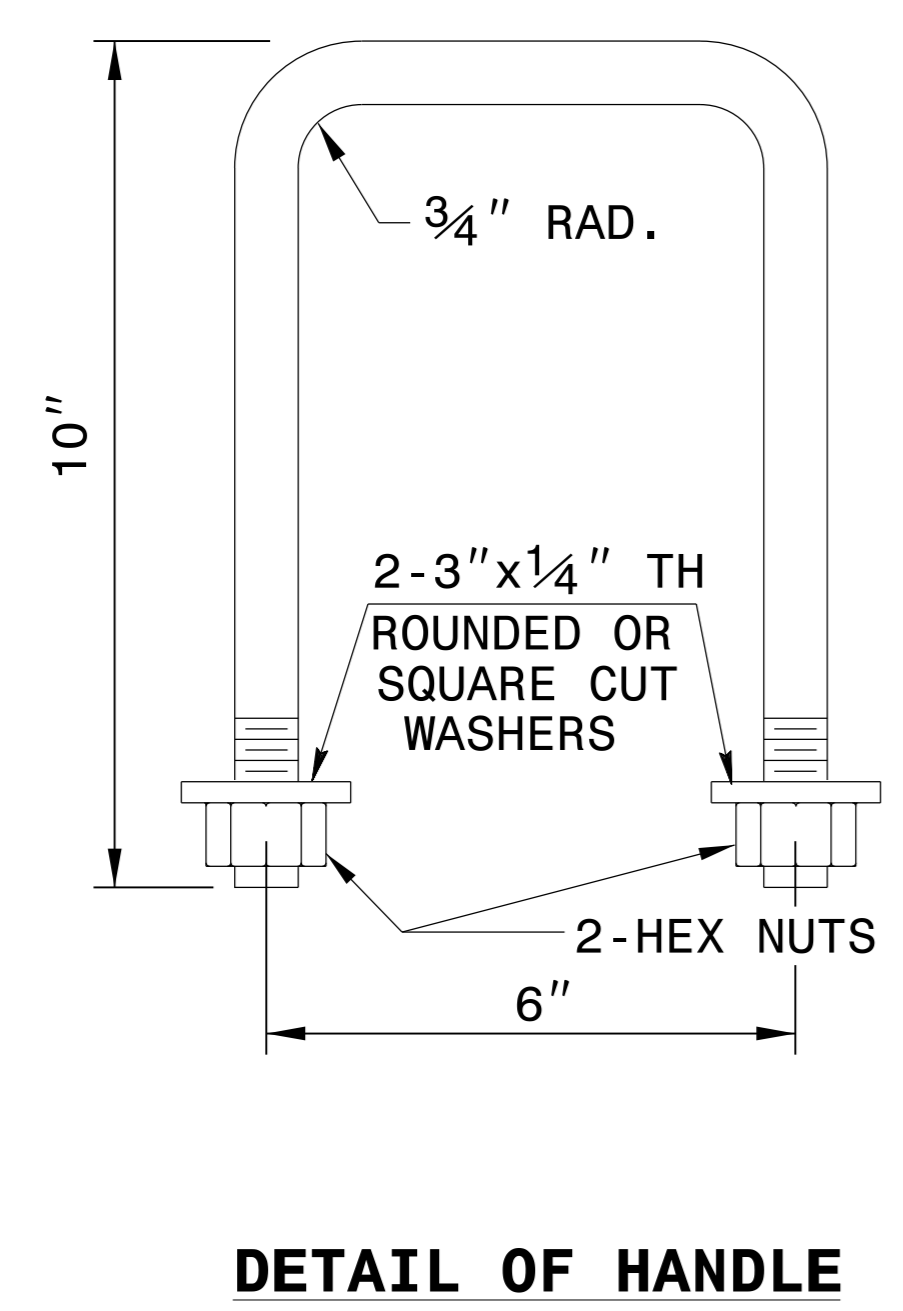
**GENERAL NOTES:**

CONSTRUCT IN ACCORDANCE WITH SECTION 859 OF THE STANDARD SPECIFICATIONS.

THE DIMENSIONS FOR THE EXISTING BOXES ARE APPROXIMATE AND MAY VARY SLIGHTLY.

DETAIL INTENDED FOR NON-TRAFFIC BEARING DRAINAGE STRUCTURES.

<b>BILL OF MATERIALS</b>				
<b>REINFORCING STEEL</b>				
CODE	SIZE	QTY.	LENGTH	REINF. STEEL LBS.
A	#4	20	4'-6"	60.12
B	#4	8	1'-1"	5.79
<b>TOTAL</b>				<b>65.91 *</b>
<b>MASONRY</b>				<b>CU YDS</b>
TOP SLAB CONCRETE CLASS "B"				.4326 *
BRICK MASONRY PER FT HT (MIN)				.4111



**\* NOTE:**  
 QUANTITIES BASED ON 3'-6" X 3'-6" DRAINAGE STRUCTURE. ADJUST QUANTITIES FOR LARGER STRUCTURES AND MANHOLE CONSTRUCTION.



DOCUMENT NOT CONSIDERED FINAL UNLESS ALL SIGNATURES COMPLETED

**CONTRACT STANDARDS AND DEVELOPMENT UNIT**  
 Office 919-707-6950 FAX 919-250-4119

**DETAIL TO CONVERT EXISTING DI, CB, OTCB or GI TO JUNCTION BOX (MANHOLE OPTIONAL)**

ORIGINAL BY: T.S.S. DATE: NOV. 1997  
 MODIFIED BY: T.S.S. DATE: FEB. 2000  
 CHECKED BY: DATE:  
 FILE SPEC.: ds174:/usr/details/stand/boxtojbe.dgn

11/24/2022 10:58:11 AM  
 T.S.S.  
 022071  
 MECHANICAL ENGINEER  
 STATE OF NORTH CAROLINA  
 LICENSE NO. 022071