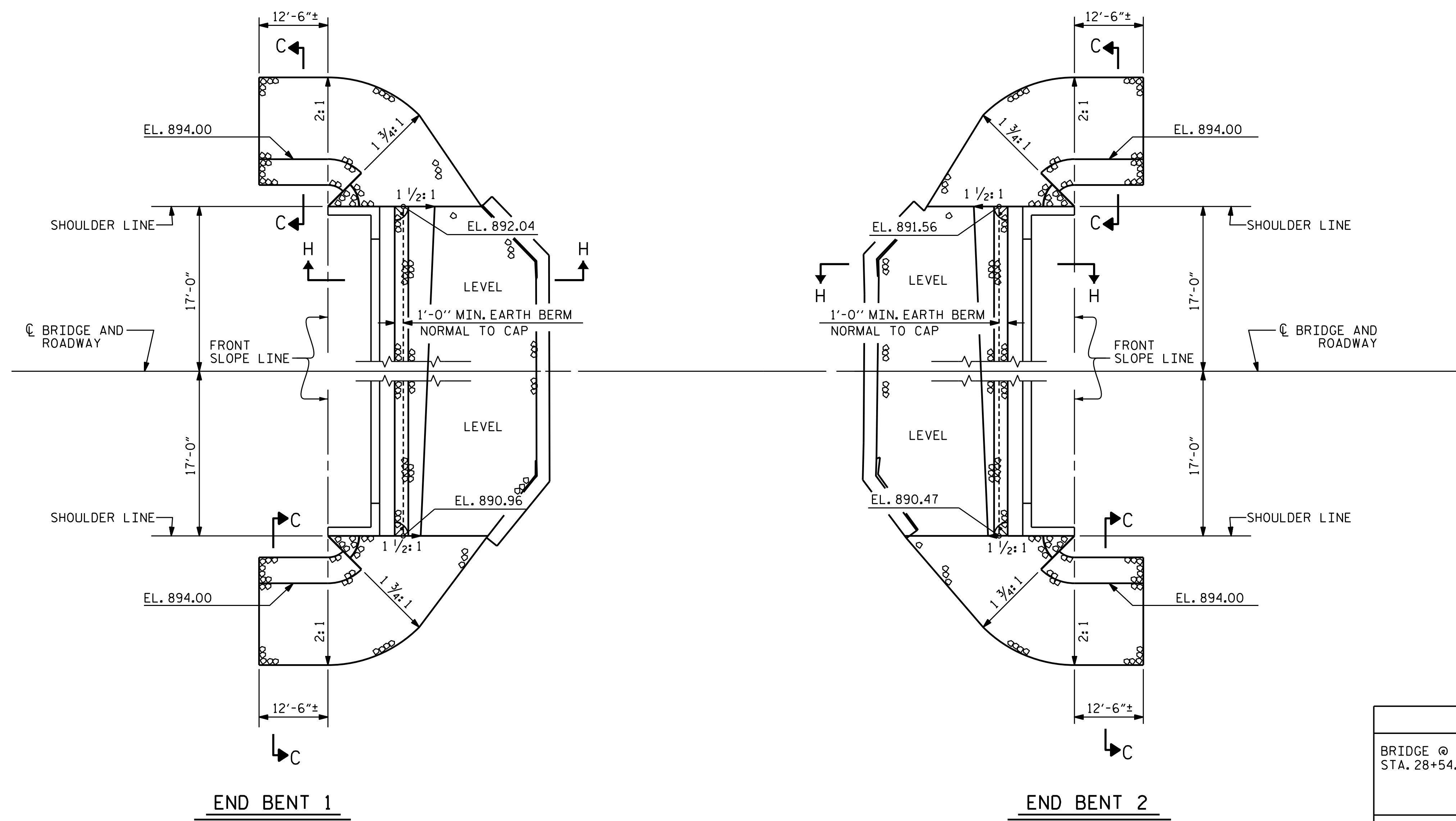
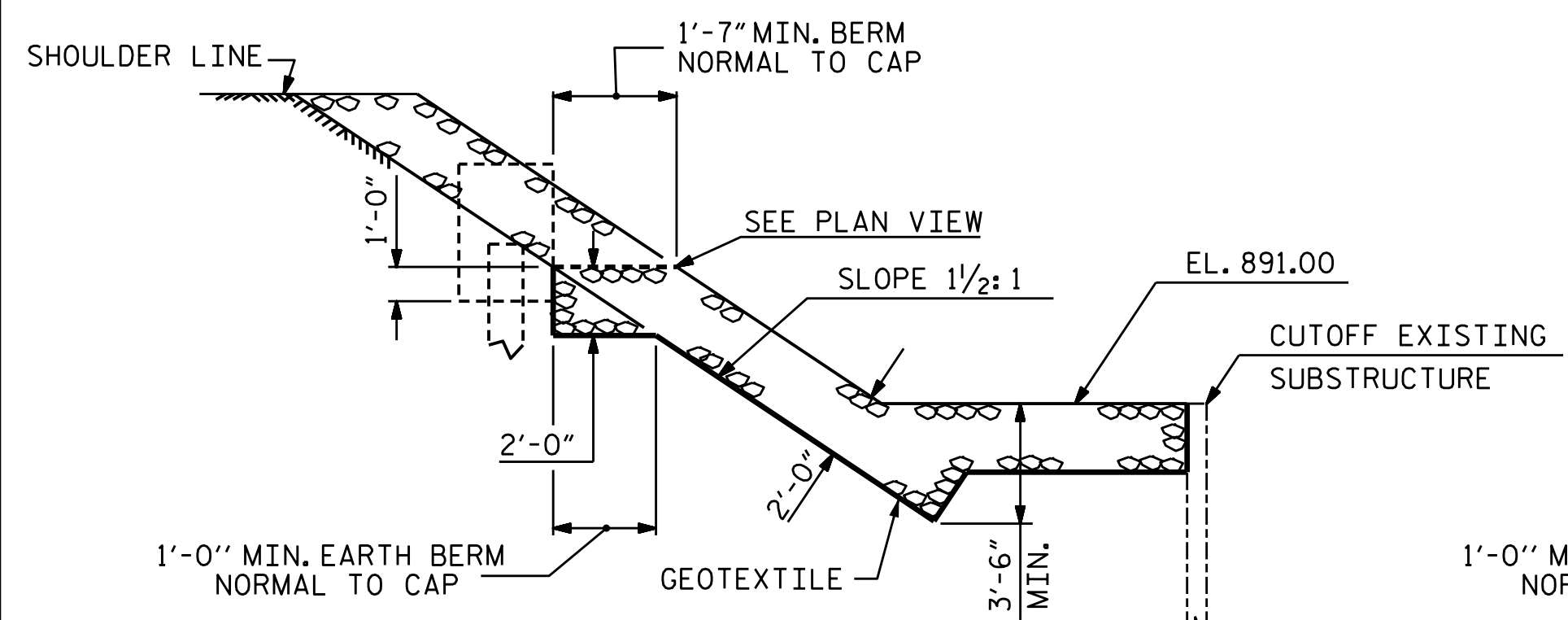


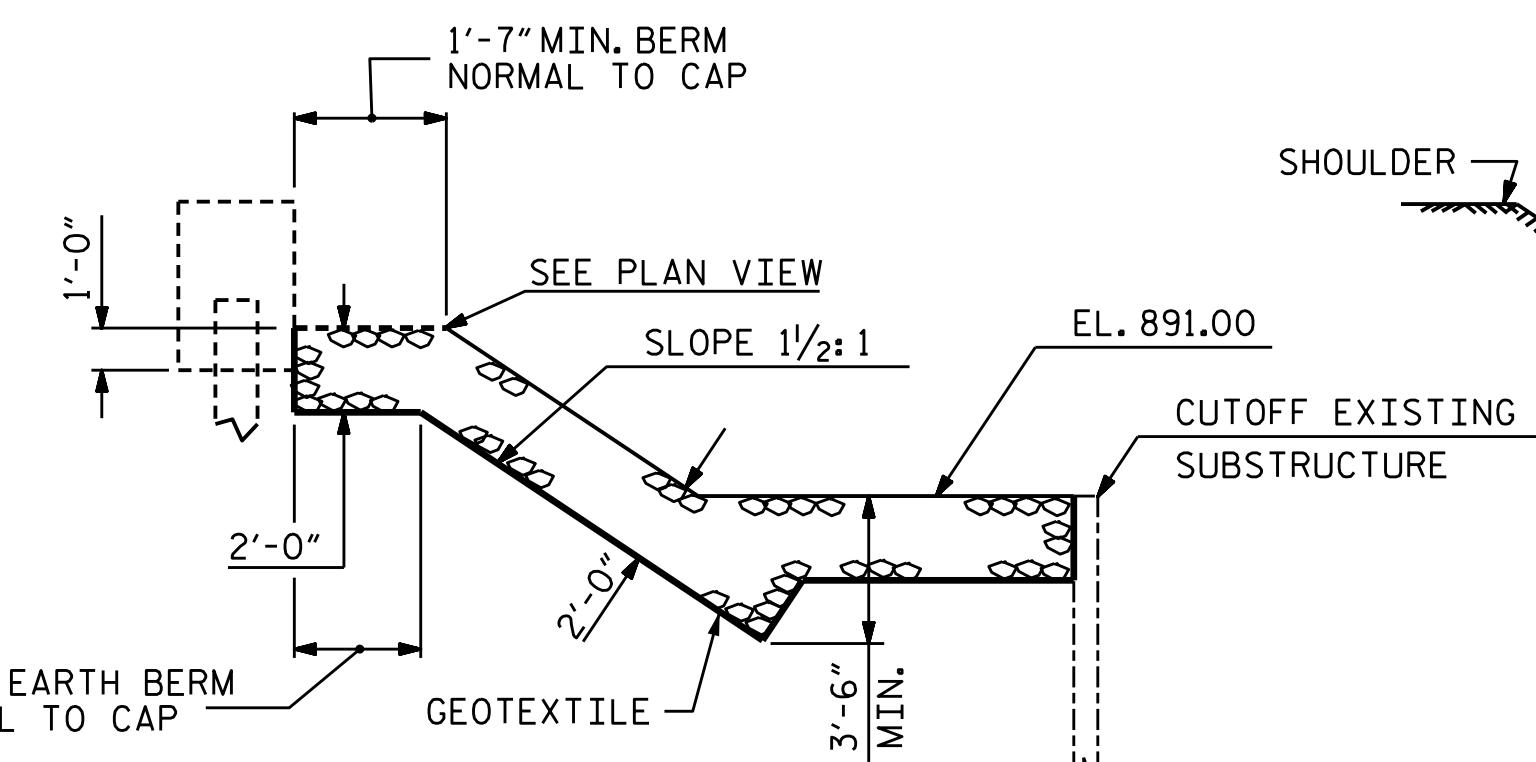
NOTES :  
FOR BERM WIDTH DIMENSIONS, SEE GENERAL DRAWING.



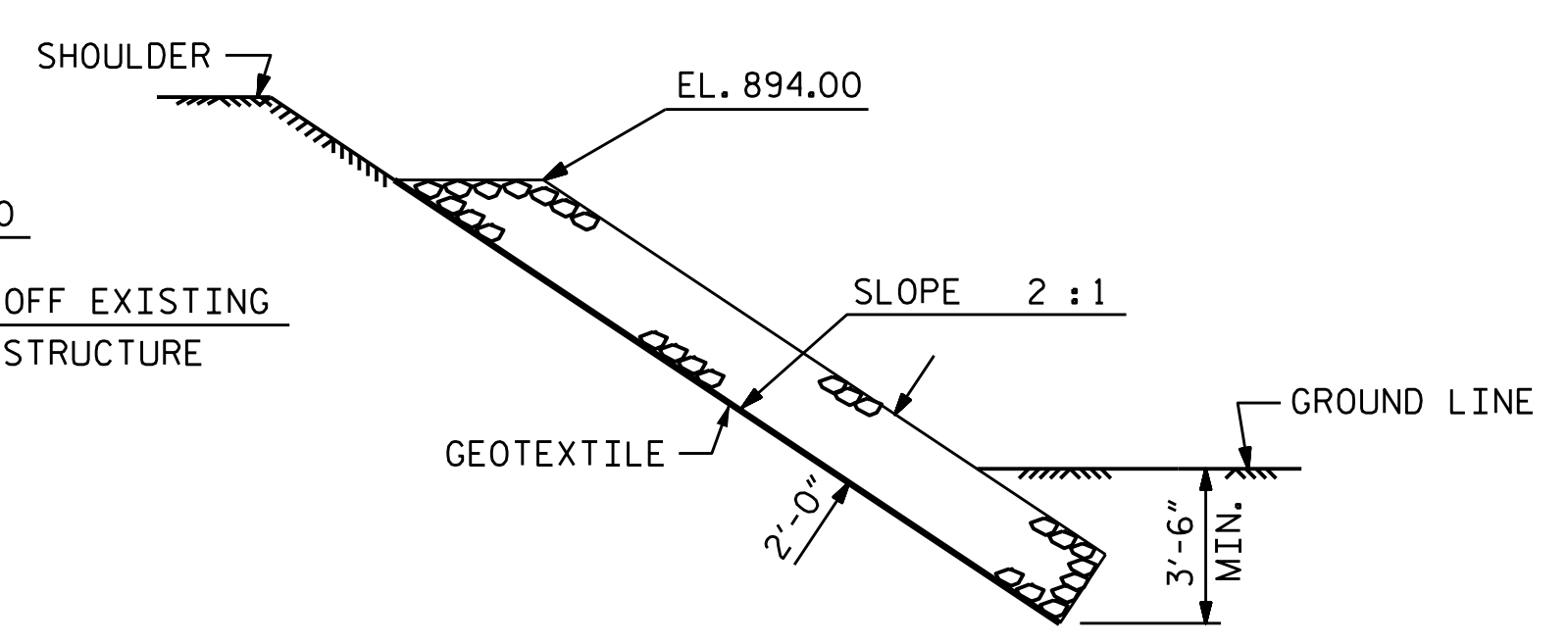
ESTIMATED QUANTITIES		
BRIDGE @ STA. 28+54.00 -L-	RIP RAP CLASS II (2'-0" THICK)	GEOTEXTILE FOR DRAINAGE
	TONS	SQUARE YARDS
END BENT 1	82	92
END BENT 2	59	66



SECTION H-H



SECTION C-C  
BERM RIP RAPPED



SECTION C-C

PROJECT NO. BR-0109  
YADKIN COUNTY  
STATION: 28+54.00 -L-

STATE OF NORTH CAROLINA  
DEPARTMENT OF TRANSPORTATION  
RALEIGH  
STANDARD  
RIP RAP DETAILS



ASSEMBLED BY : J.M. KEPICH	DATE : 1/4
CHECKED BY : L.M. SAMPLES	DATE : 05/21
DRAWN BY : REK 1/84	REV. 10/1/11 MAA/GM
CHECKED BY : RDU 1/84	REV. 12/21/11 MAA/GM
	REV. 12/17 MAA/THC

ms consultants, inc.  
5444 Wade Park Blvd.  
Suite 160  
Raleigh, NC 27607  
NC License Number : C-3239

DocuSigned by:  
Lisa M. Samples  
5/10/2022  
DOCUMENT NOT CONSIDERED  
FINAL UNLESS ALL  
SIGNATURES COMPLETED

REVISIONS						SHEET NO.
NO.	BY:	DATE:	NO.	BY:	DATE:	S-13
1			3			TOTAL SHEETS 14
2			4			