

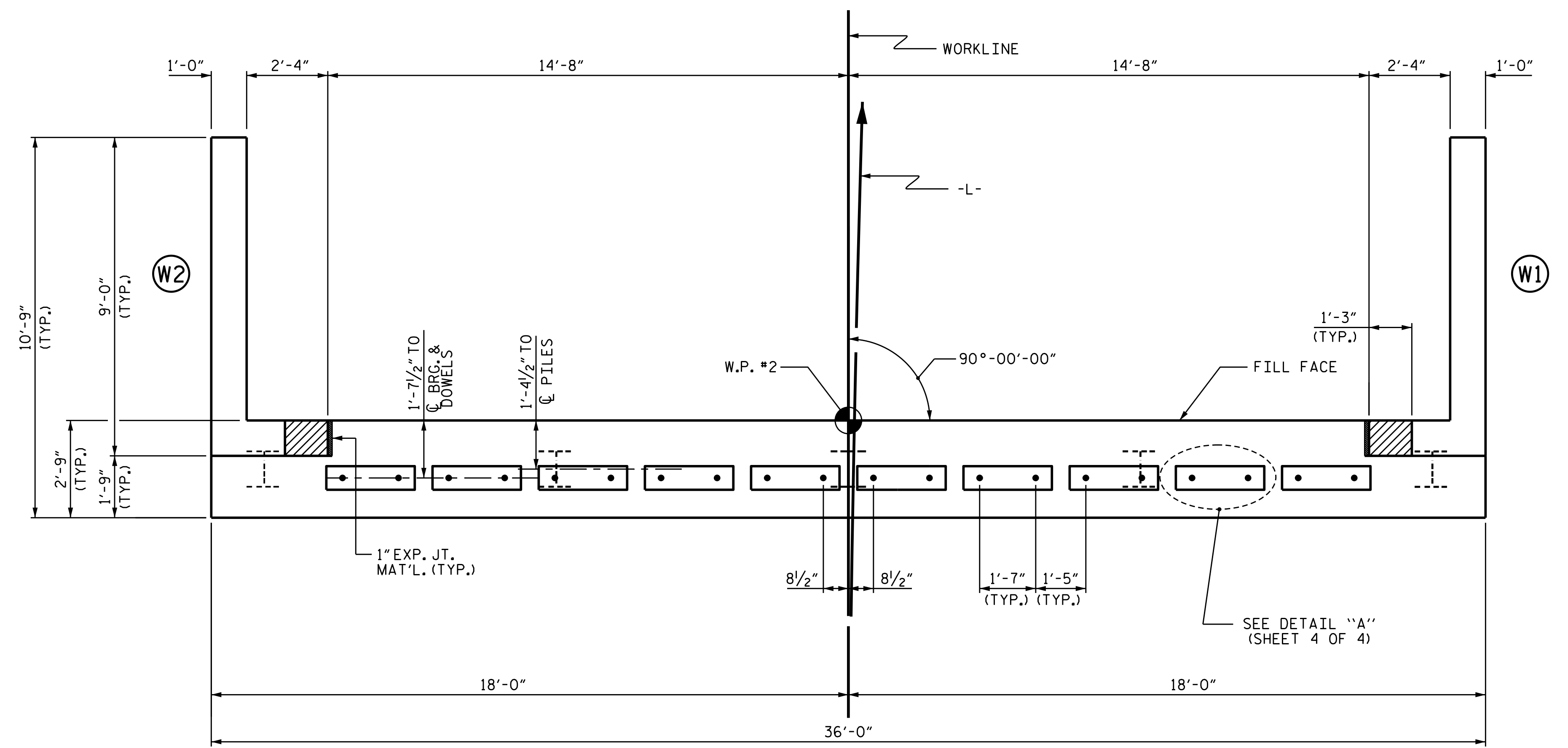
**NOTES**

STIRRUPS IN CAP MAY BE SHIFTED AS NECESSARY TO CLEAR DOWELS.

THE CONCRETE IN THE SHADED AREA OF THE WING SHALL BE POURED AFTER THE VERTICAL CONCRETE BARRIER RAIL IS CAST IF SLIP FORMING IS USED.

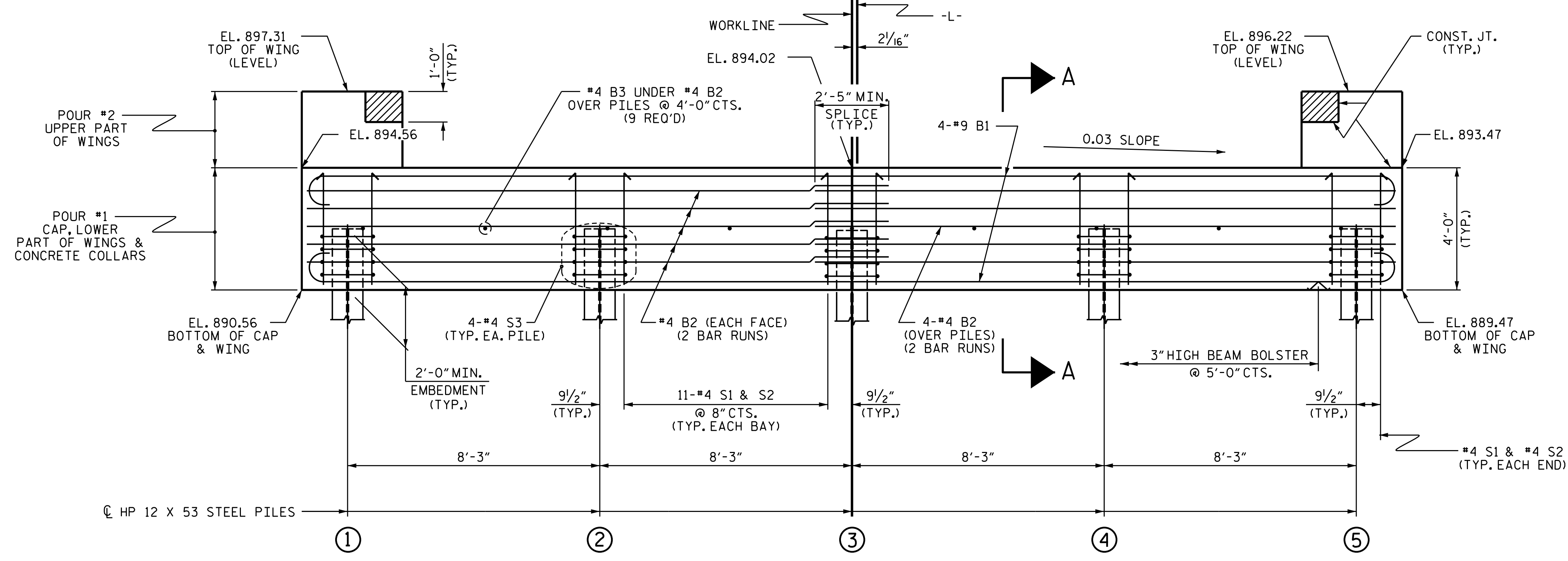
FOR PILE SPLICE DETAILS, SEE SHEET 4 OF 4.

FOR WING DETAILS, SEE SHEET 3 OF 4.



**PLAN**

TOP OF PILE ELEVATIONS	
①	892.51
②	892.26
③	892.02
④	891.77
⑤	891.52



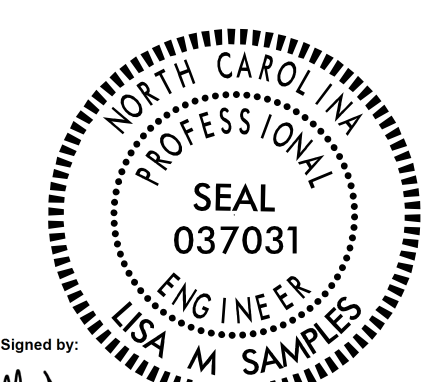
**ELEVATION**

WINGS NOT SHOWN FOR CLARITY.  
 FOR SECTION A-A, SEE SHEET 4 OF 4.  
 CONCRETE COLLARS FOR STEEL PILES NOT SHOWN IN PLAN AND ELEVATION VIEWS FOR CLARITY.  
 SEE "CORROSION PROTECTION FOR STEEL PILES DETAIL", SHEET 4 OF 4.

PROJECT NO. BR-0109  
YADKIN COUNTY  
 STATION: 28+54.00 -L-  
 SHEET 2 of 4

STATE OF NORTH CAROLINA  
 DEPARTMENT OF TRANSPORTATION  
 RALEIGH

**SUBSTRUCTURE**  
**END BENT No. 2**



**ms consultants, inc.**  
 5444 Wade Park Blvd.  
 Suite 160  
 Raleigh, NC 27607  
 NC License Number : C-3239

REVISIONS						SHEET NO.
NO.	BY:	DATE:	NO.	BY:	DATE:	S-10
1			3			TOTAL SHEETS 14
2			4			

ASSEMBLED BY : J.M. KEPICH DATE : 04/20  
 CHECKED BY : L.M. SAMPLES DATE : 05/21

DRAWN BY : WJH 12/11  
 CHECKED BY : AAC 12/11

REV. 4/15 MAA/TMG