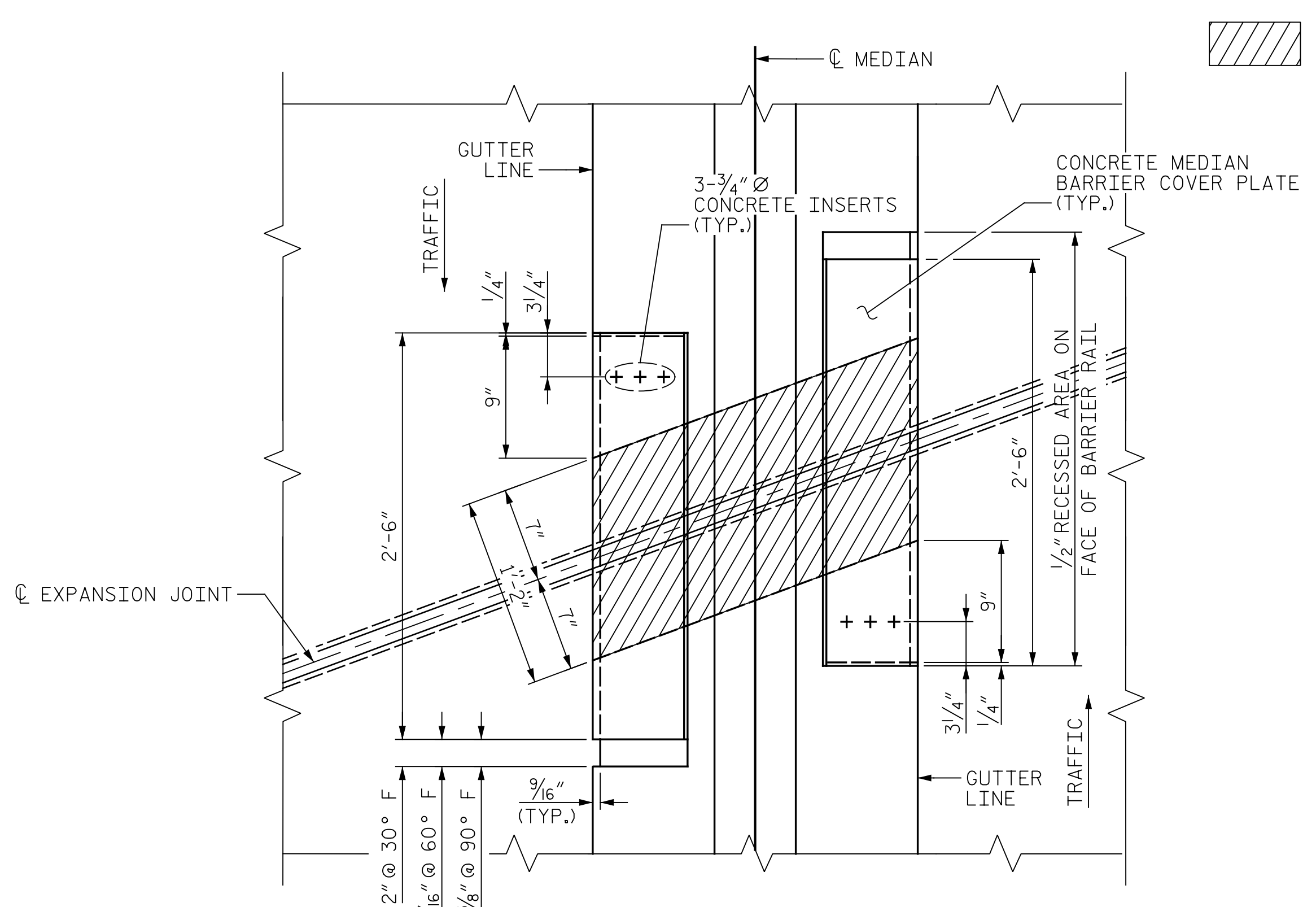
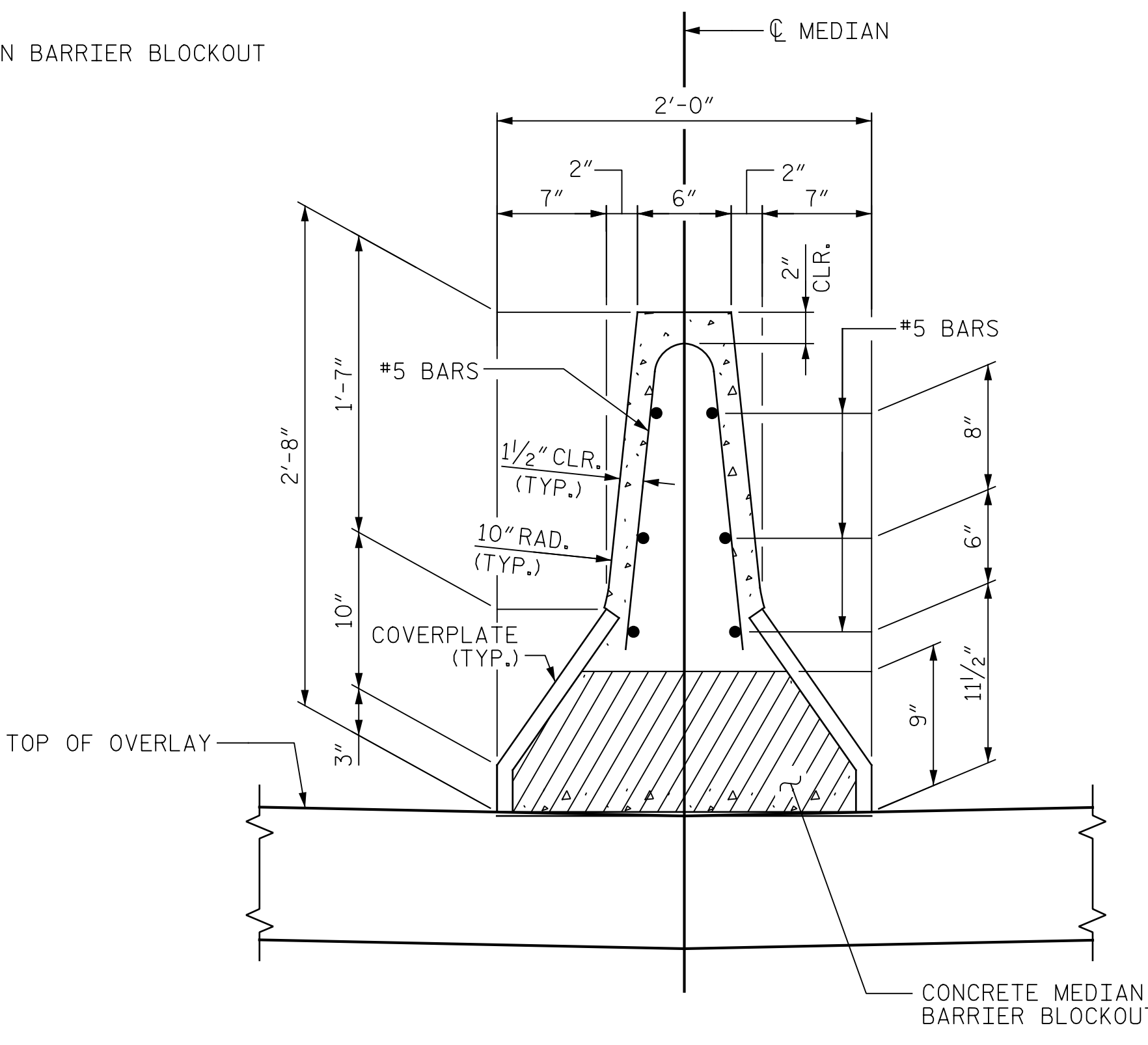


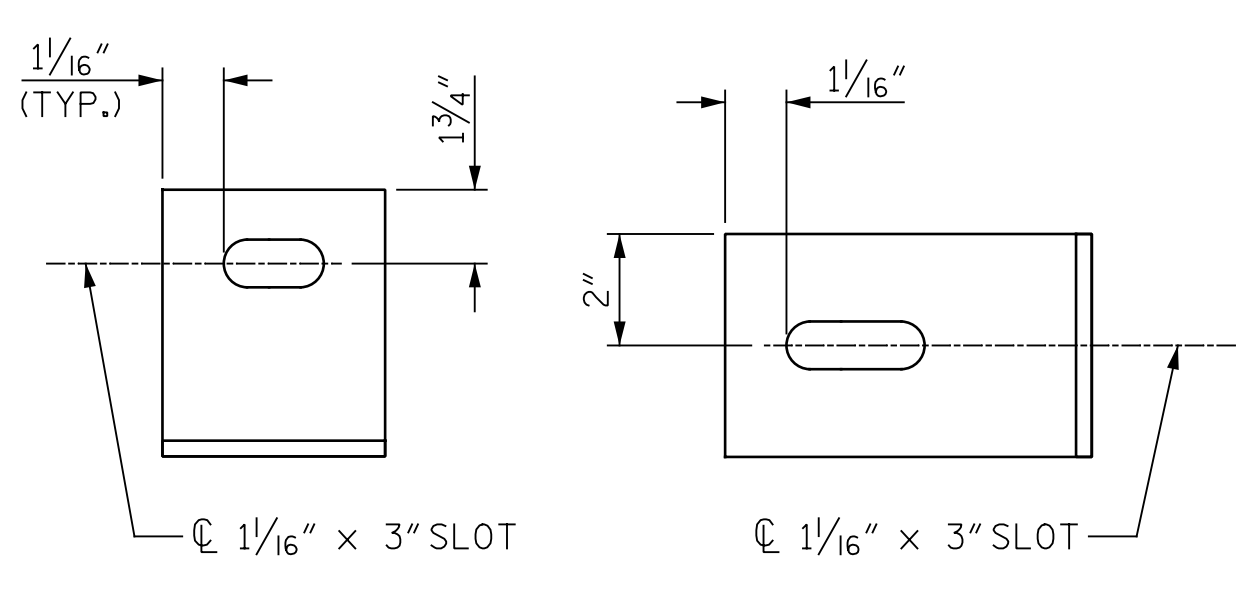
p:\gfn\pw.bentley.com\gfn\pw-01\Documents\Projects\67945\Phase 003 - I-5997 Rehab\Structures\CAD\2.0 100% Plans\406-011-I5997-SMU-MISC REPAIR_081 11/22/2021 4:17:34 PM pdf_color_gfclt_FS.plt Rowan,pen.tbi



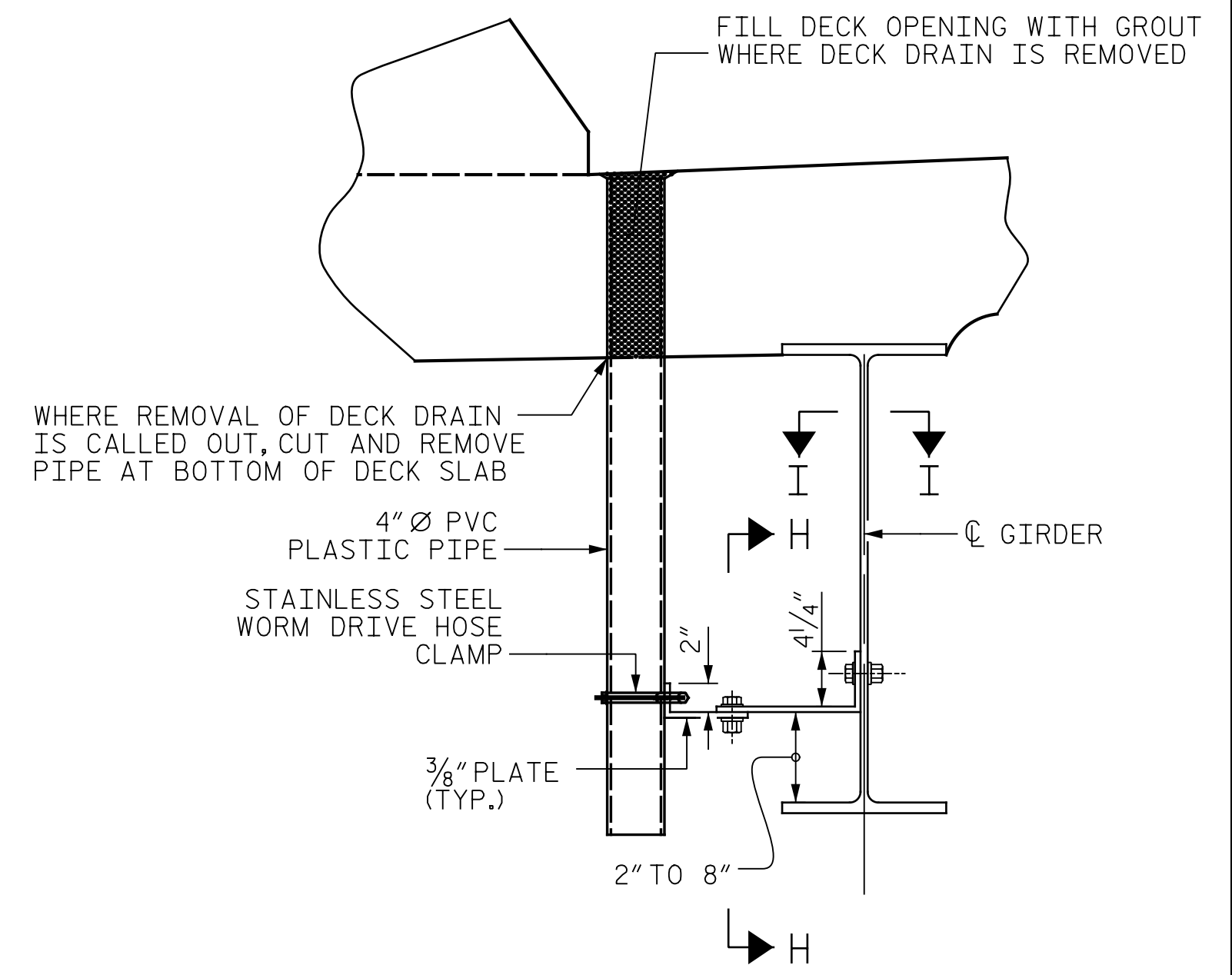
PLAN OF EXP. JOINT AT MEDIAN BARRIER RAIL



SECTION AT EXPANSION JOINT

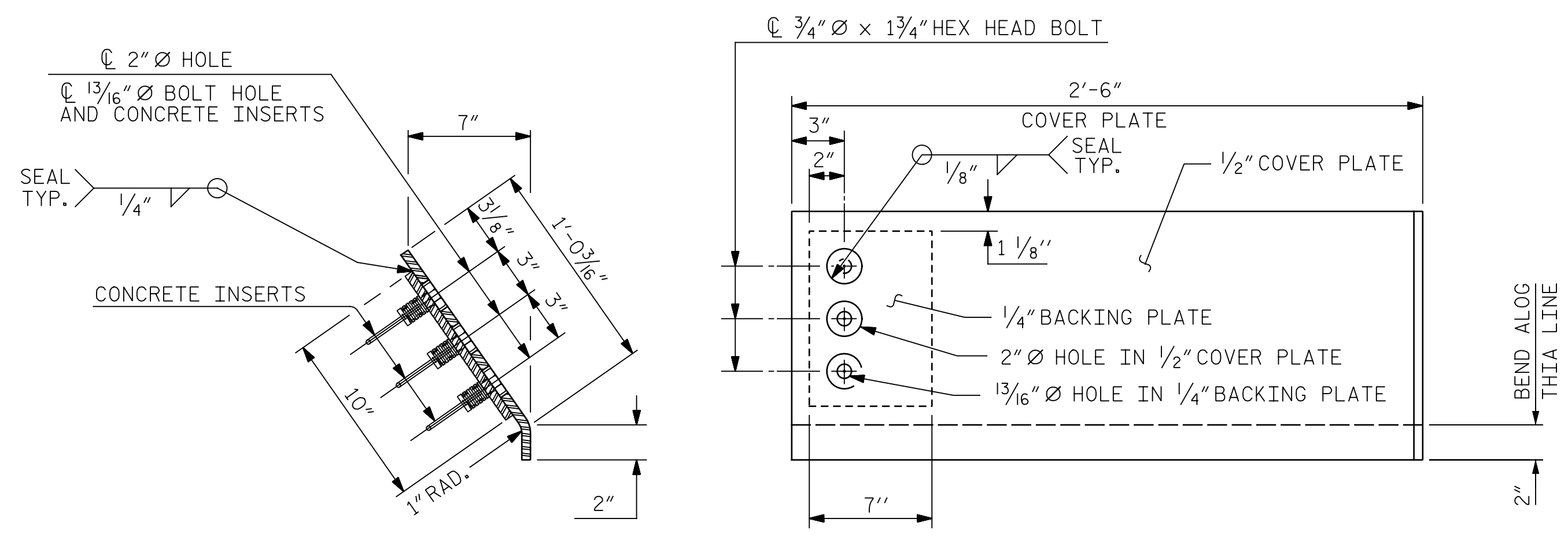


SECTION H-H SECTION I-I



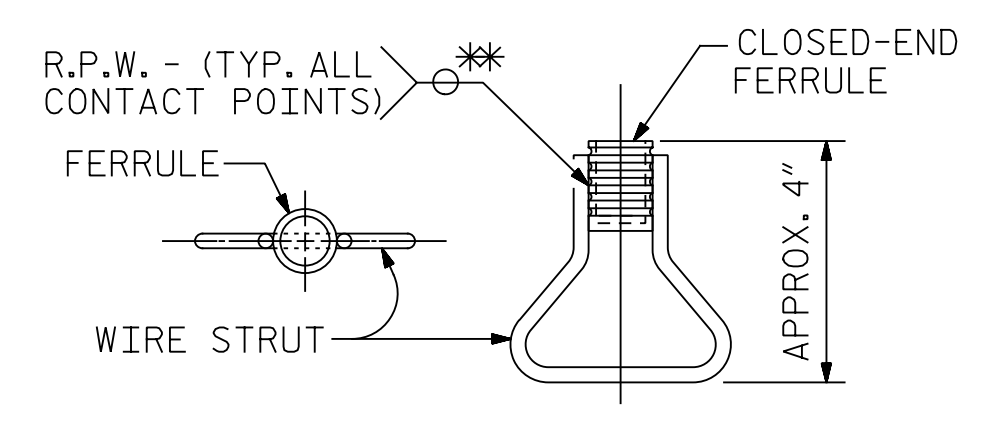
DECK DRAIN DETAIL

NOTES FOR DECK DRAIN DETAIL:
 TYPICAL DECK DRAIN SHOWN. REPLACE OR REPAIR PORTIONS OF DECK DRAIN AS NOTED ON THE PLAN OF SPAN SHEETS.
 PLATES SHALL CONFORM TO AASHTO M270 GRADE 36 STEEL OR APPROVED EQUAL.
 BOLT SIZE TO BE SAME AS DIAPHRAM CONNECTIONS. STAINLESS STEEL WORM DRIVE HOSE CLAMP SHALL BE COMMERCIAL QUALITY.
 FOR REPAIR OF EXISTING DECK DRAINS, SEE SPECIAL PROVISIONS.
 FOR GROUT FOR STRUCTURES, SEE SPECIAL PROVISIONS.



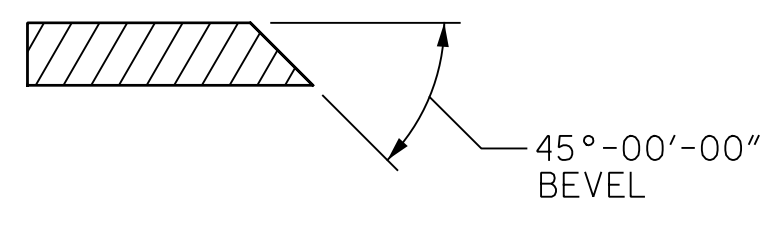
END VIEW ELEVATION VIEW

COVER PLATE DETAILS



PLAN ELEVATION

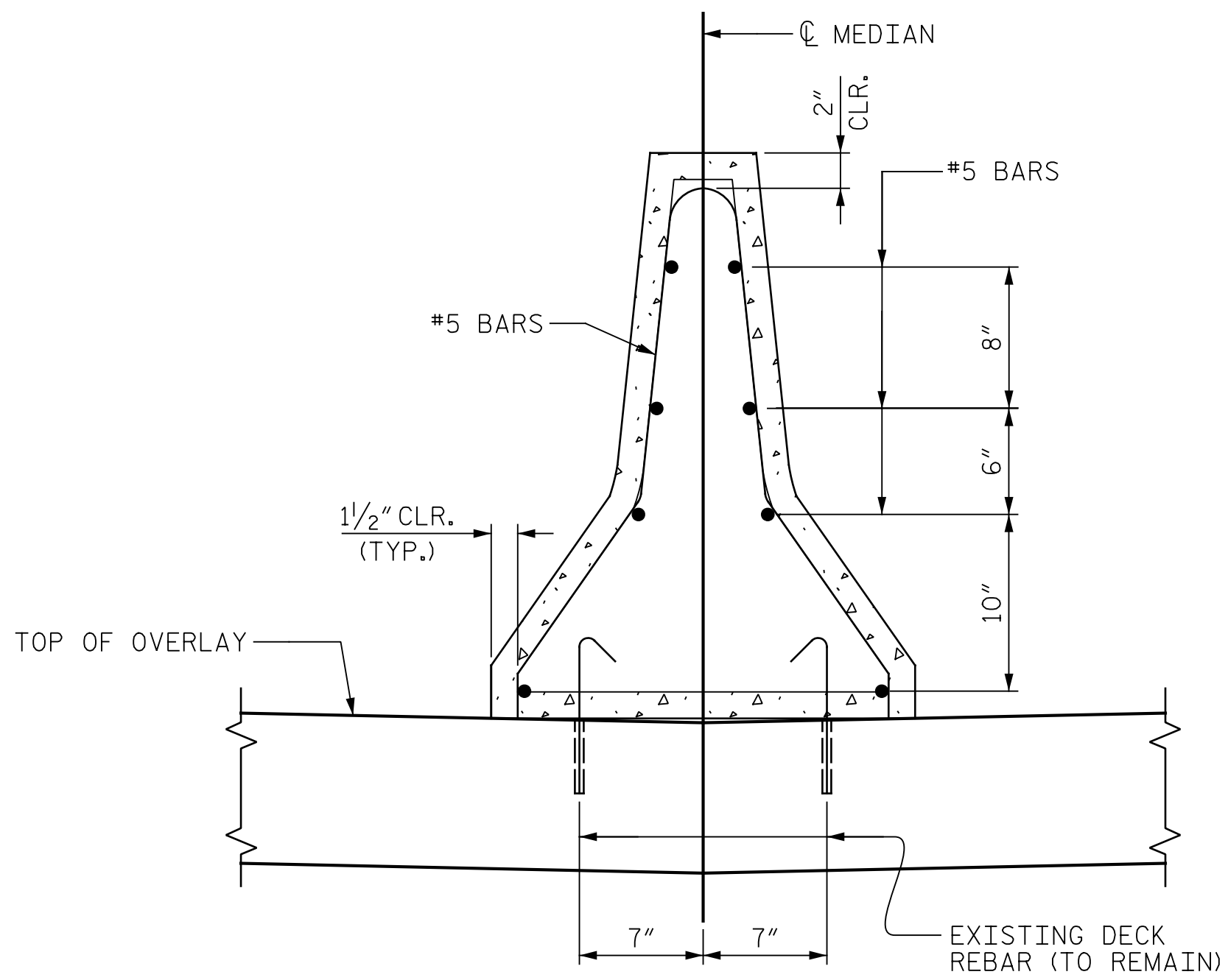
CONCRETE INSERT



SECTION B-B

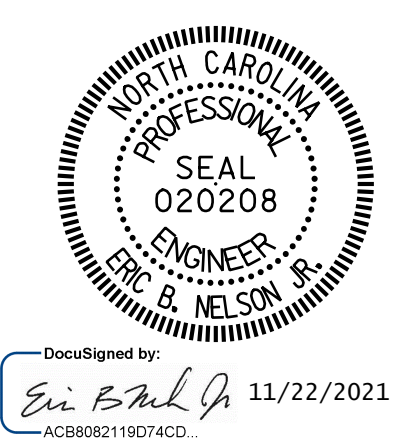
* EACH WELDED ATTACHMENT OF WIRE TO FERRULE SHALL DEVELOP THE TENSILE STRENGTH OF THE WIRE.

MEDIAN BARRIER RAIL REPAIR DETAILS



BARRIER RAIL SECTION

PROJECT NO. I-5997
 WAKE COUNTY
 BRIDGE NO. 910260, 910263, 910264 & 910278



STATE OF NORTH CAROLINA
 DEPARTMENT OF TRANSPORTATION
 RALEIGH

MISCELLANEOUS
 DETAILS

DRAWN BY : J. MYA DATE : 09/2021
 CHECKED BY : J. YANACCONI DATE : 09/2021
 DESIGN ENGINEER OF RECORD : R. NELSON DATE : 09/2021

PLANS PREPARED BY:
Gannett Fleming
 Excellence Delivered As Promised
 One Glenwood Avenue
 Suite 900
 Raleigh, NC 27603
 (919) 420-7660
 NC Lic. No. F-0270

DOCUMENT NOT CONSIDERED
 FINAL UNLESS ALL
 SIGNATURES COMPLETED

REVISIONS						SHEET NO.
NO.	BY:	DATE:	NO.	BY:	DATE:	S-81
1			3			TOTAL SHEETS
2			4			82