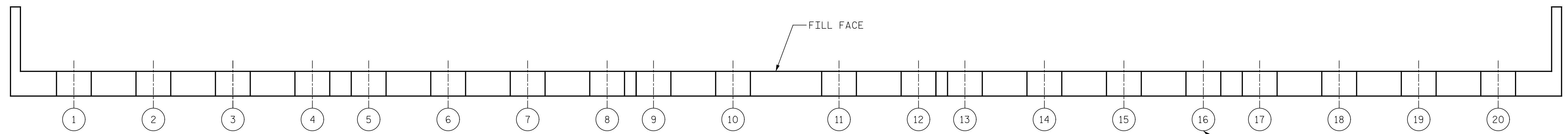
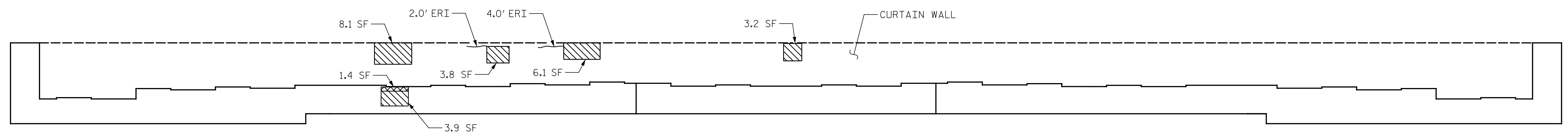


p:\gfn\pw.bentley.com\gfn\pw-01\Documents\Projects\67945\Phase 003 - I-5997 Rehab\Structures\CAD\2.0 100% Plans\Rehab\Structures\CAD\2.0 100% Plans\I-5997_SMU_E2_910267-910268-065
 11/22/2021 9:24:08 AM pdf_color_gfclt_FS.plt Rowan.pcn.tbl



PLAN



ELEVATION

REPAIR QUANTITY TABLE				
END BENT 2	QUANTITIES			
	ESTIMATE		ACTUAL	
SHOTCRETE REPAIRS	AREA SF	VOLUME CF	AREA SF	VOLUME CF
CAP	3.9	1.5		
CURTAIN WALL	21.2	8.6		
CONCRETE REPAIRS	AREA SF	VOLUME CF	AREA SF	VOLUME CF
CAP	1.4	1.4		
CURTAIN WALL	0.0	0.0		
EPOXY RESIN INJECTION		LN. FT		LN. FT
CAP		0.0		
CURTAIN WALL		6.0		

VALUES IN CHARTS REPRESENT ESTIMATED REPAIRS TOTALS AFTER REMOVAL OF SOUND CONCRETE, MIN. OF 1" BEHIND REBAR AND MIN. 2" CLEAR TO SAW CUT. SEE REPAIR DETAILS.

NOTES

REPAIR LOCATIONS AND ESTIMATED QUANTITIES ARE GIVEN WITH THE BEST INFORMATION AVAILABLE. IF ADDITIONAL REPAIRS NOT SHOWN ON THE DRAWINGS ARE DEEMED NECESSARY BY THE ENGINEER, THE ENGINEER WILL NOTE ON THE DRAWINGS THE APPROXIMATE LOCATION AND DESCRIPTION OF THE REPAIRS AND ADJUST THE ACTUAL QUANTITIES ENTERED INTO THE REPAIR QUANTITY TABLE.

FOR REPAIRS, SEE "TYPICAL CAP AND COLUMN REPAIR DETAILS" SHEET.

FOR SHOTCRETE REPAIRS, SEE SPECIAL PROVISIONS.

SHOTCRETE REPAIRS MAY BE REPLACED WITH CONCRETE REPAIRS WITH THE APPROVAL OF THE ENGINEER.

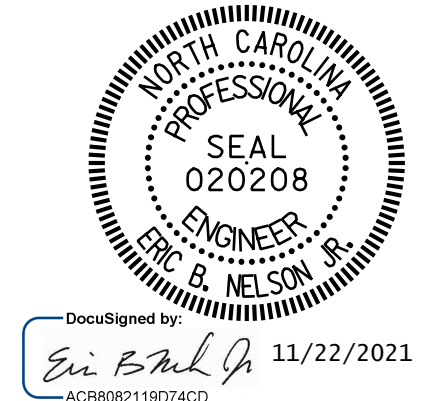
FOR EPOXY COATING, SEE SPECIAL PROVISIONS.

FOR EPOXY RESIN INJECTION, SEE SPECIAL PROVISIONS.

CONCRETE REPAIRS TO THE BENT CAP MAY REQUIRE BRIDGE JACKING. FOR BRIDGE JACKING, SEE "JACKING DETAILS" SHEET.

- SHOTCRETE REPAIR
- CONCRETE REPAIRS (FORM & POUR)
- ERI - EPOXY RESIN INJECTION

PROJECT NO. I-5997
WAKE COUNTY
 BRIDGE NO. 910267 & 910268



STATE OF NORTH CAROLINA
 DEPARTMENT OF TRANSPORTATION
 RALEIGH

END BENT 2

DRAWN BY : J. MYA DATE : 08/2021
 CHECKED BY : J. YANACCONO DATE : 09/2021
 DESIGN ENGINEER OF RECORD: R. NELSON DATE : 09/2021

PLANS PREPARED BY:
Gannett Fleming
 Excellence Delivered As Promised
 One Glenwood Avenue
 Suite 900
 Raleigh, NC 27603
 (919) 420-7660
 NC Lic. No. F-0270

DOCUMENT NOT CONSIDERED FINAL UNLESS ALL SIGNATURES COMPLETED

REVISIONS						SHEET NO.
NO.	BY:	DATE:	NO.	BY:	DATE:	S-65
1			3			TOTAL SHEETS
2			4			82