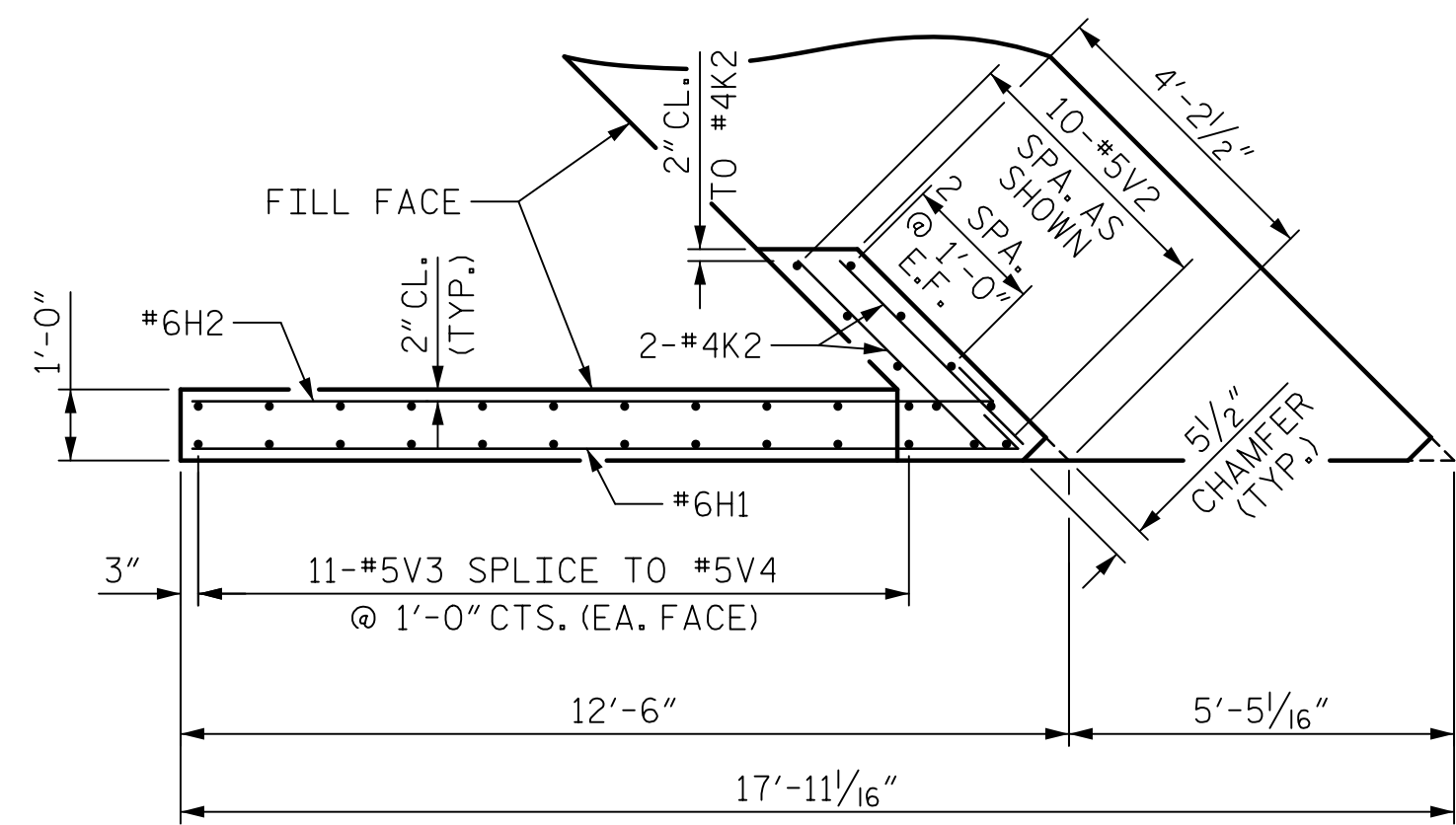
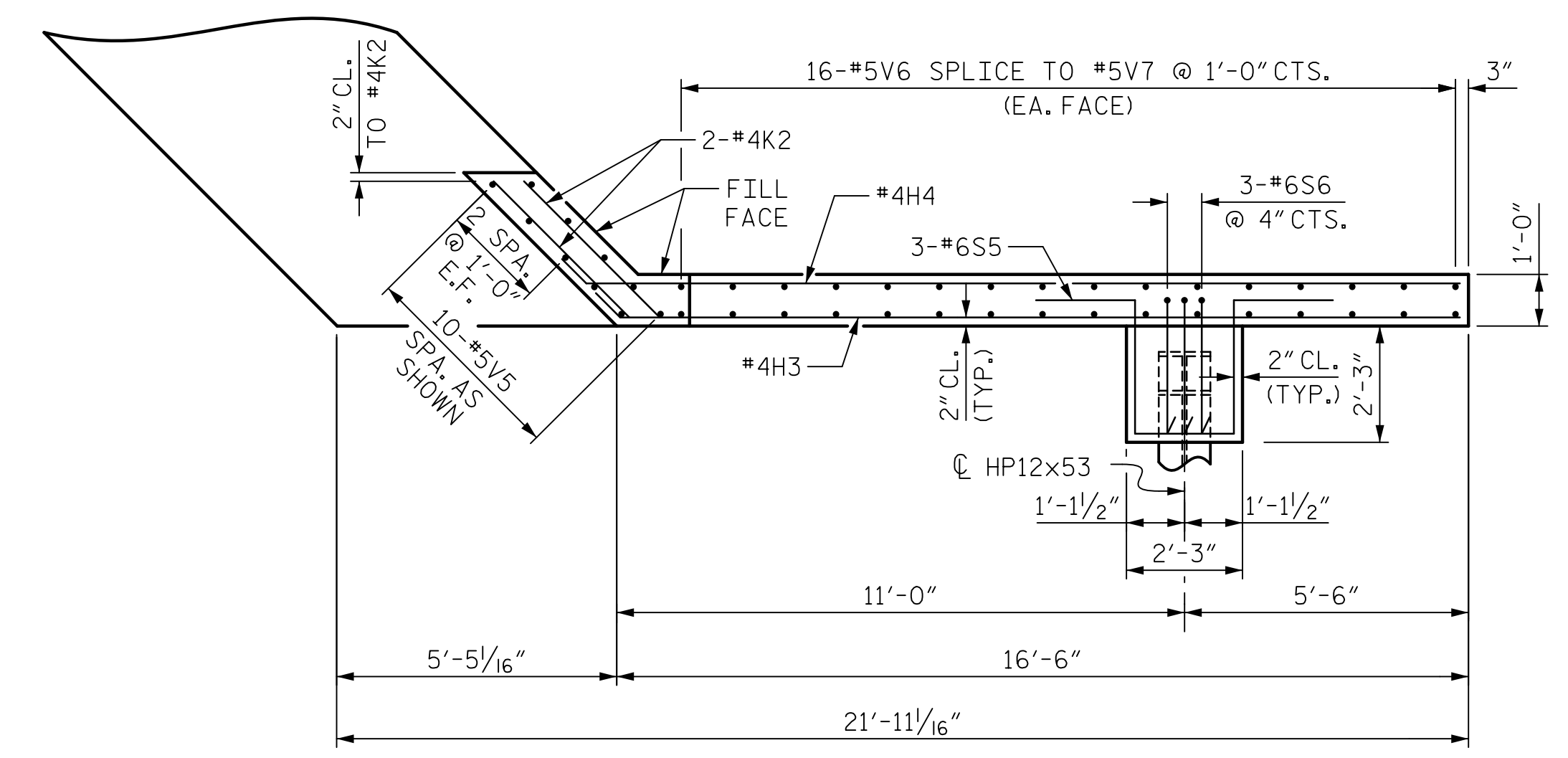


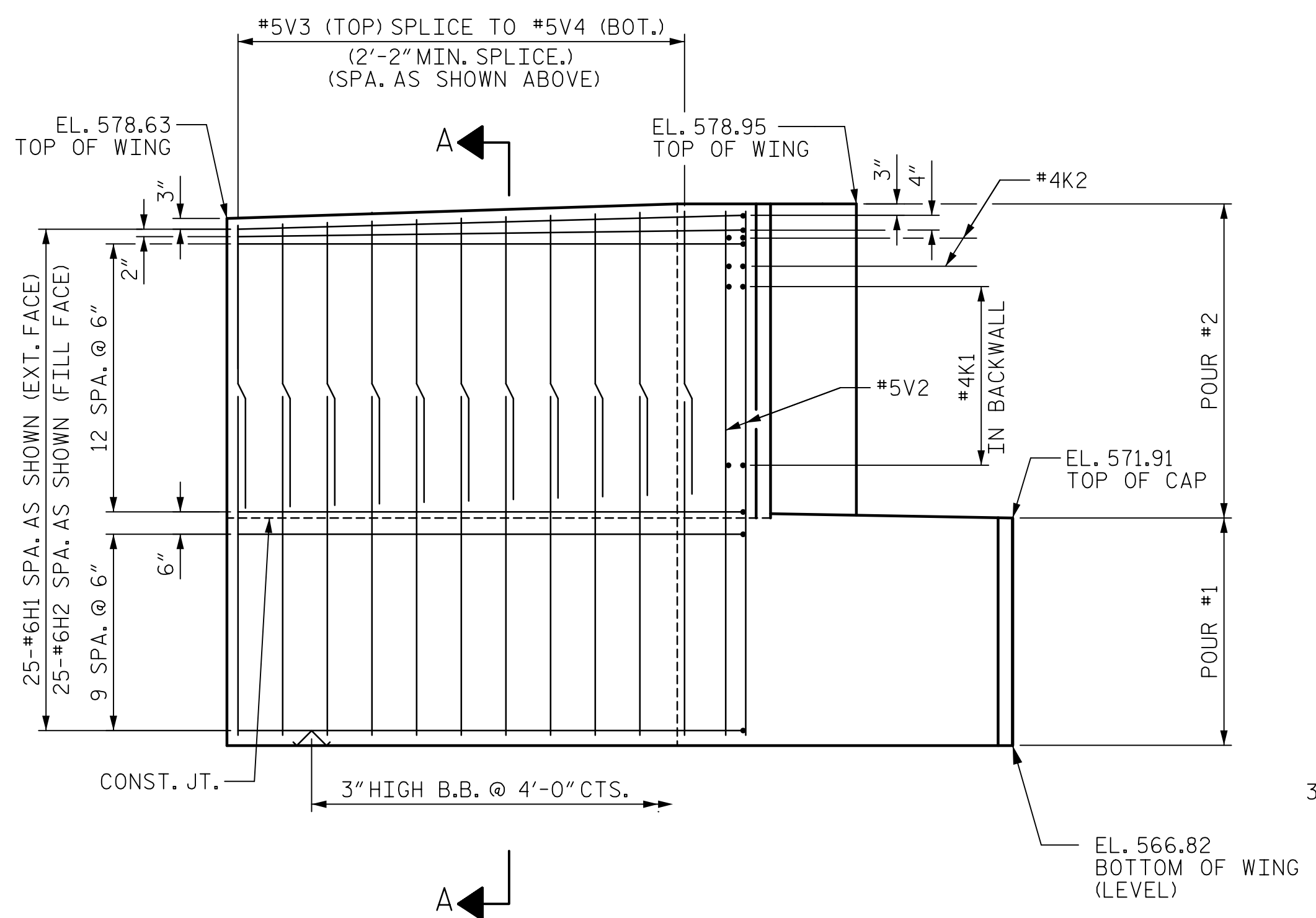
DATE: 3/29/2019
TIME: 2:27:47 PM



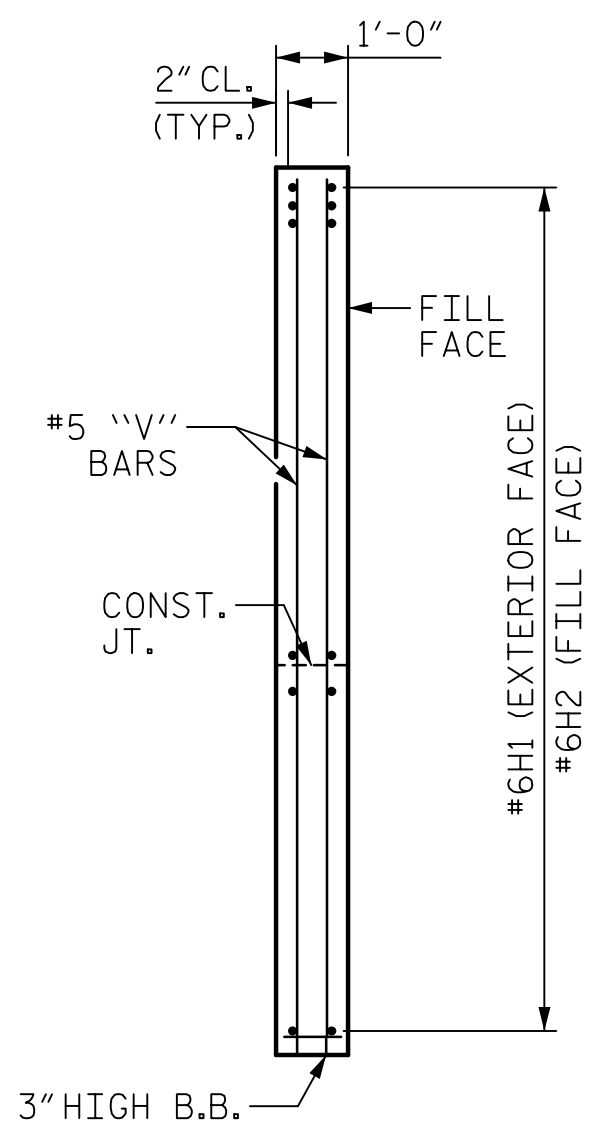
PLAN - WING W1



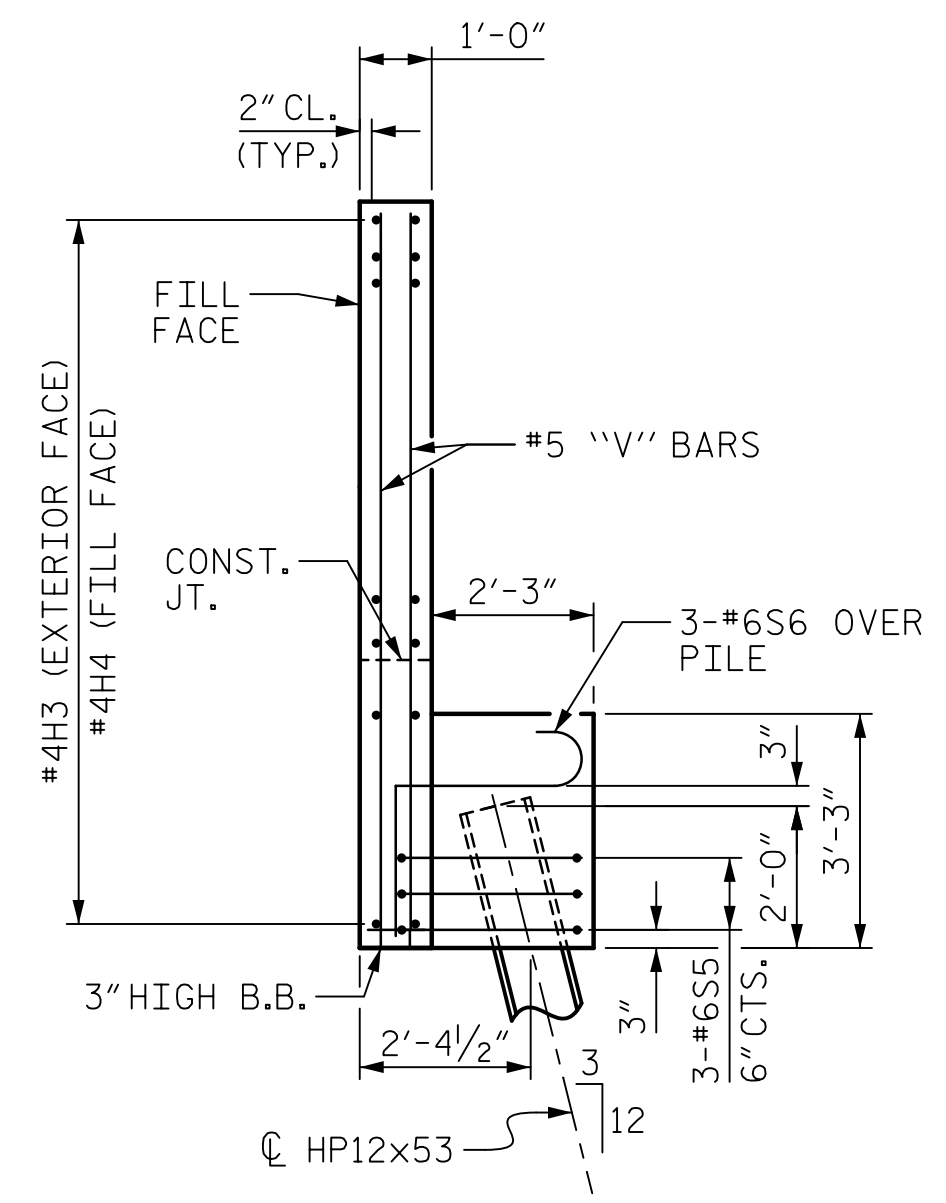
PLAN - WING W2



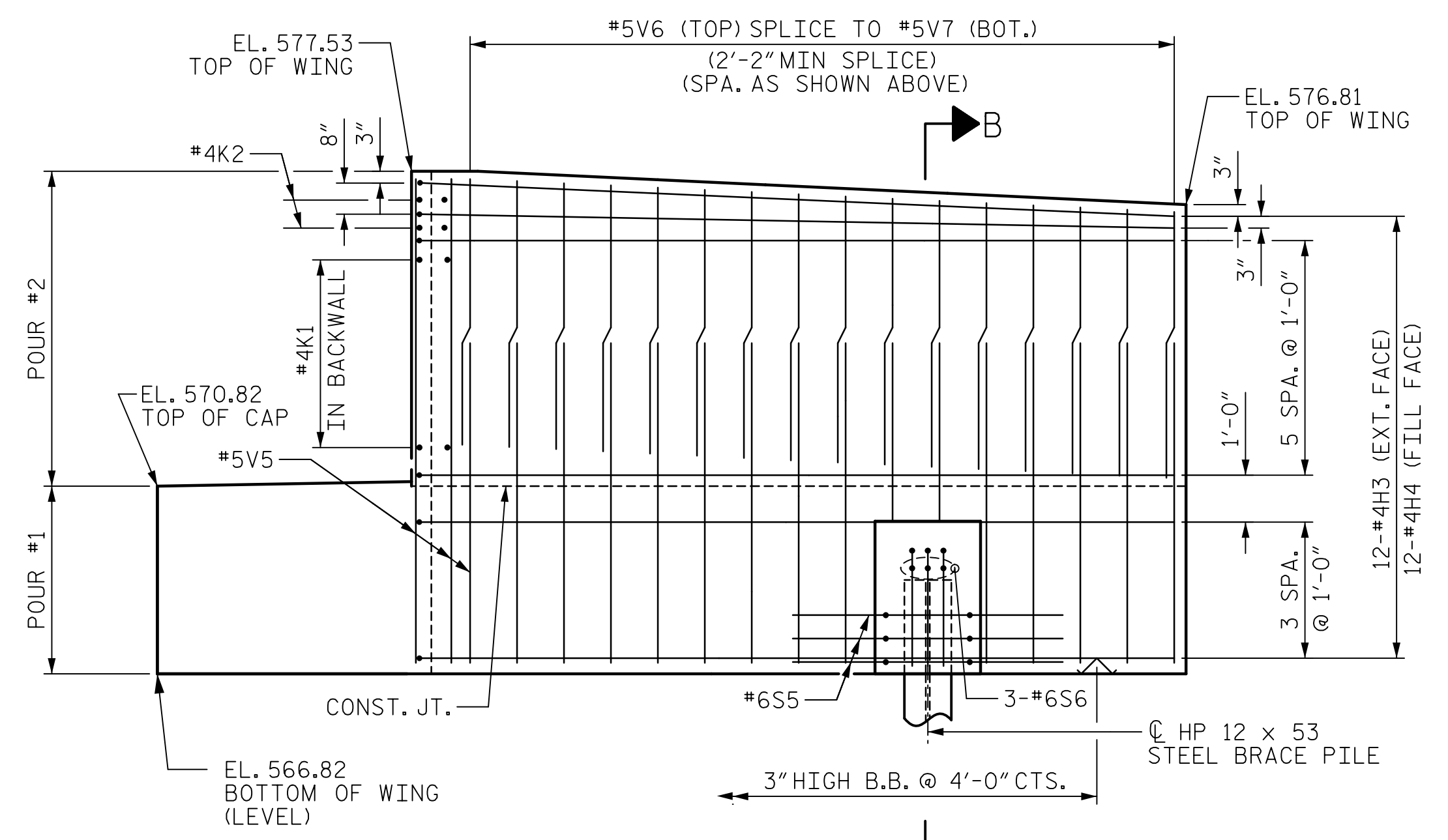
ELEVATION - WING W1



SECTION A-A



SECTION B-B



ELEVATION - WING W2

PROJECT NO. BR-0044
ROCKINGHAM COUNTY
 STATION: 21+97.00 -L-

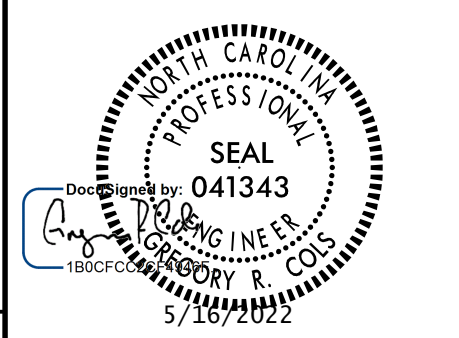
SHEET 2 OF 3



STATE OF NORTH CAROLINA
 DEPARTMENT OF TRANSPORTATION
 RALEIGH

SUBSTRUCTURE

END BENT 2



DRAWN BY : D.R. DRUM DATE : 11/2019
 CHECKED BY : G.R. COLS DATE : 11/2019
 DESIGNED BY : H.T. ROSEMOND DATE : 11/2019
 DESIGN CHECKED BY : S. NATARAJAN DATE : 11/2019

DOCUMENT NOT CONSIDERED
 FINAL UNLESS ALL
 SIGNATURES COMPLETED

REVISIONS						SHEET NO. S-35
NO.	BY:	DATE:	NO.	BY:	DATE:	
1			3			TOTAL SHEETS 39
2			4			

USER: BinJinChang.dwg
 DSN: R:\Structures\04 Drawings\01_0065_BR0044_S1W1_E202.dgn