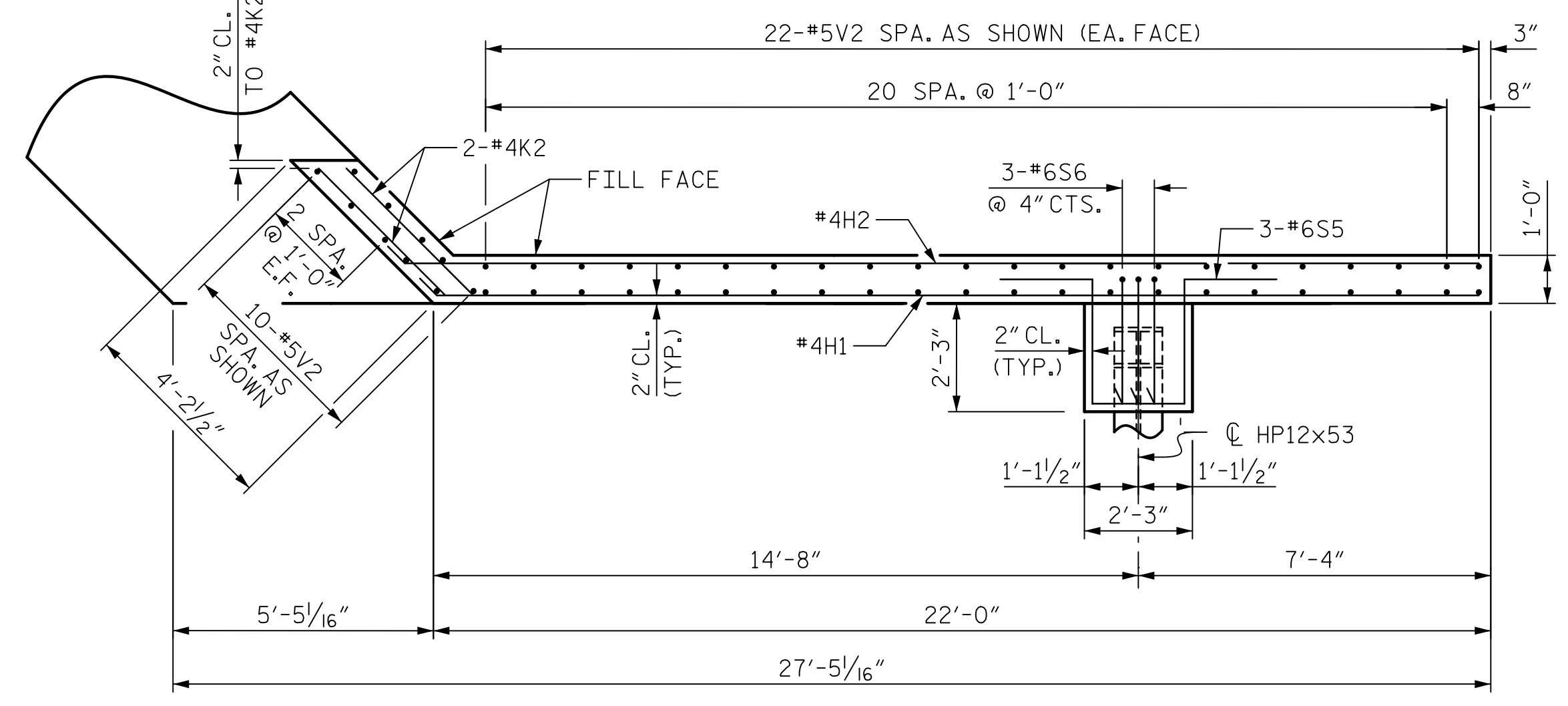
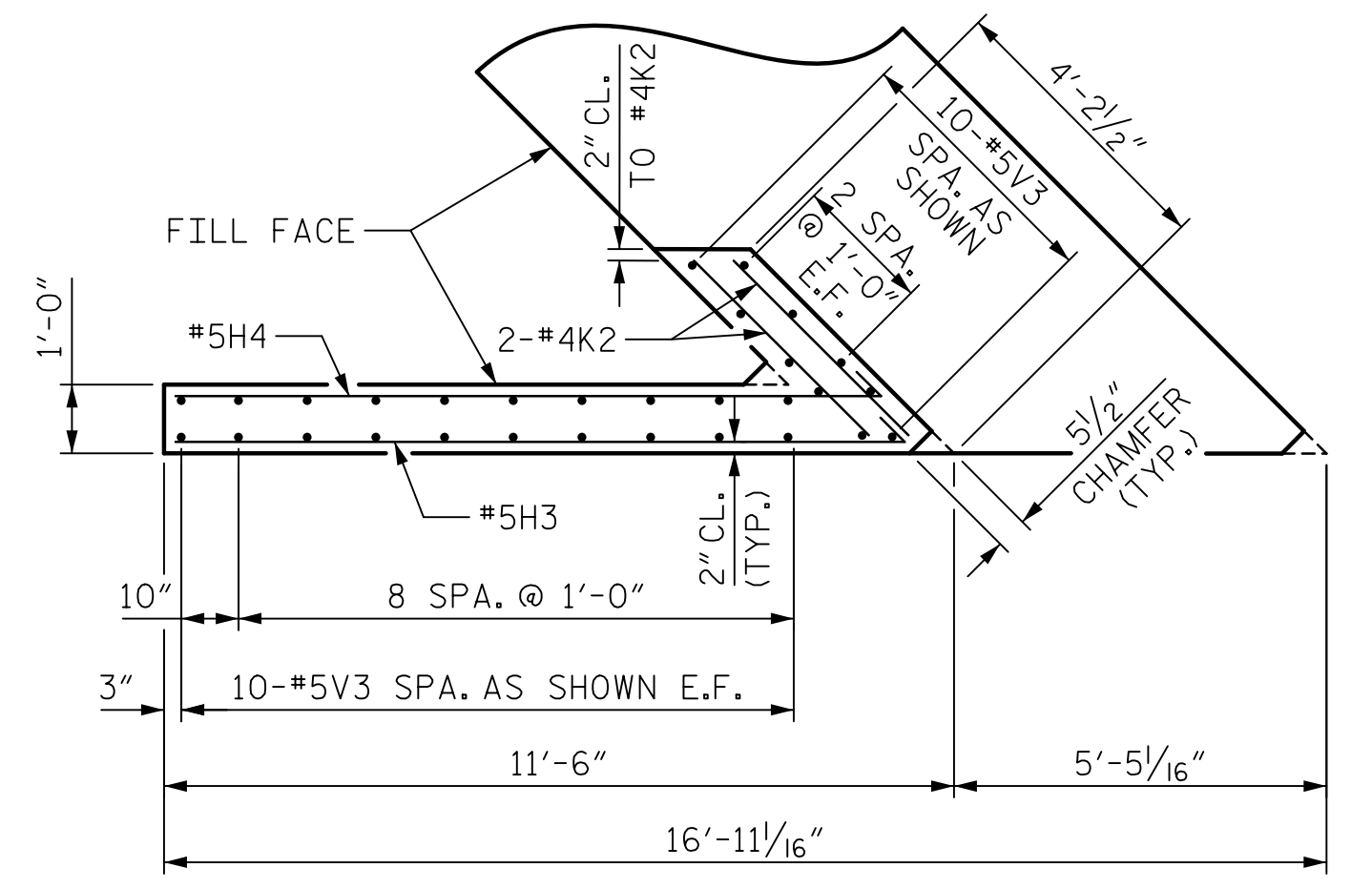


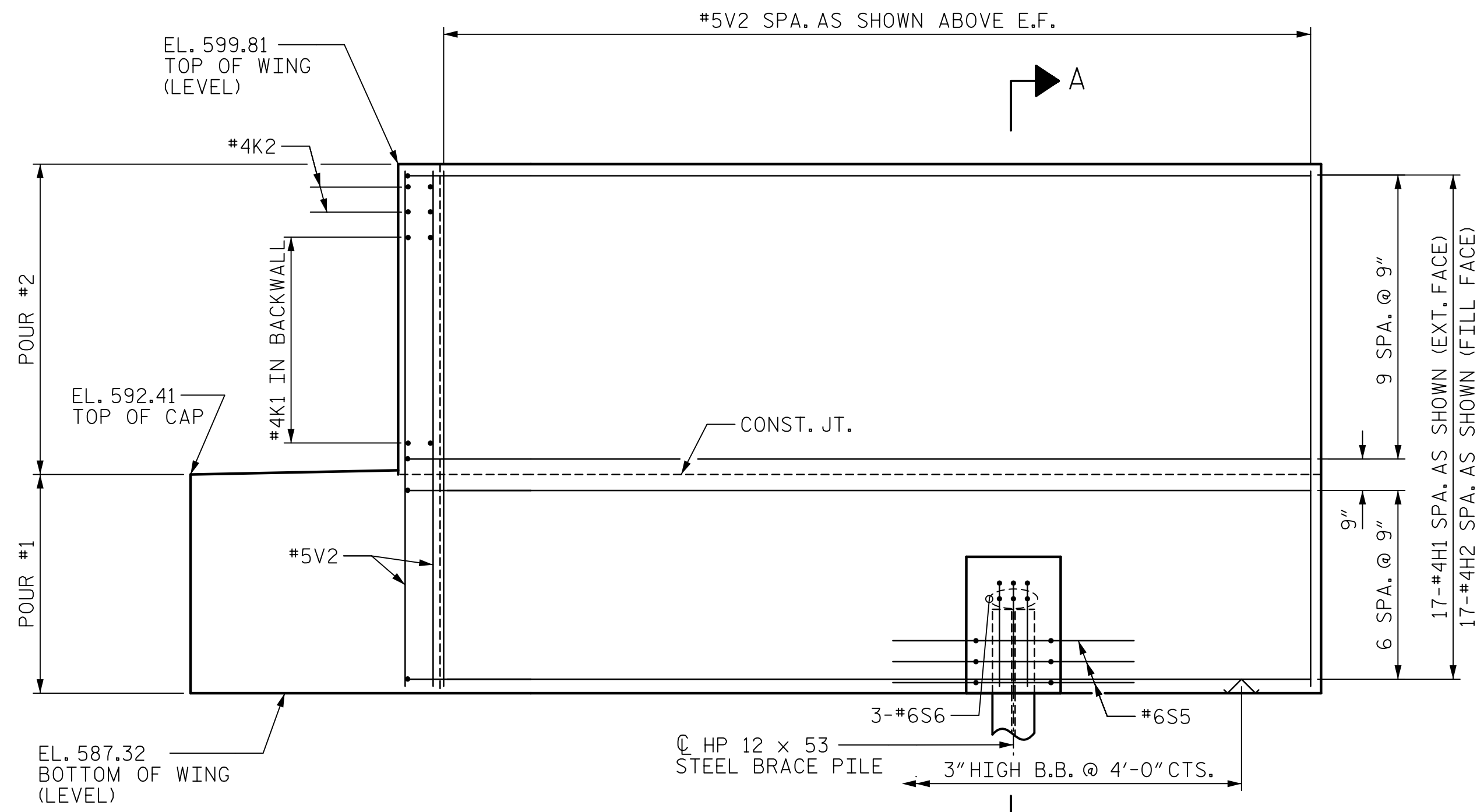
DATE: 3/29/2019
TIME: 2:55:22 PM



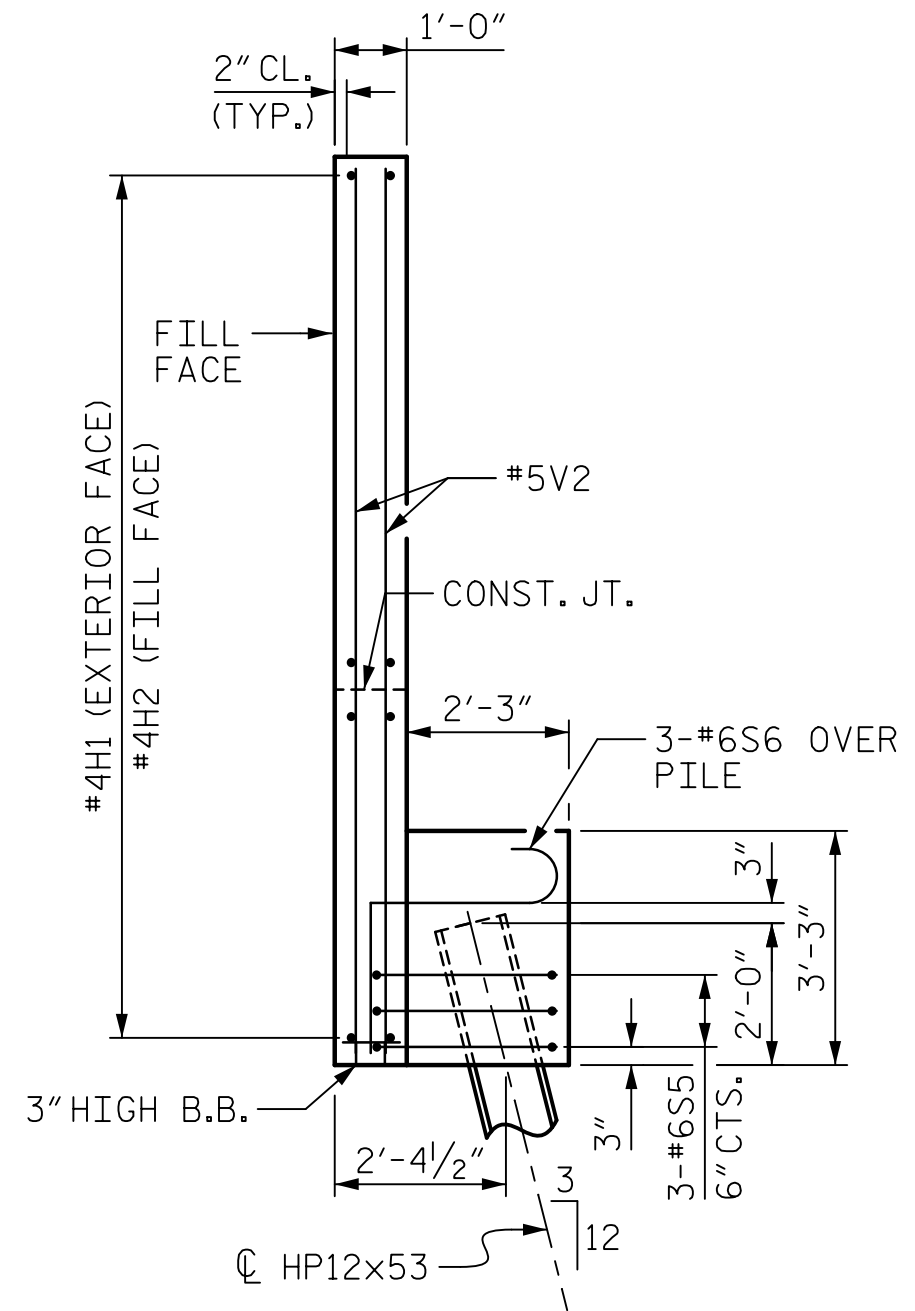
PLAN - WING W1



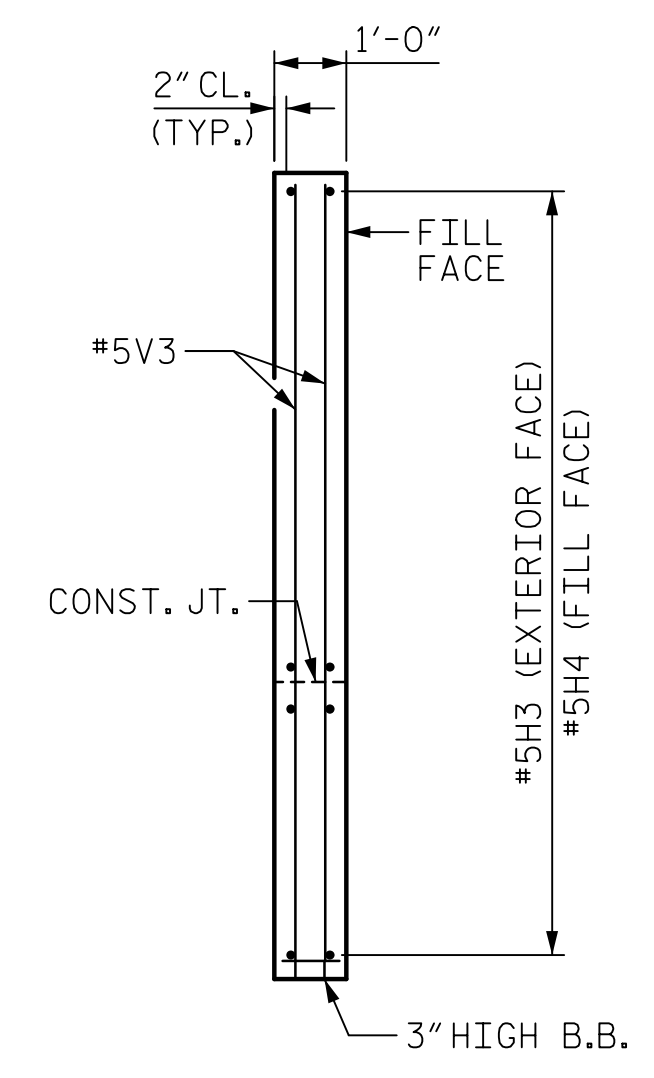
PLAN - WING W2



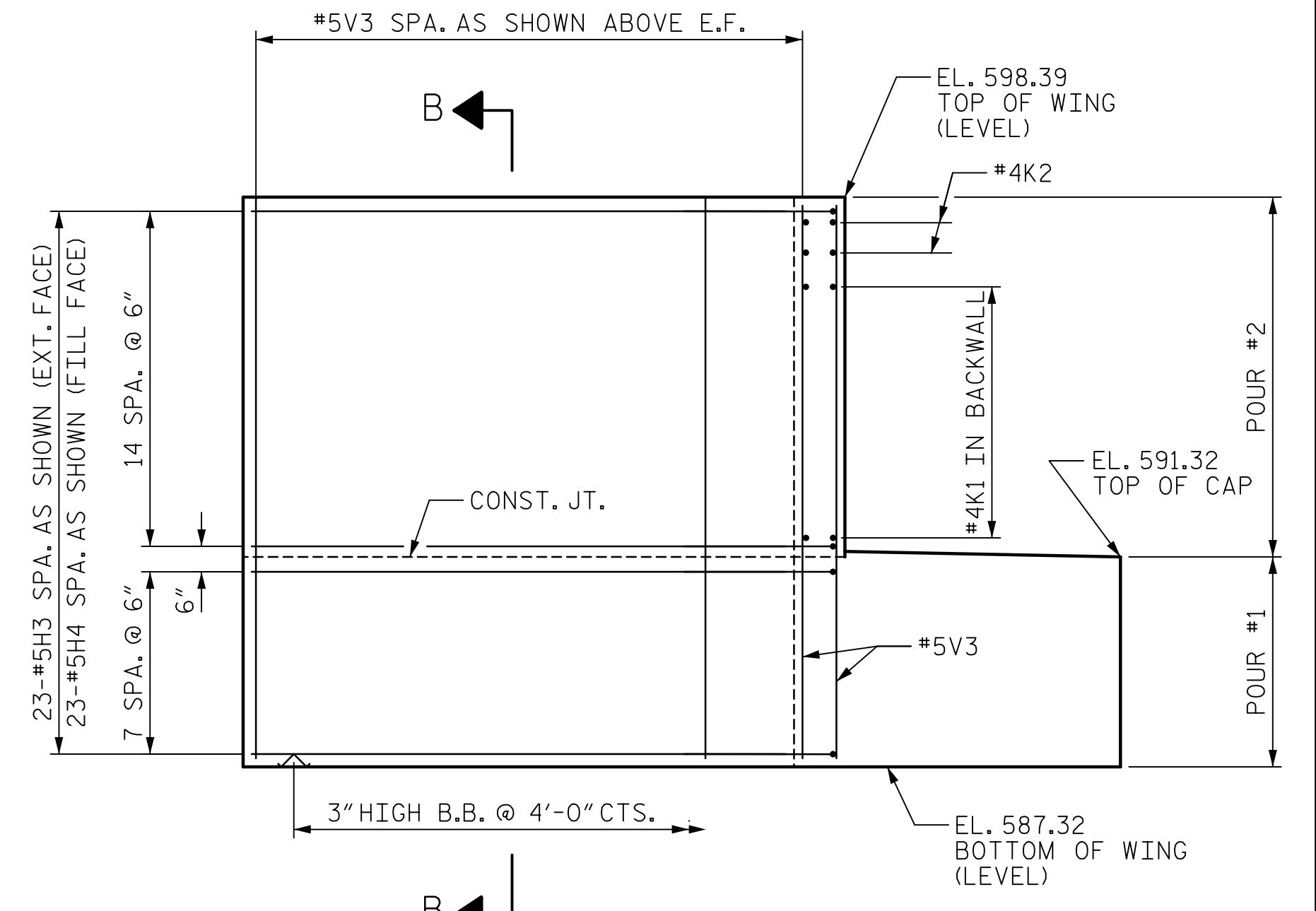
ELEVATION - WING W1



SECTION A-A



SECTION B-B



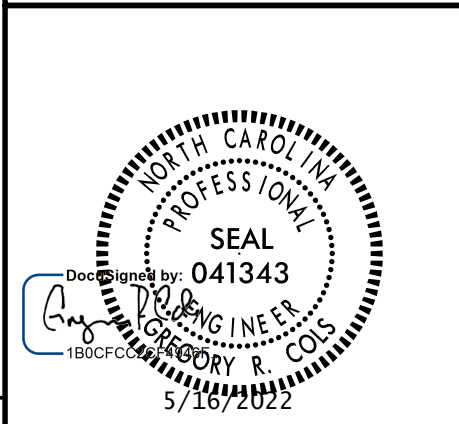
ELEVATION - WING W2

PROJECT NO. BR-0044
ROCKINGHAM COUNTY
STATION: 21+97.00 -L-

SHEET 2 OF 3

DRAWN BY : D.R. DRUM DATE : 10/2019
CHECKED BY : G.R. COLS DATE : 10/2019
DESIGNED BY : H.T. ROSEMOND DATE : 10/2019
DESIGN CHECKED BY : S. NATARAJAN DATE : 10/2019

DOCUMENT NOT CONSIDERED
FINAL UNLESS ALL
SIGNATURES COMPLETED



STATE OF NORTH CAROLINA DEPARTMENT OF TRANSPORTATION RALEIGH					
SUBSTRUCTURE					
END BENT 1					
REVISIONS					
NO.	BY:	DATE:	NO.	BY:	DATE:
1			3		
2			4		
SHEET NO.					S-29
TOTAL SHEETS					39

USER: R:\p\m\c\h\g\c\k\Drawings\401_0057_BR0044_LSMU_E102.dgn