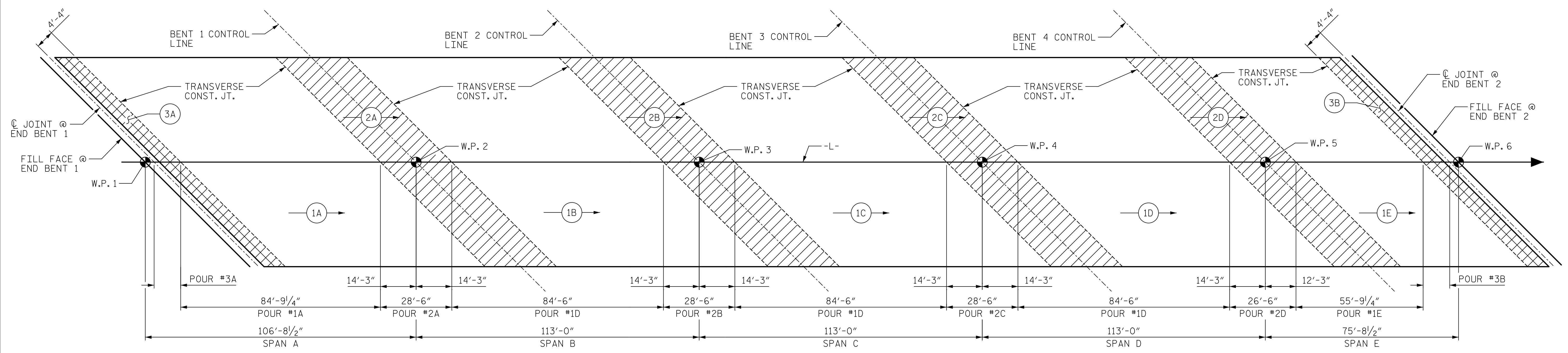
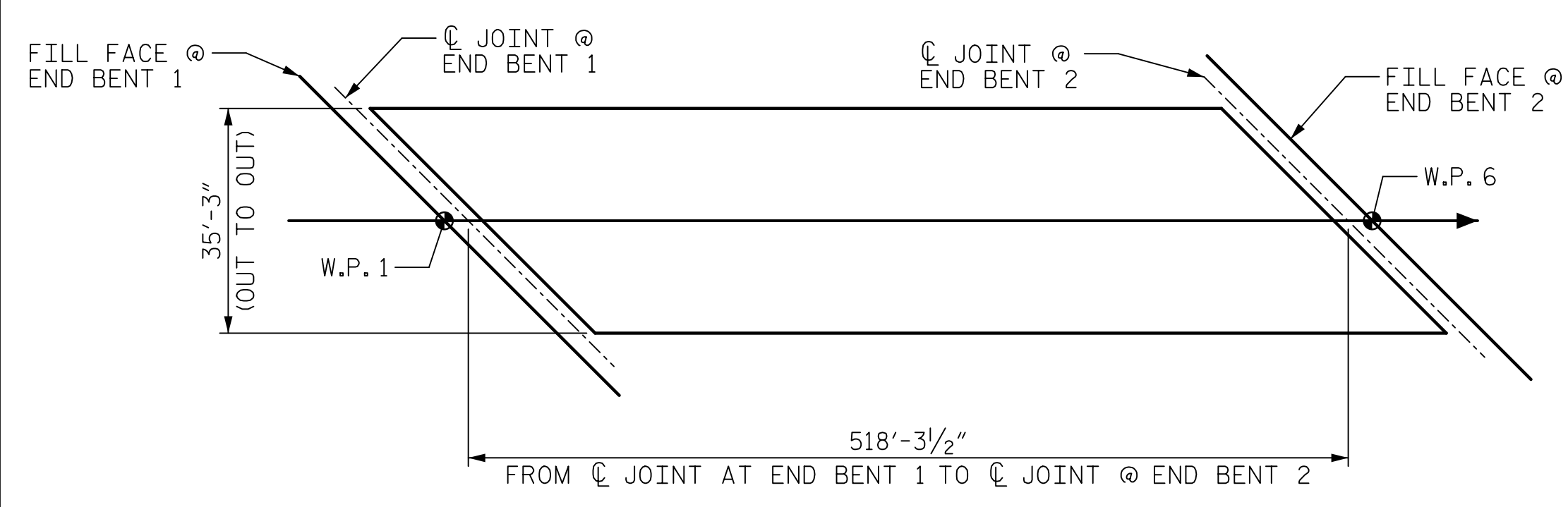


DATE: 3/29/2022
TIME: 2:26:22 PM



POURING SEQUENCE
 (#) → INDICATES POUR NUMBER AND POUR DIRECTION



LAYOUT FOR COMPUTING AREA
 REINFORCED CONCRETE DECK SLAB
 (SQ. FT. = 18,270)

—SUPERSTRUCTURE BILL OF MATERIAL—

	CLASS AA CONCRETE (CU. YDS.)	REINFORCING STEEL (LBS.)	EPOXY COATED REINFORCING STEEL (LBS.)
SPANS A-E		52,263	60,757
POUR #1A	88.2	-	-
POUR #1B	87.9	-	-
POUR #1C	87.9	-	-
POUR #1D	87.9	-	-
POUR #1E	58.0	-	-
POUR #2A	29.7	-	-
POUR #2B	29.7	-	-
POUR #2C	29.7	-	-
POUR #2D	27.6	-	-
POUR #3A	13.0	-	-
POUR #3B	13.0	-	-
TOTALS**	552.6	52,263	60,757

**QUANTITIES FOR BARRIER RAIL ARE NOT INCLUDED

LEGEND :

- DECK CLOSURE POUR AT LINK SLABS
- DECK CLOSURE POUR AT JOINTS

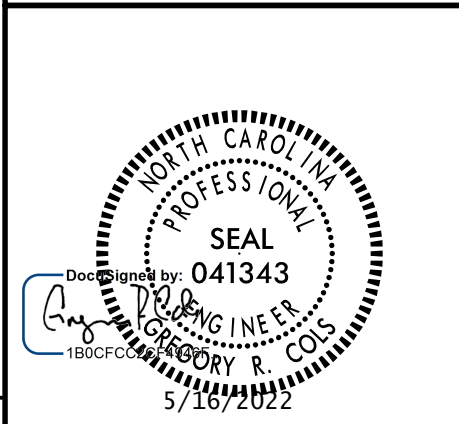
GROOVING BRIDGE FLOORS

APPROACH SLABS	1,368 SQ.FT.
BRIDGE DECK	14,995 SQ.FT.
TOTAL	16,363 SQ.FT.

DOCUMENT NOT CONSIDERED
 FINAL UNLESS ALL
 SIGNATURES COMPLETED

PROJECT NO. BR-0044
ROCKINGHAM COUNTY
 STATION: 21+97.00 -L-

SHEET 1 OF 2



STATE OF NORTH CAROLINA
 DEPARTMENT OF TRANSPORTATION
 RALEIGH

STANDARD
 SUPERSTRUCTURE
 BILL OF MATERIAL

REVISIONS						SHEET NO.
NO.	BY:	DATE:	NO.	BY:	DATE:	S-26
1			3			TOTAL SHEETS
2			4			39

DRAWN BY : D.R. DRUM DATE : 03/2022
 CHECKED BY : G.R. COLS DATE : 03/2022
 DESIGNED BY : D.R. DRUM DATE : 03/2022
 DESIGN CHECKED BY : G.R. COLS DATE : 03/2022

USER: Bin.Tan.Cheng.dgn
 DSN: R:\Structures\04 Drawings\01_0051_BR0044_SKUL_BM01.dgn