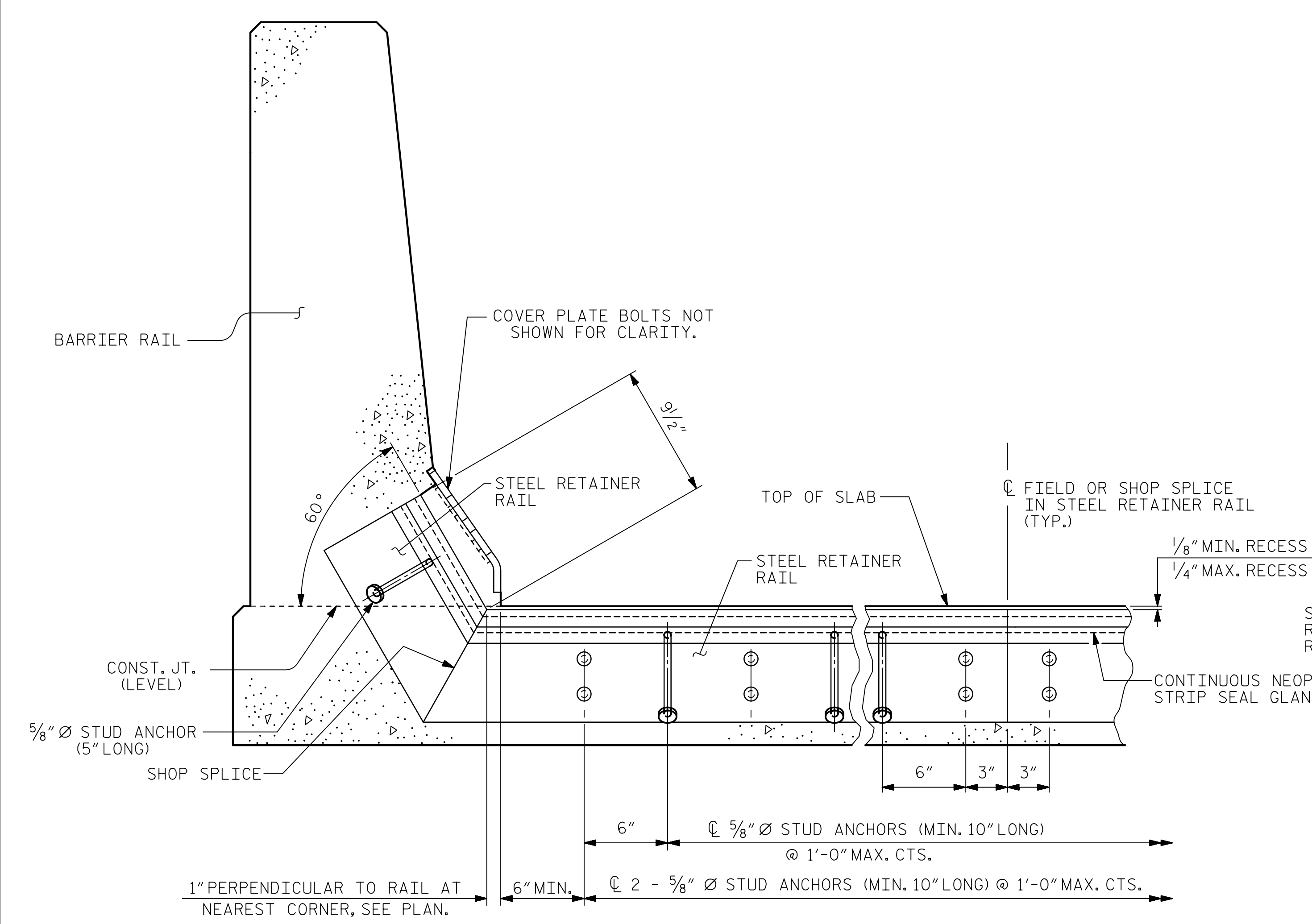
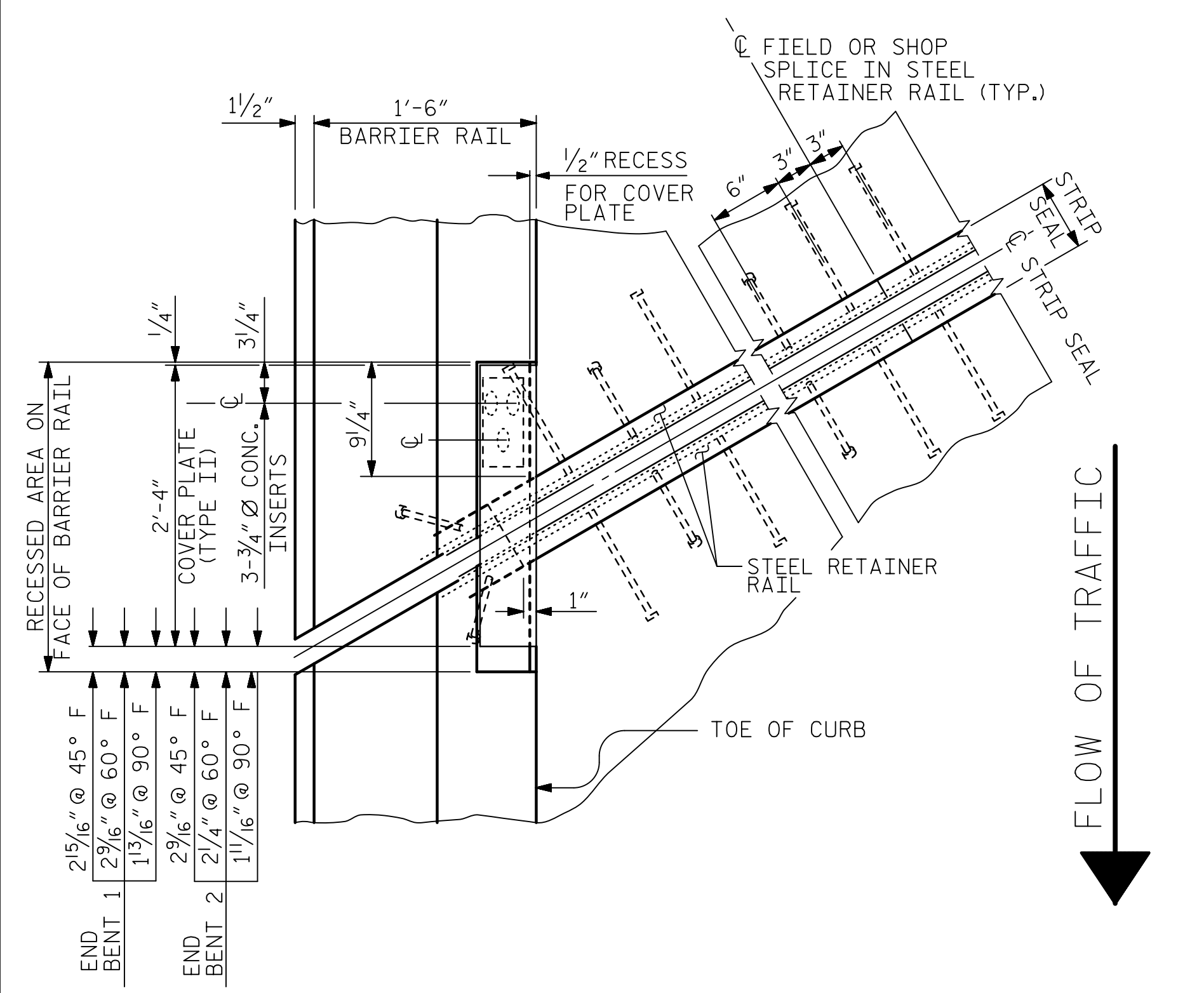


DATE: 3/29/2022
TIME: 2:26:02 PM

USER: BenJaco@hccok
DIR: R:\Structures\04 Drawings\401_0048_BR0044_SML-E-IT02.dgn

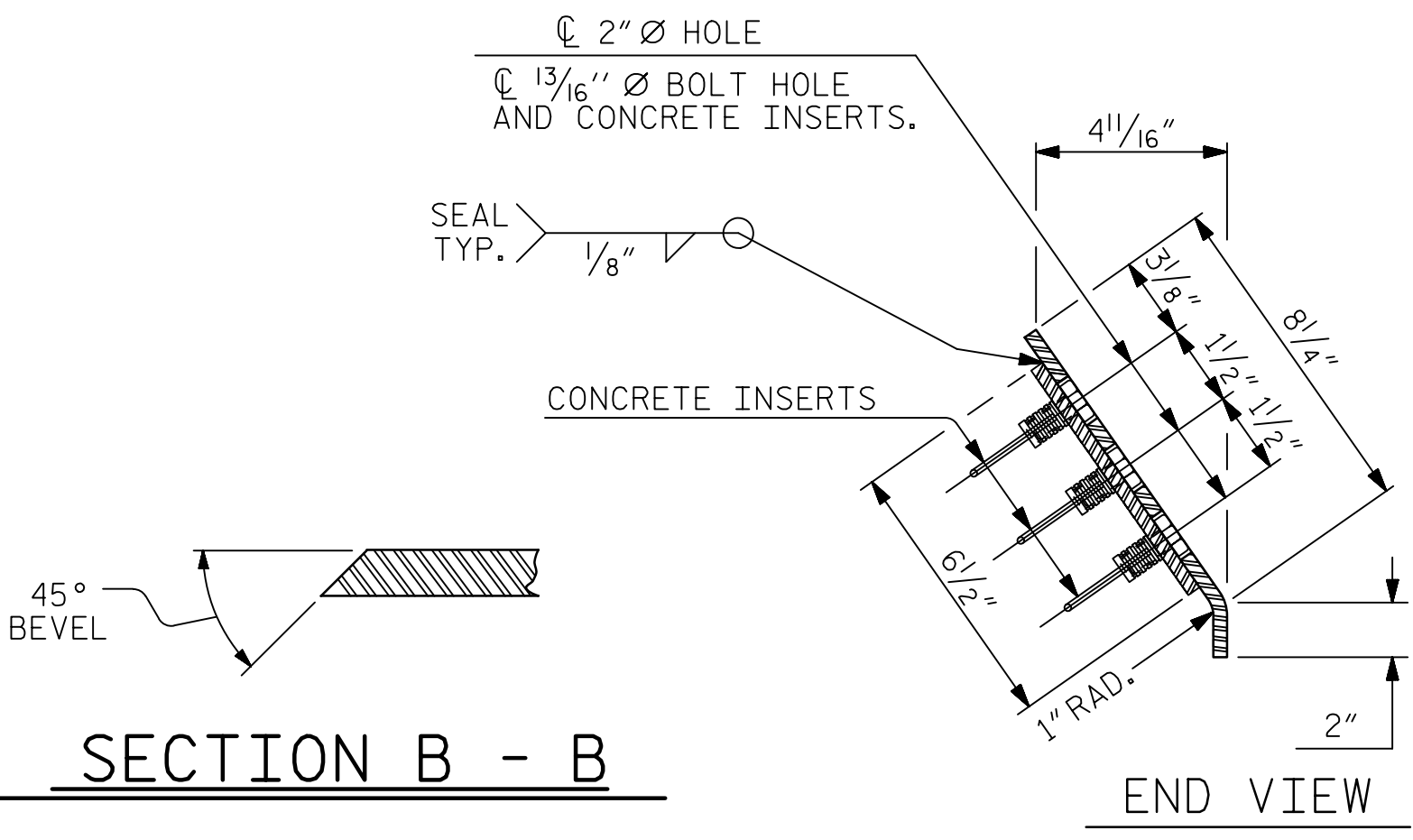


SECTION THRU RAIL NORMAL TO JOINT



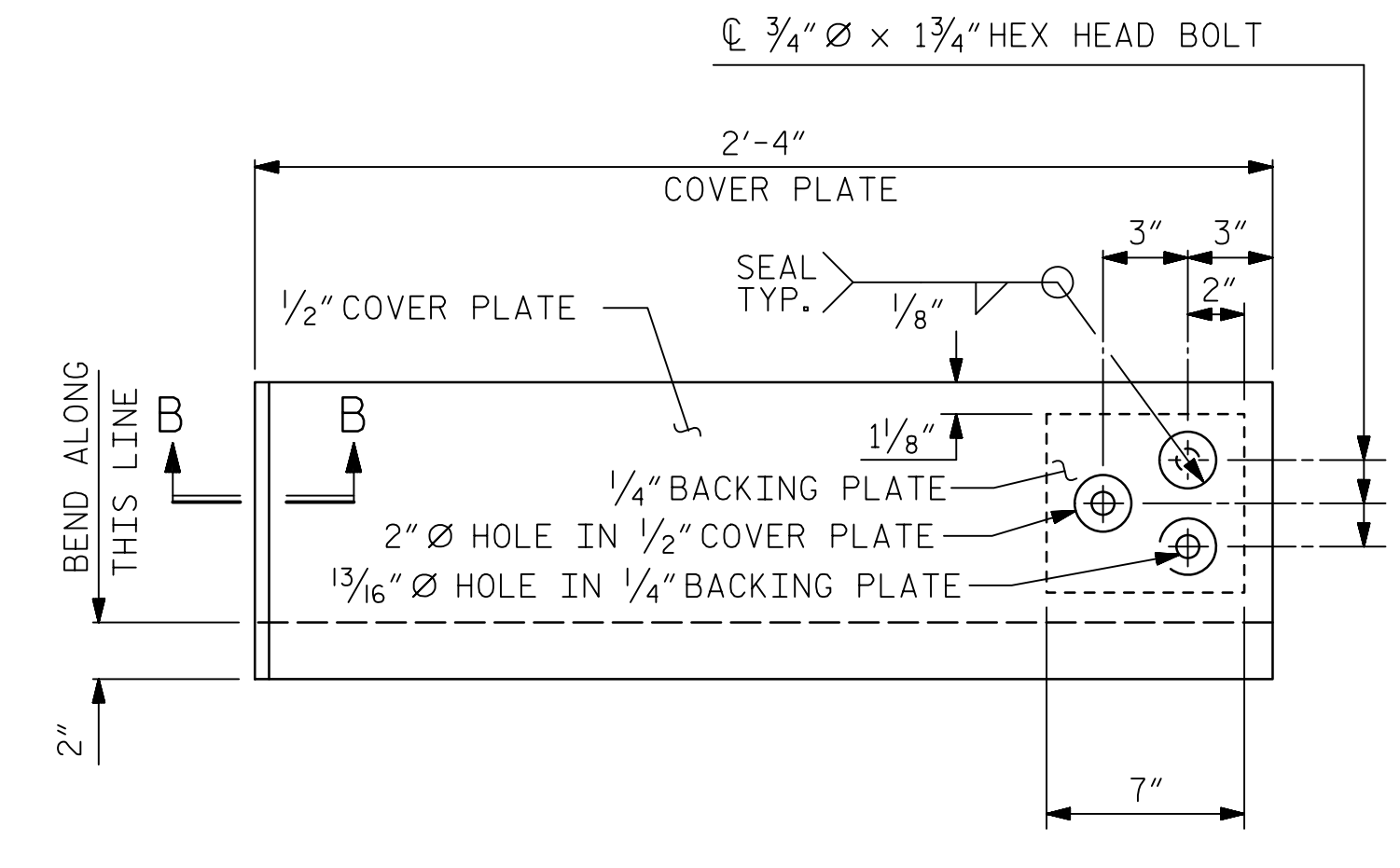
PLAN OF EXPANSION JOINT SEAL

ASSEMBLED BY : D.R. DRUM	DATE : 03/2022	MAA/GM
CHECKED BY : G.R. COLS	DATE : 03/2022	MAA/GM
DESIGNED BY : B.D. HODACK	DATE : 02/2022	MAA/GM
DESIGN CHECKED BY : G.R. COLS	DATE : 02/2022	MAA/THC
DRAWN BY : REK 9/87	REV. 7/12	MAA/GM
CHECKED BY : CRK 10/87	REV. 6/13	MAA/GM
	REV. 12/17	MAA/THC



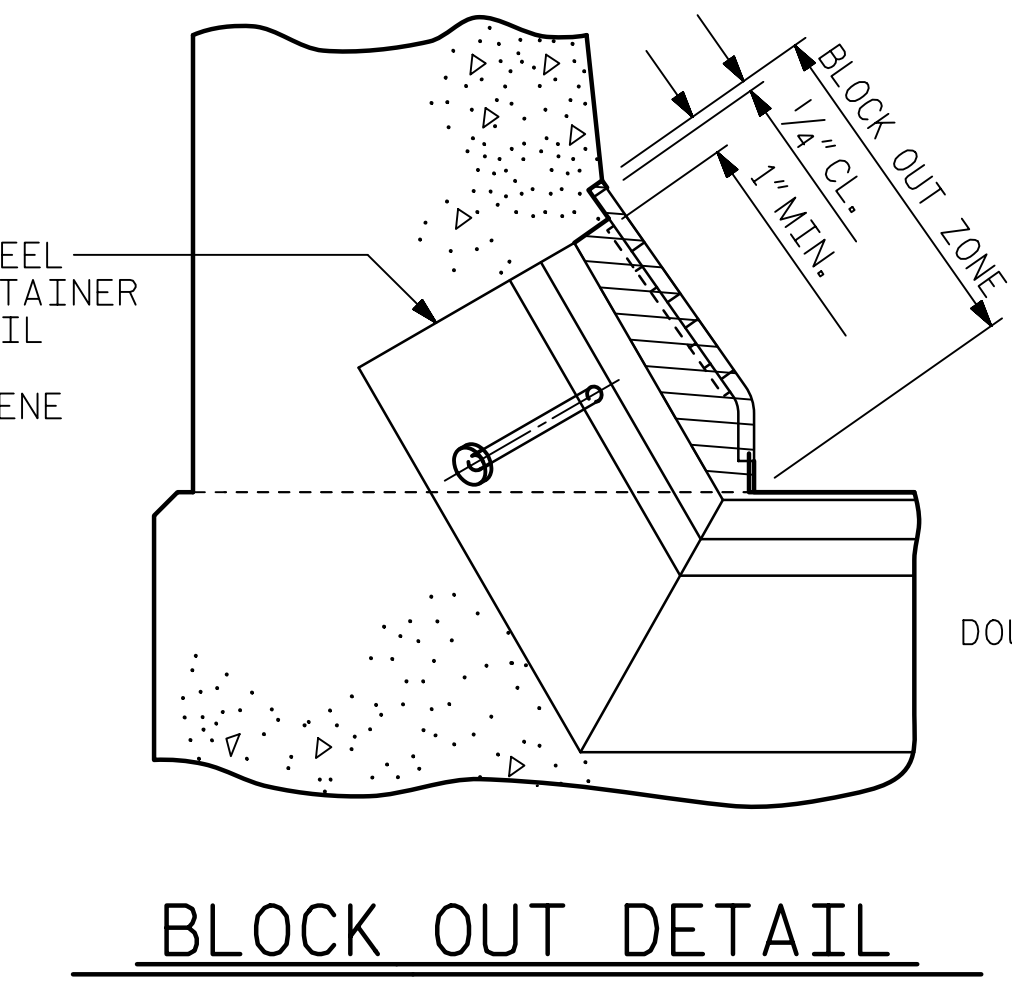
SECTION B - B

END VIEW

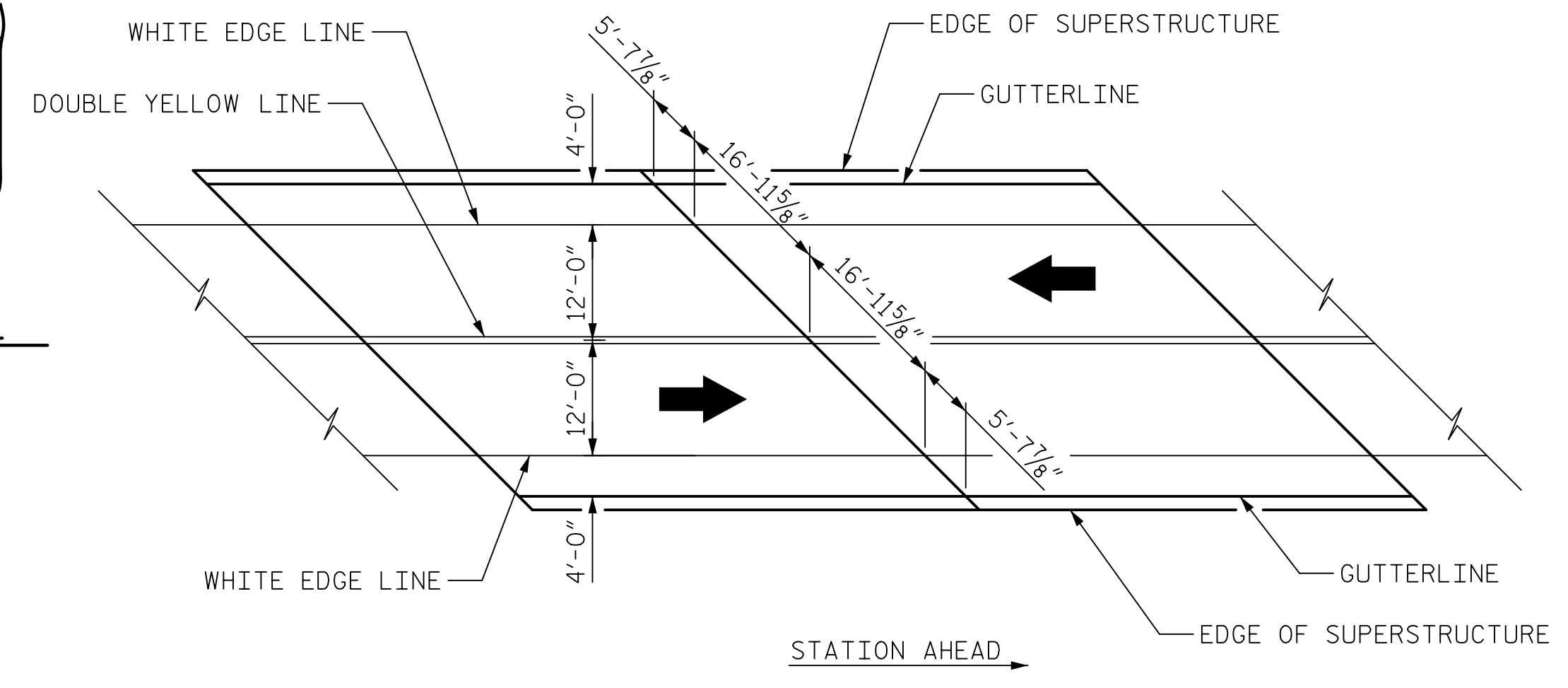


TYPE II - ELEVATION VIEW

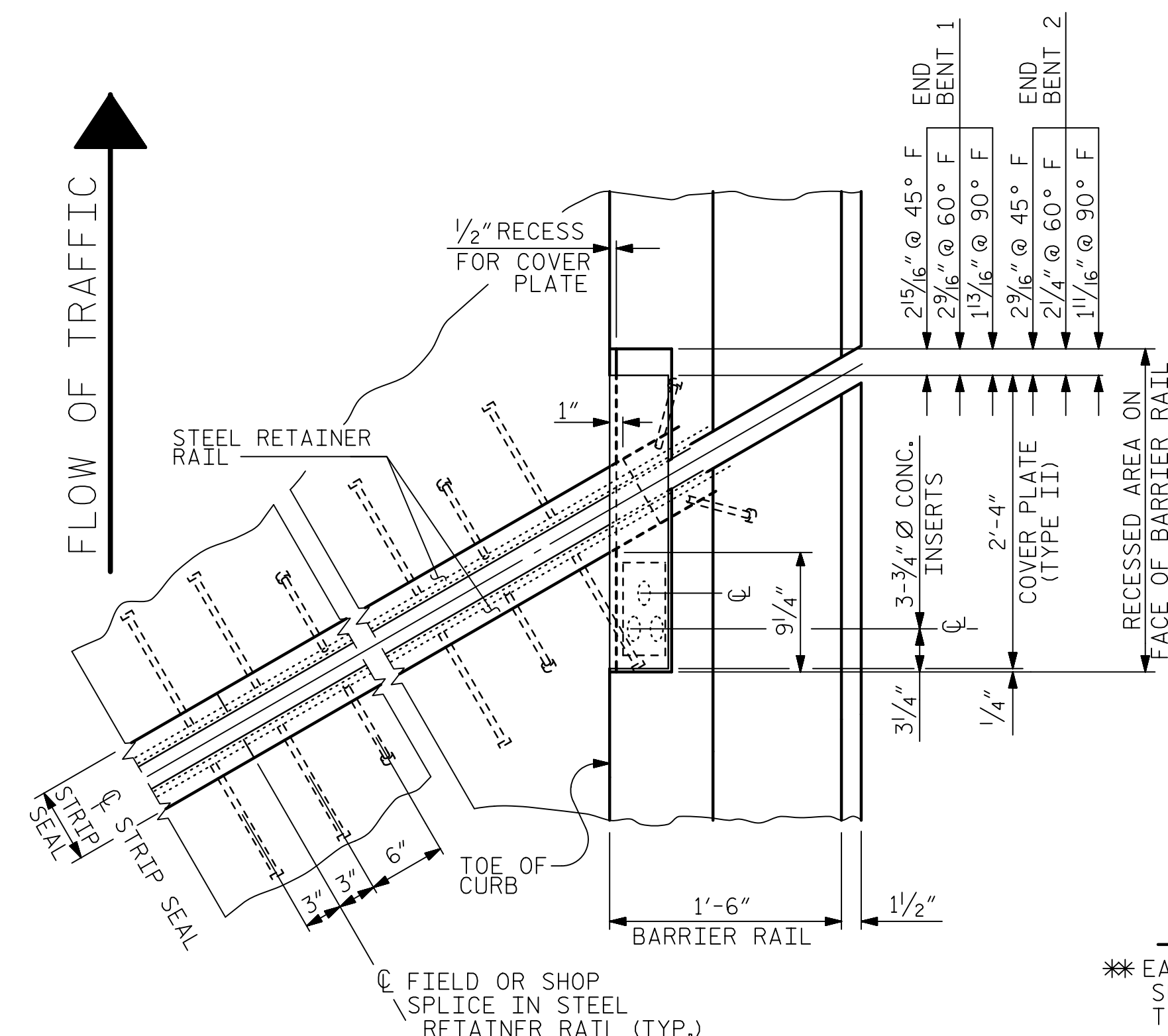
COVER PLATE DETAILS



BLOCK OUT DETAIL



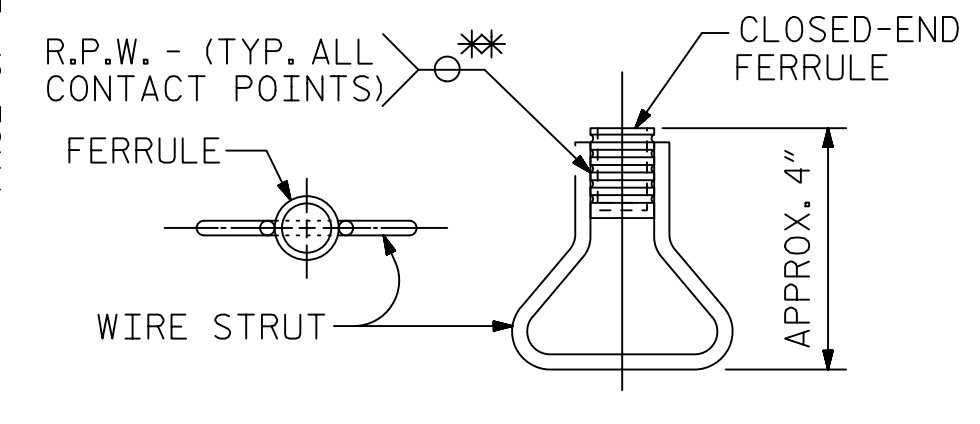
PAVEMENT MARKING ALIGNMENT



PLAN ELEVATION

CONCRETE INSERT

* EACH WELDED ATTACHMENT OF WIRE TO FERRULE SHALL DEVELOP THE TENSILE STRENGTH OF THE WIRE.



PLAN ELEVATION

CONCRETE INSERT

* EACH WELDED ATTACHMENT OF WIRE TO FERRULE SHALL DEVELOP THE TENSILE STRENGTH OF THE WIRE.

PROJECT NO. BR-0044
ROCKINGHAM COUNTY
STATION: 21+97.00 -L-

SHEET 2 OF 2



STATE OF NORTH CAROLINA
DEPARTMENT OF TRANSPORTATION
RALEIGH

STANDARD
STRIP SEAL EXPANSION
JOINT DETAILS
FOR BARRIER RAIL

REVISIONS						SHEET NO.
NO.	BY:	DATE:	NO.	BY:	DATE:	S-25
1			3			TOTAL SHEETS
2			4			39

DOCUMENT NOT CONSIDERED FINAL UNLESS ALL SIGNATURES COMPLETED

STD. NO. SSEJ2