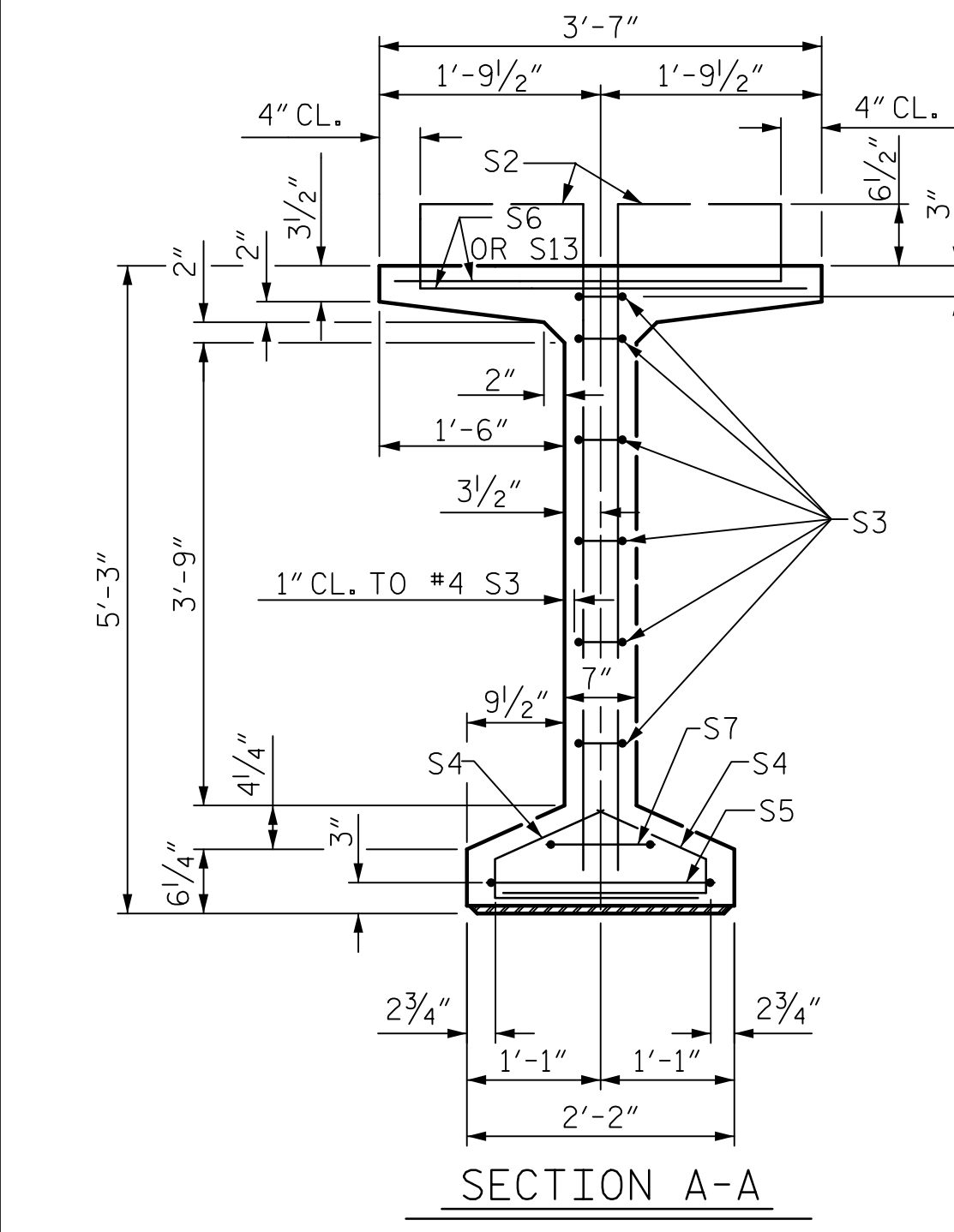
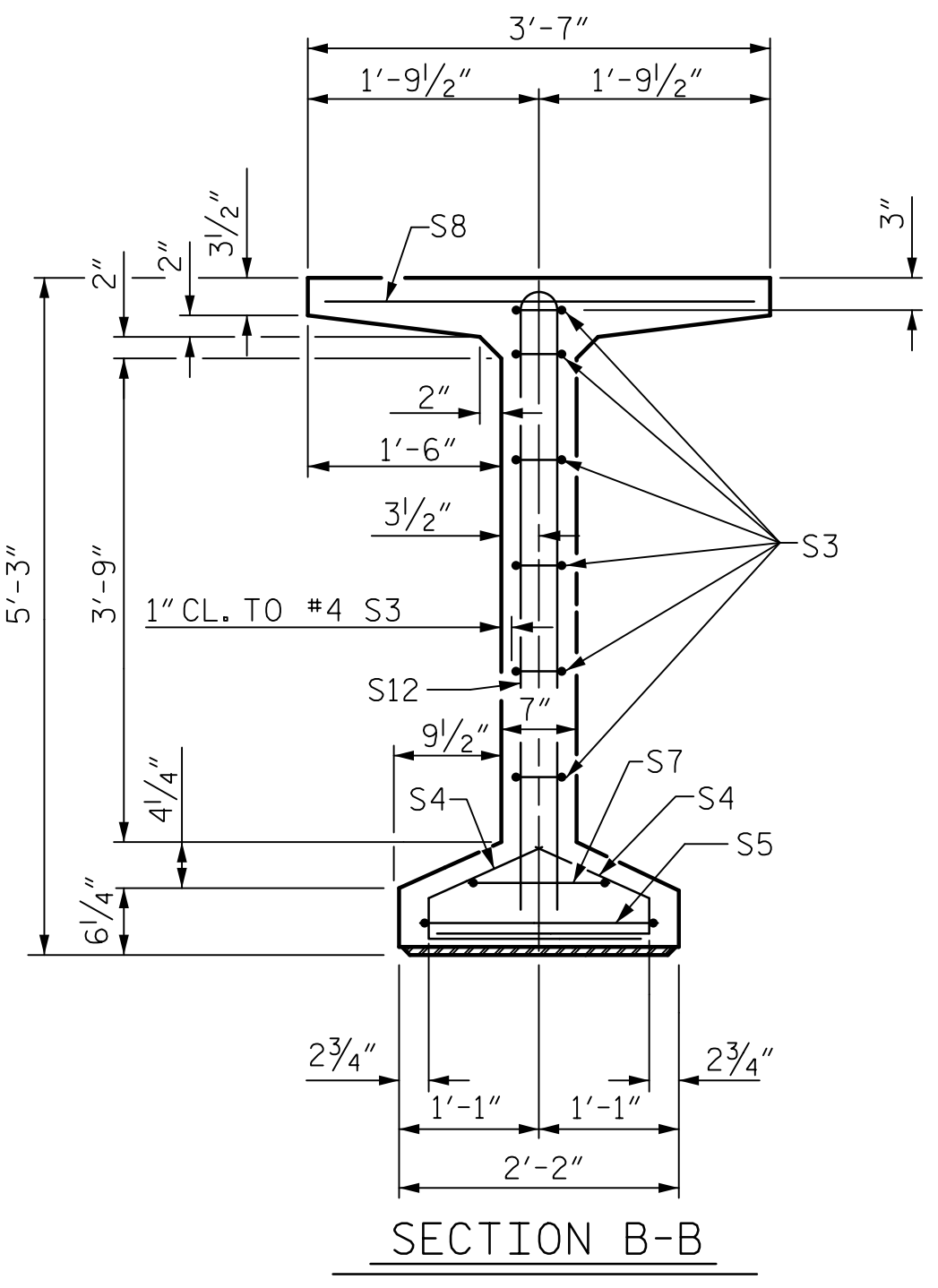


DATE: 3/29/2022
TIME: 2:26:57 PM

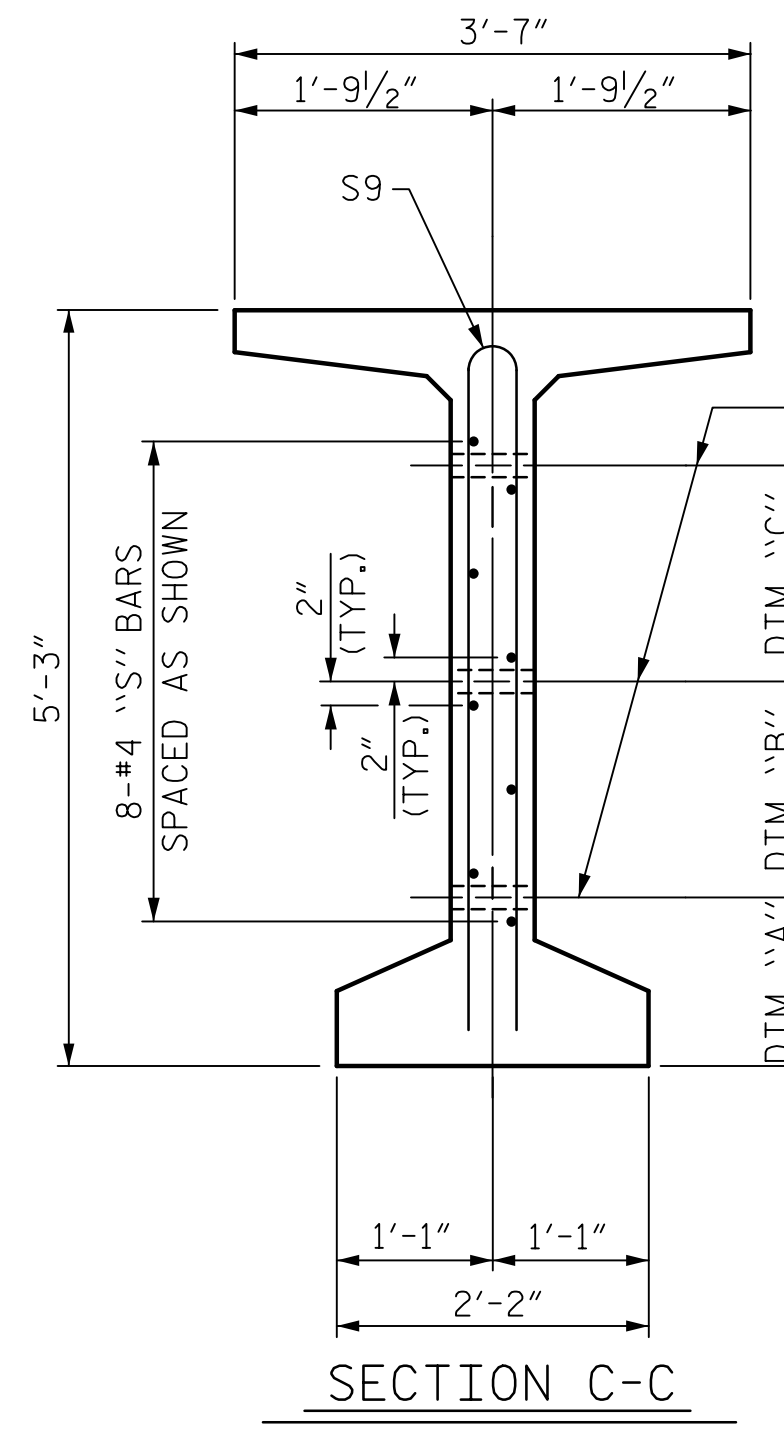
USER: BinJambalaga
DIR: R:\Structures\04 Drawings\01_0031_BR0044_SML_503.dgn



SECTION A-A



SECTION B-B

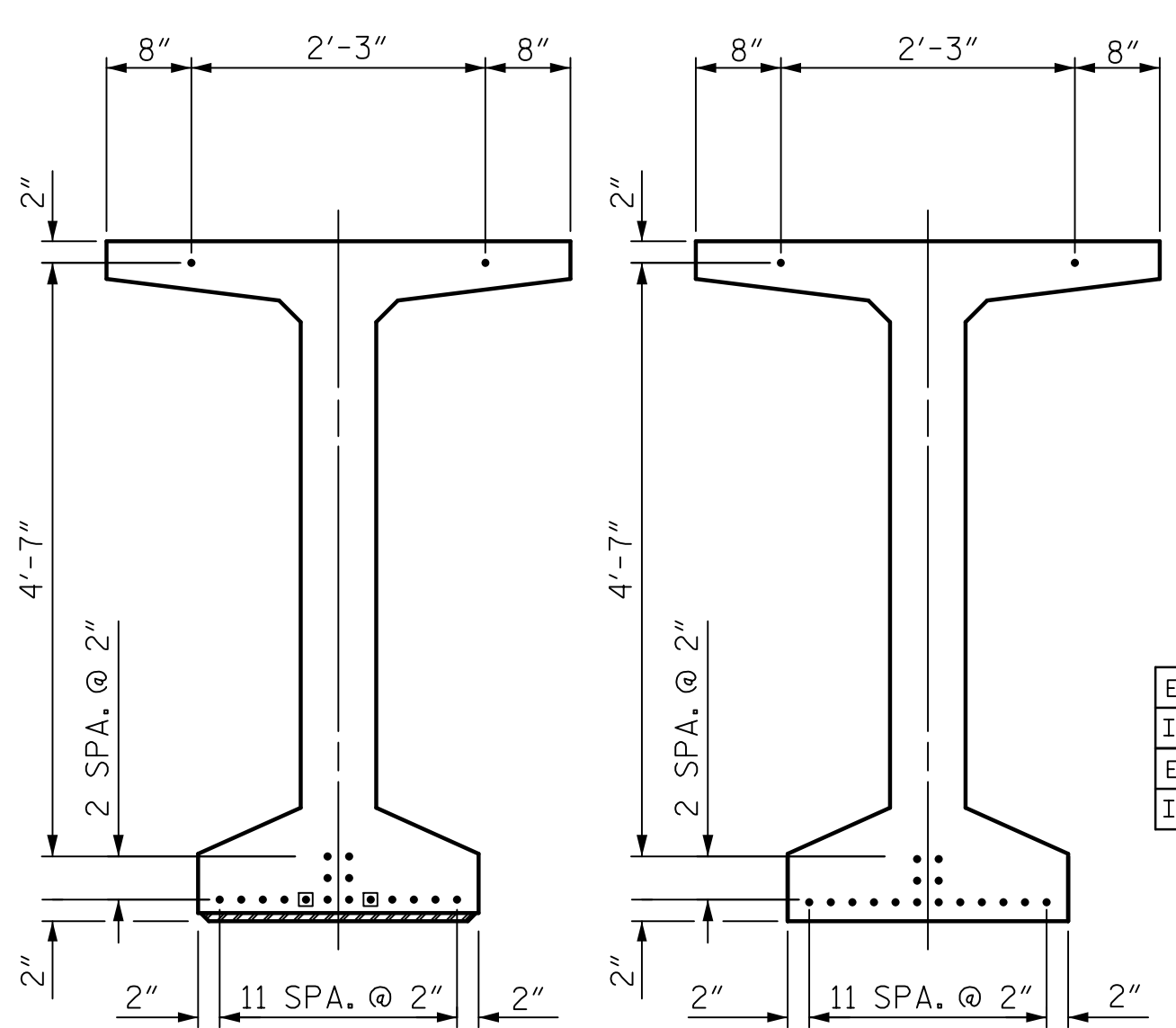


SECTION C-C

(S1, S6 AND S8 BARS NOT SHOWN)

1/2" Ø FORMED HOLE. SEE ELEVATION FOR LOCATION. FOR DIM. 'A', 'B' & 'C' SEE "INTERMEDIATE STEEL DIAPHRAGMS" SHEET.)

DEBONDING LEGEND
 ● FULLY BONDED STRANDS
 ◻ STRANDS DEBONDED FOR 4'-0" FROM END OF GIRDER

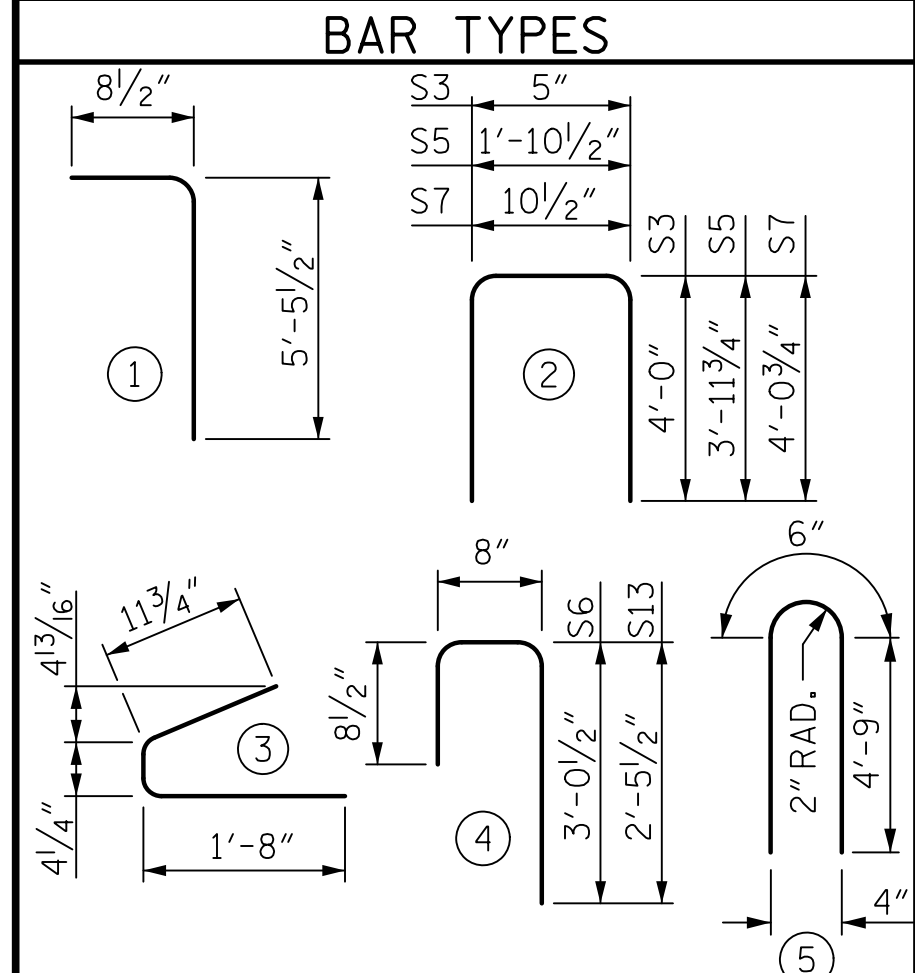


AT END OF GIRDER AT C OF GIRDER
0.6" Ø LOW RELAXATION STRAND LAYOUT

EXTERIOR GDR.
INTERIOR GDR.
EXTERIOR GDR.
INTERIOR GDR.

| 0.6" Ø L. R. GRADE 270 STRANDS | | |
|--------------------------------|-------------------------------------|-------------------------------------|
| AREA (SQUARE INCHES) | ULTIMATE STRENGTH (LBS. PER STRAND) | APPLIED PRESTRESS (LBS. PER STRAND) |
| 0.217 | 58,600 | 43,950 |

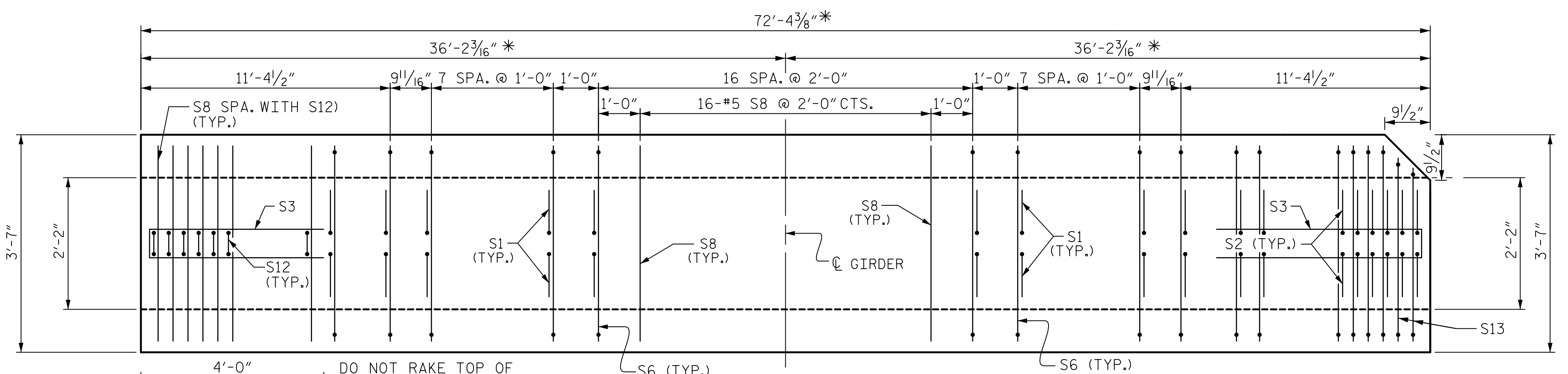
| REINFORCING STEEL FOR ONE GDR | | | | | |
|-------------------------------|--------|------|------|--------|--------|
| BAR | NUMBER | SIZE | TYPE | LENGTH | WEIGHT |
| S1 | 126 | #4 | 1 | 6'-2" | 519 |
| S2 | 20 | #5 | 1 | 6'-2" | 129 |
| S3 | 12 | #4 | 2 | 8'-5" | 67 |
| S4 | 132 | #4 | 3 | 3'-0" | 265 |
| S5 | 2 | #5 | 2 | 9'-10" | 21 |
| S6 | 142 | #5 | 4 | 4'-5" | 654 |
| S7 | 2 | #5 | 2 | 9'-0" | 19 |
| S8 | 26 | #5 | STR | 3'-3" | 88 |
| S9 | 4 | #5 | 5 | 10'-0" | 42 |
| S10 | 8 | #5 | 5 | 10'-0" | 83 |
| S11 | 8 | #4 | STR | 8'-0" | 43 |
| S12 | 10 | #5 | 5 | 17'-0" | 104 |
| S13 | 4 | #5 | 4 | 3'-10" | 16 |



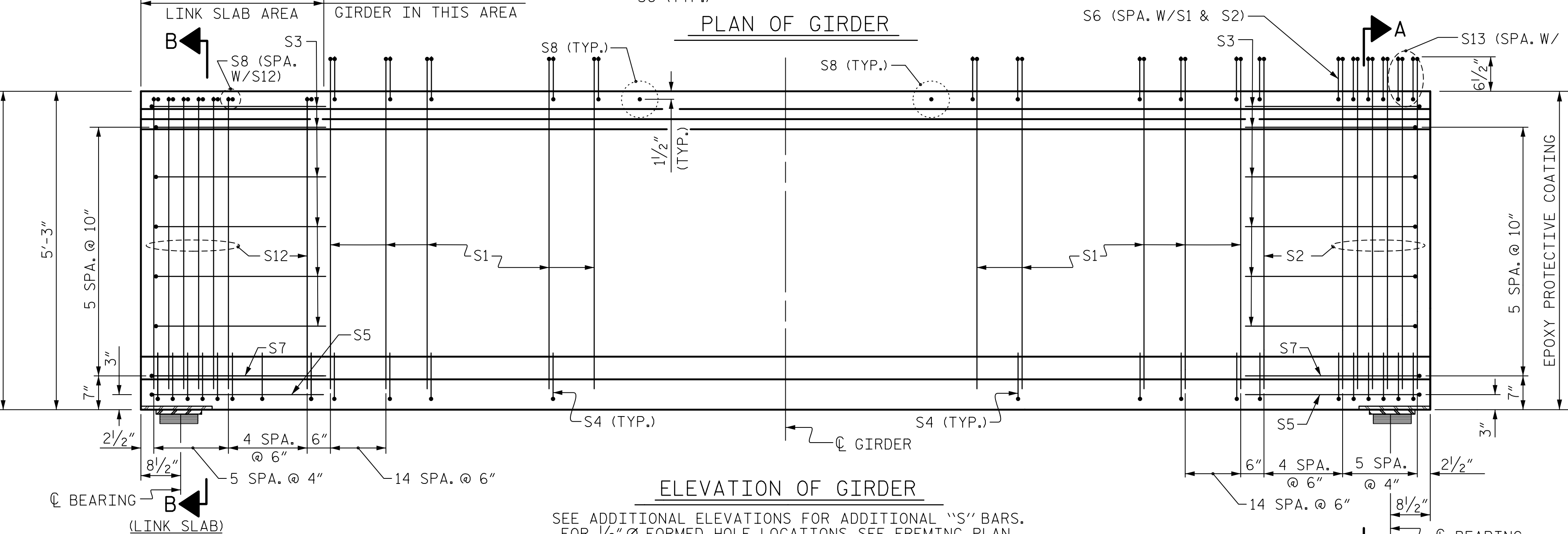
ALL BAR DIMENSIONS ARE OUT-TO-OUT

| QUANTITIES FOR ONE GIRDER | | | |
|---------------------------|-------------------|--------------------|---------------------|
| | REINFORCING STEEL | 8,500 PSI CONCRETE | 0.6" Ø L.R. STRANDS |
| | LB. | C.Y. | No. |
| EXTERIOR GIRDER | 1967 | 14.3 | 18 |
| INTERIOR GIRDER | 2057 | 14.3 | 18 |

| GIRDERS REQUIRED | | |
|------------------|------------|--------------|
| NUMBER | LENGTH | TOTAL LENGTH |
| 4 | 72'-4 3/8" | 289'-5 1/2" |

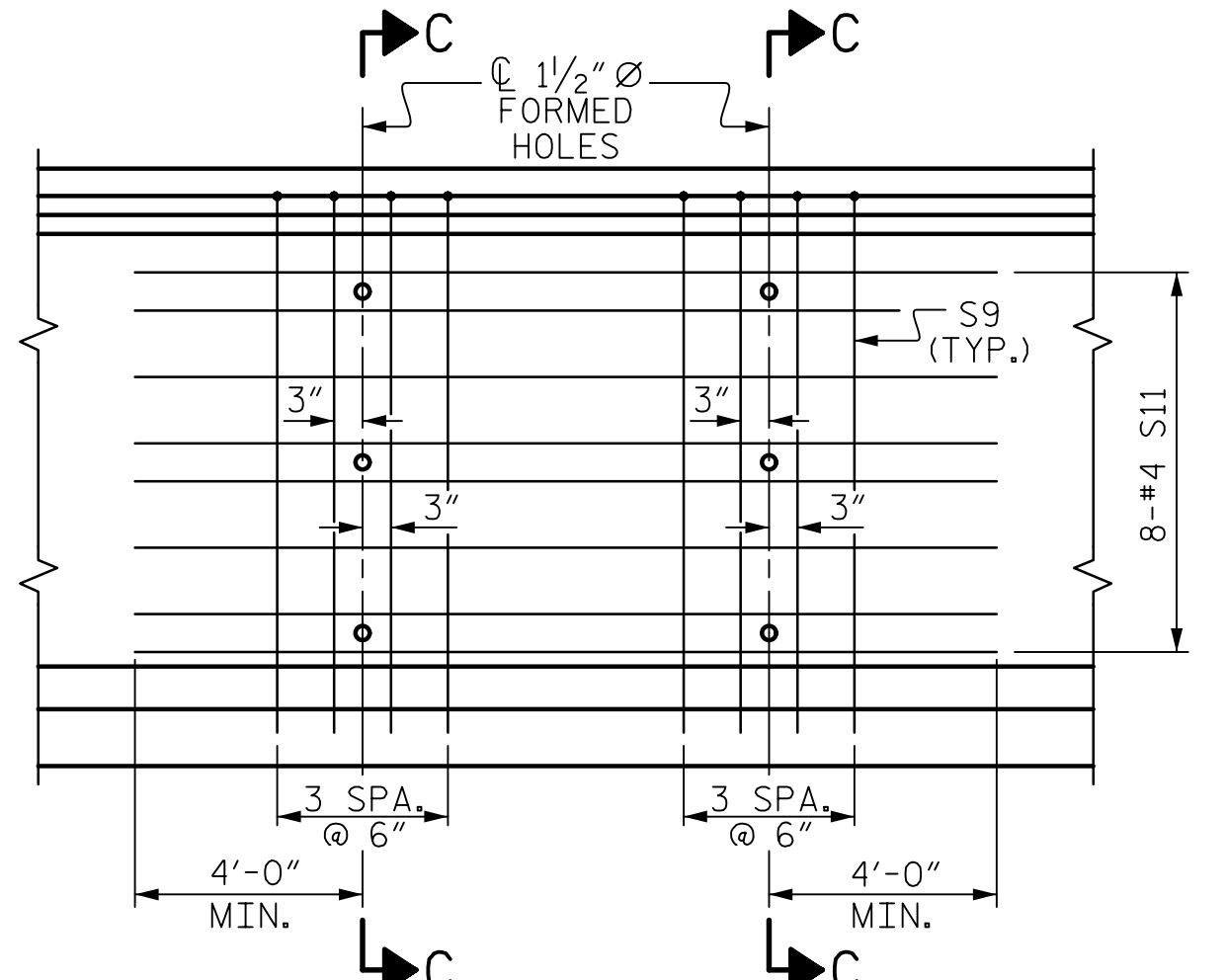


PLAN OF GIRDER



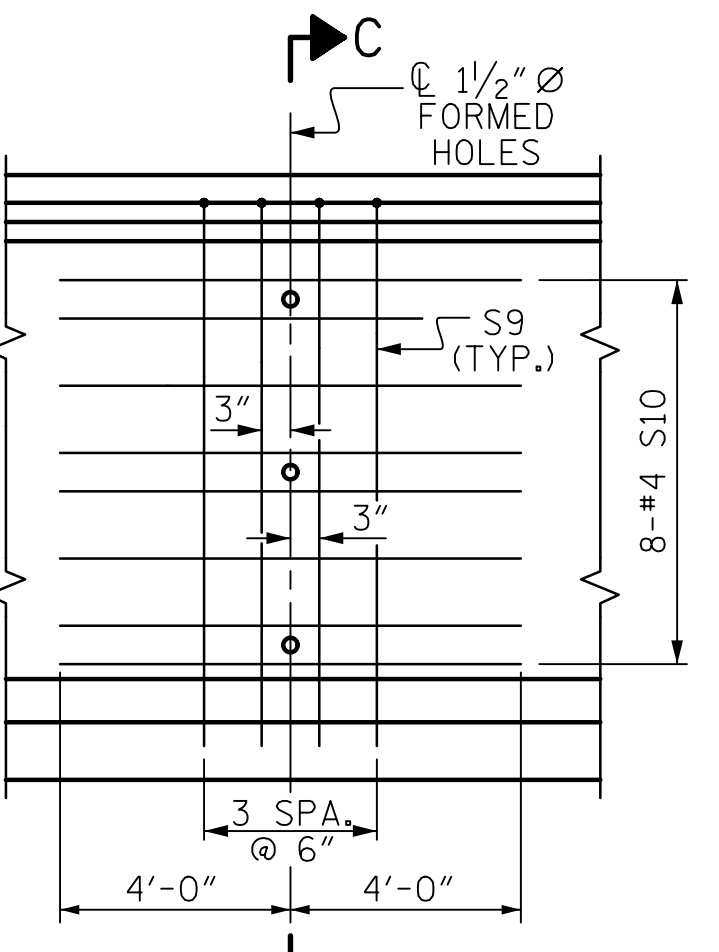
ELEVATION OF GIRDER

SEE ADDITIONAL ELEVATIONS FOR ADDITIONAL "S" BARS. FOR 1/2" Ø FORMED HOLE LOCATIONS, SEE FREEMING PLAN.



PARTIAL ELEVATION

SHOWING INTERMEDIATE STEEL DIAPHRAGM REINFORCING STEEL FOR GIRDER Nos. E2 & E3



PARTIAL ELEVATION

SHOWING INTERMEDIATE STEEL DIAPHRAGM REINFORCING STEEL FOR GIRDER Nos. E1 & E4

DOCUMENT NOT CONSIDERED FINAL UNLESS ALL SIGNATURES COMPLETED

| | | |
|-------------------------------|---------------|---------|
| ASSEMBLED BY : D.R. DRUM | DATE : 2/2022 | |
| CHECKED BY : G.R. COLS | DATE : 2/2022 | |
| DESIGNED BY : D.R. DRUM | DATE : 2/2022 | |
| DESIGN CHECKED BY : G.R. COLS | DATE : 2/2022 | |
| DRAWN BY : EEM 2/6/97 | REV. 6/13 | MAA/GM |
| CHECKED BY : VAP 2/6/97 | REV. 1/15 | MAA/TMG |
| | REV. 12/17 | MAA/THC |

* DIMENSIONS SHOWN ON HORIZONTAL PROJECTION

PROJECT NO. BR-0044
ROCKINGHAM COUNTY
STATION: 21+97.00 -L-

SHEET 3 OF 6

AECOM
AECOM TECHNICAL SERVICES OF NC, INC.
 5438 WADE PARK BOULEVARD, SUITE 200
 RALEIGH, NC 27607
 (919) 854-6200 www.aecom.com
 AECOM License No. F-0342

Professional Engineer Seal
 State of North Carolina
 No. 041343
 Gregory R. Cox
 5/15/2022

STATE OF NORTH CAROLINA
 DEPARTMENT OF TRANSPORTATION
 RALEIGH
 STANDARD
 63" PRESTRESSED CONCRETE
 MODIFIED BULB TEE
 LINK SLAB
 SPAN E

| REVISIONS | | | | | | SHEET NO. |
|-----------|-----|-------|-----|-----|-------|-----------------|
| NO. | BY: | DATE: | NO. | BY: | DATE: | S-16 |
| 1 | | | 3 | | | TOTAL SHEETS 39 |
| 2 | | | 4 | | | |