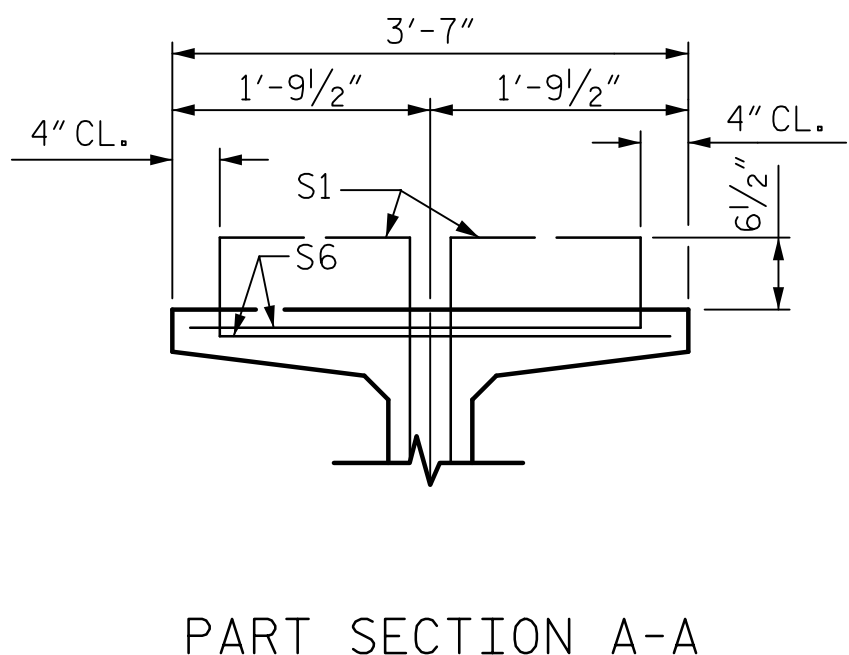
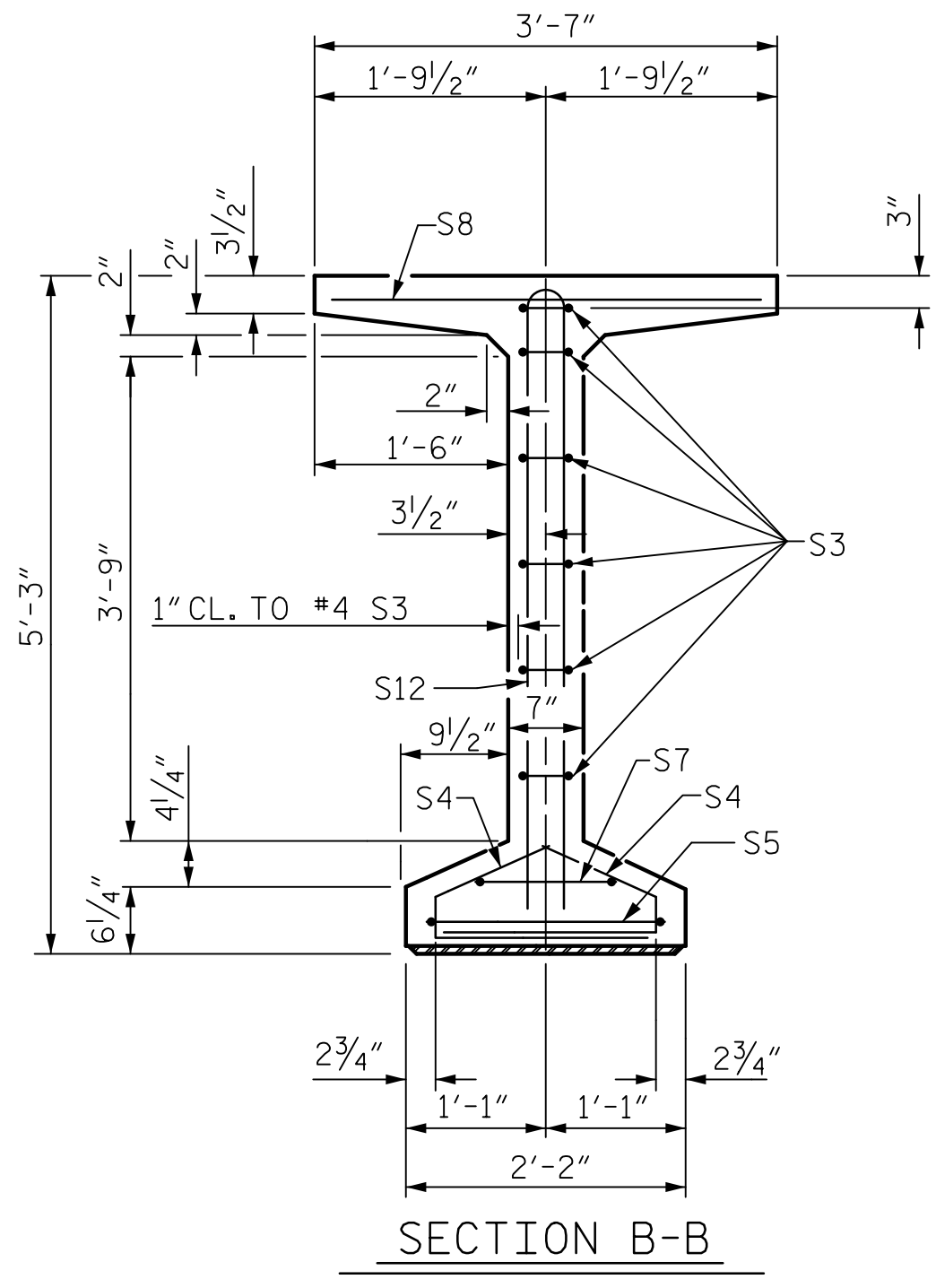


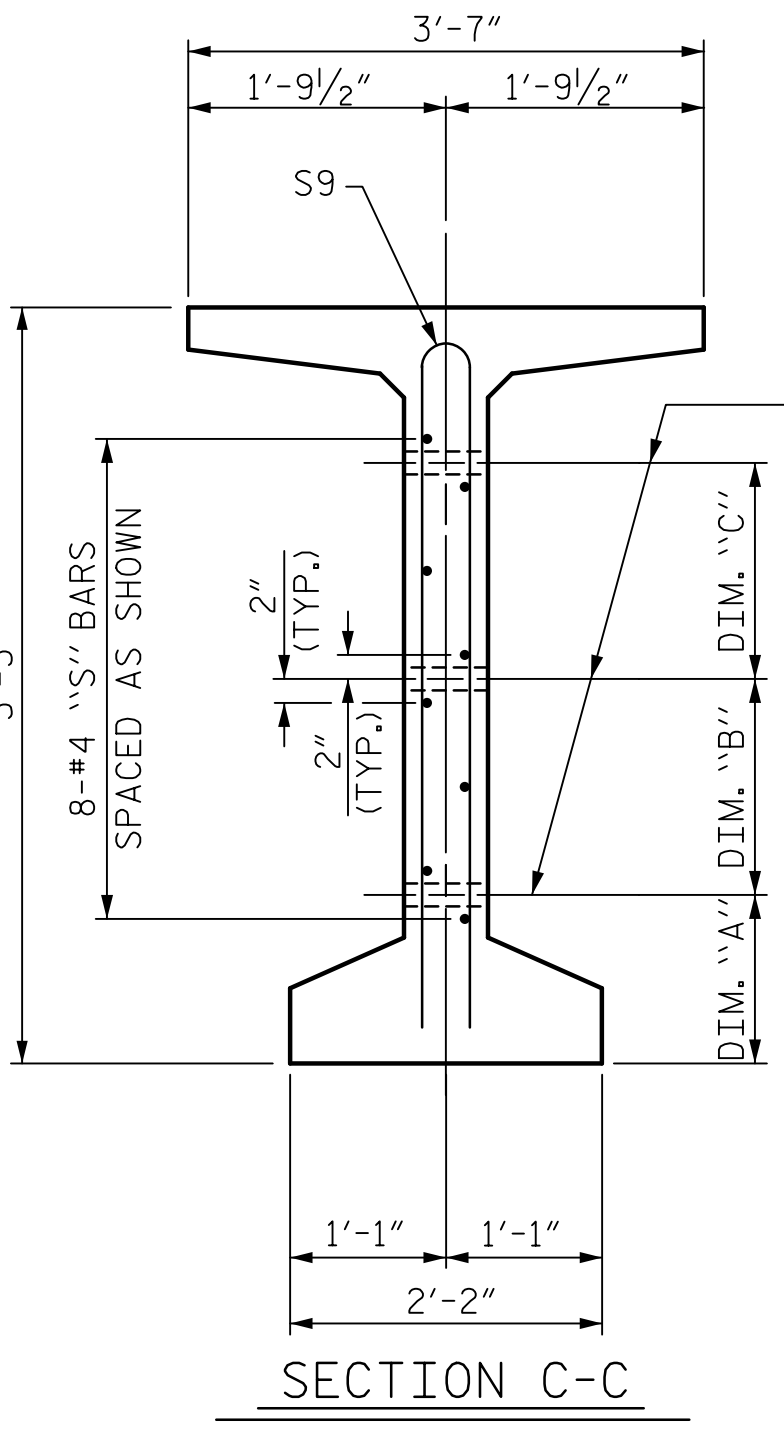
DATE: 3/29/2022
TIME: 2:55:38 PM



PART SECTION A-A



SECTION B-B



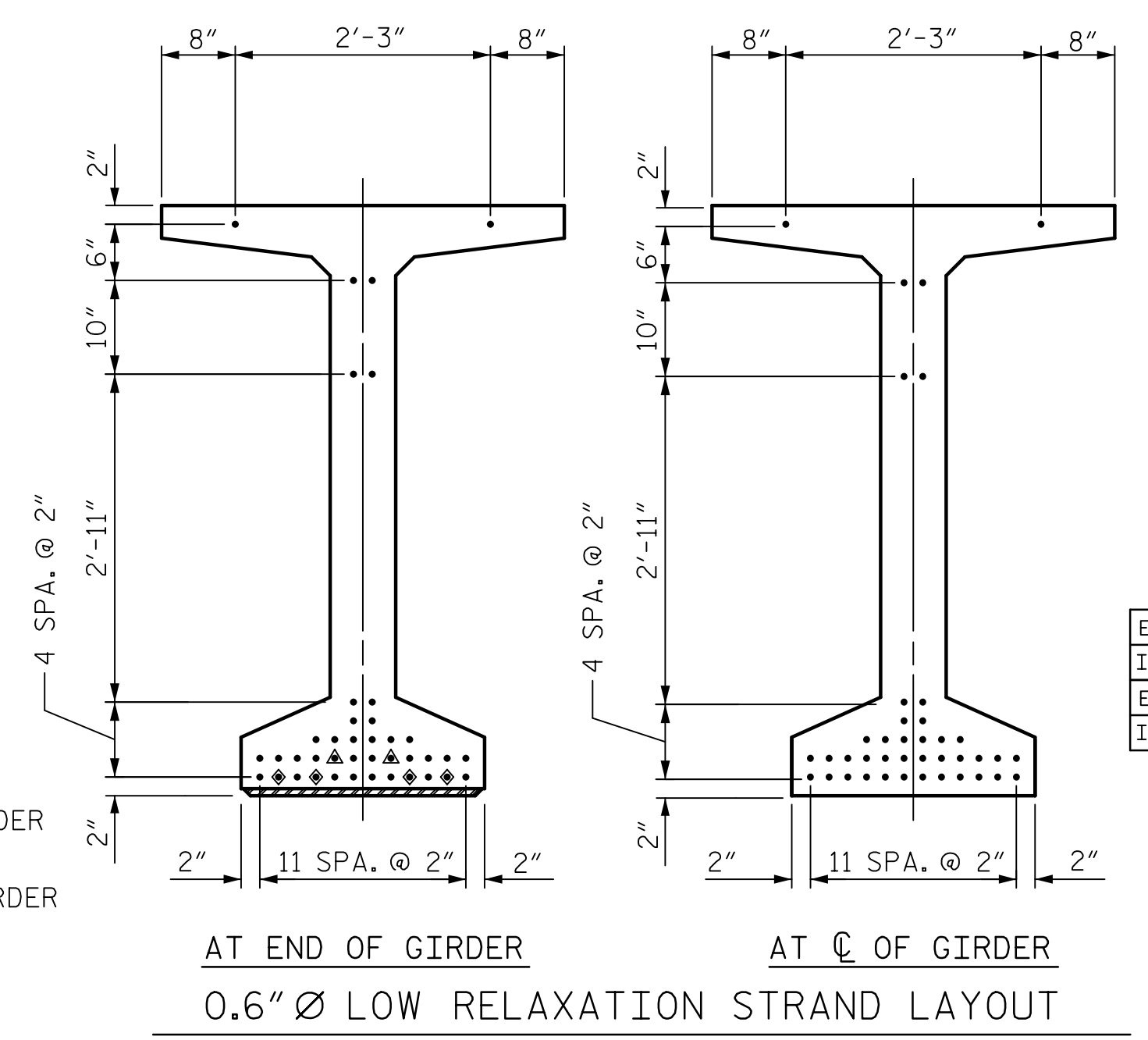
SECTION C-C

(S1, S6 AND S8 BARS NOT SHOWN)

1/2" Ø FORMED HOLE. SEE ELEVATION FOR LOCATION. FOR DIM. "A", "B" & "C" SEE "INTERMEDIATE STEEL DIAPHRAGMS" SHEET.)

DEBONDING LEGEND

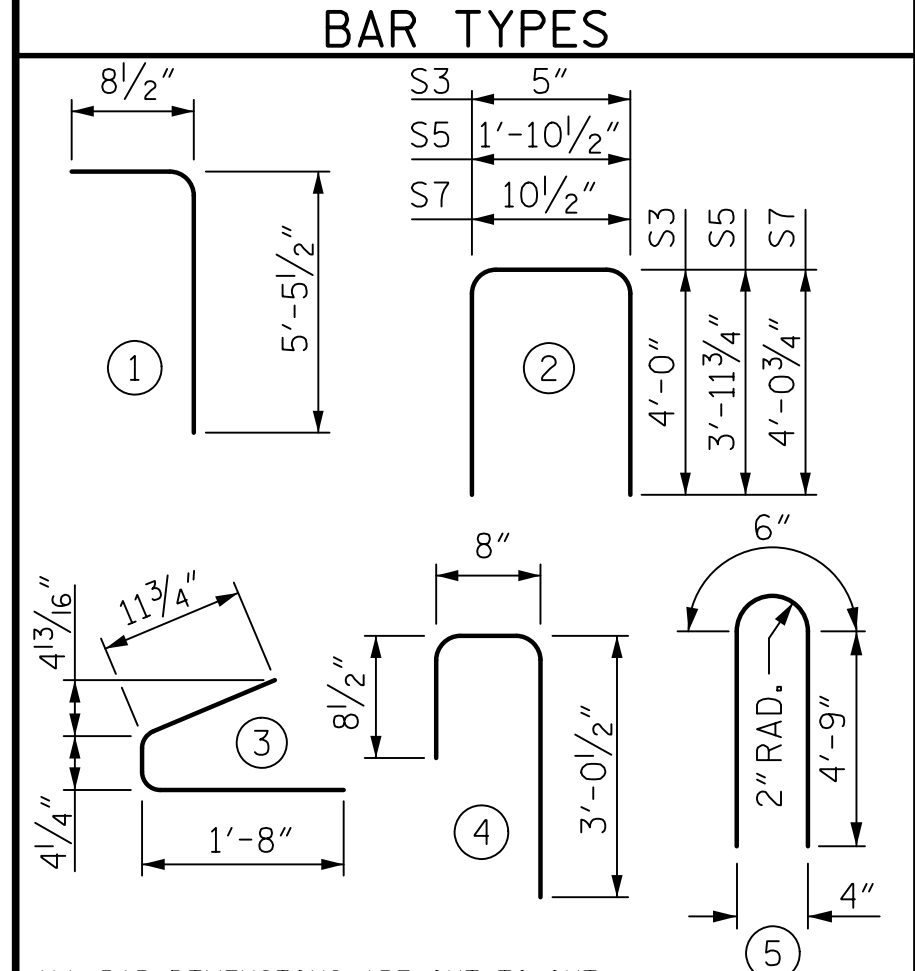
- FULLY BONDED STRANDS
- ▲ STRANDS DEBONDED FOR 4'-0" FROM END OF GIRDER
- ◆ STRANDS DEBONDED FOR 10'-0" FROM END OF GIRDER



AT END OF GIRDER
AT 0 OF GIRDER
0.6" Ø LOW RELAXATION STRAND LAYOUT

0.6" Ø L. R. GRADE 270 STRANDS		
AREA (SQUARE INCHES)	ULTIMATE STRENGTH (LBS. PER STRAND)	APPLIED PRESTRESS (LBS. PER STRAND)
0.217	58,600	43,950

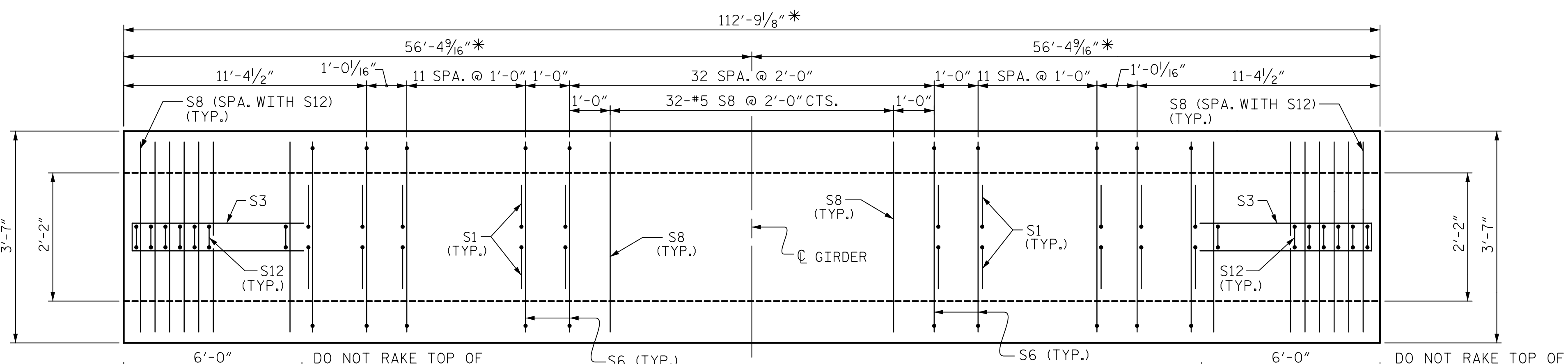
REINFORCING STEEL FOR ONE GIRDER					
BAR	NUMBER	SIZE	TYPE	LENGTH	WEIGHT
S1	158	#5	1	6'-2"	1016
S3	12	#4	2	8'-5"	67
S4	148	#4	3	3'-0"	297
S5	2	#5	2	9'-10"	21
S6	158	#5	4	4'-5"	728
S7	2	#5	2	9'-0"	19
S8	60	#5	STR	3'-3"	203
S9	8	#5	5	10'-0"	83
S9	16	#5	5	10'-0"	167
S10	16	#4	STR	8'-0"	86
S11	16	#4	STR	17'-2"	183
S12	28	#6	5	10'-0"	421



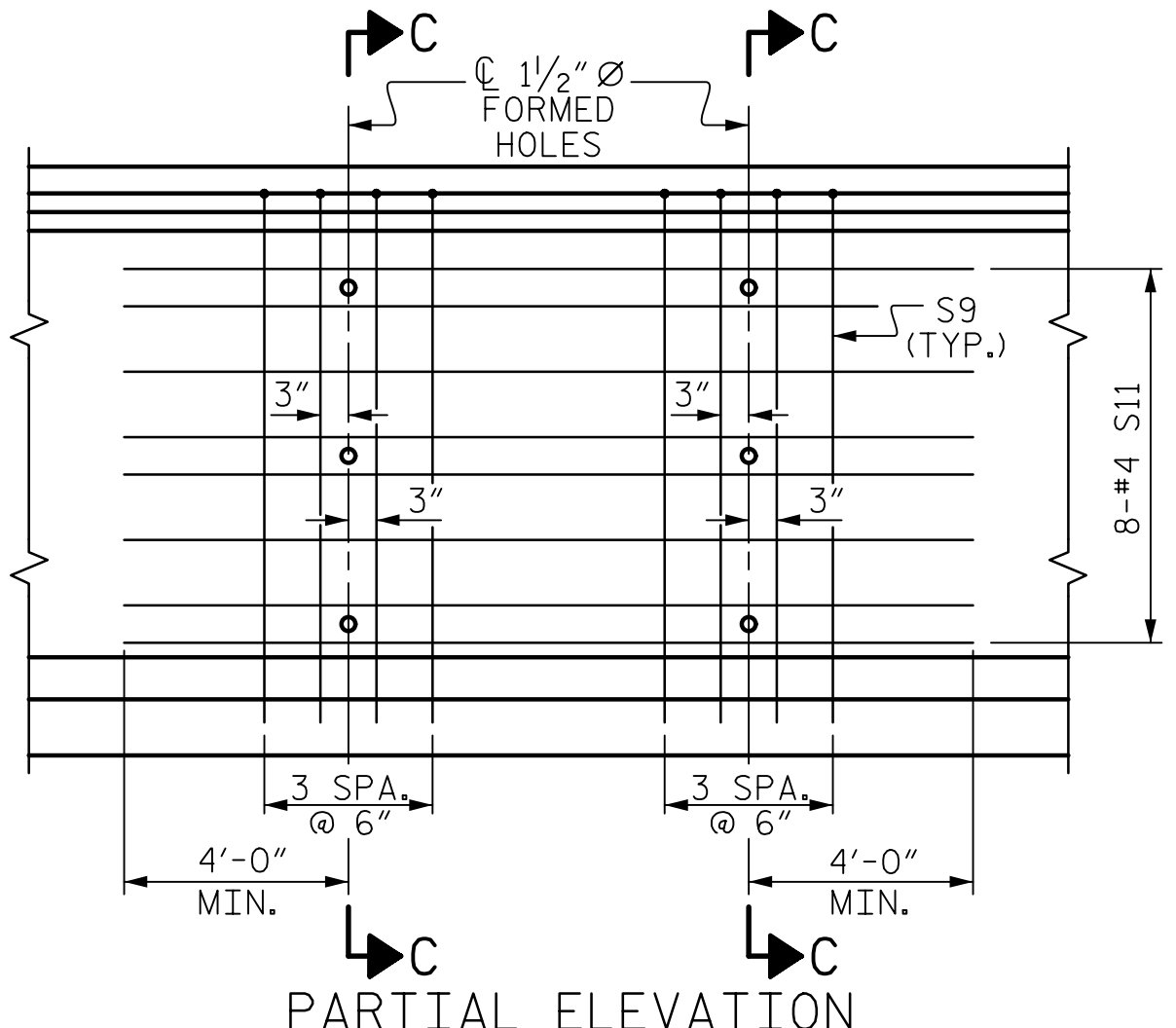
ALL BAR DIMENSIONS ARE OUT-TO-OUT

QUANTITIES FOR ONE GIRDER			
	REINFORCING STEEL	8,500 PSI CONCRETE	0.6" Ø L.R. STRANDS
	LB.	C.Y.	No.
EXTERIOR GIRDER	2941	22.3	40
INTERIOR GIRDER	3122	22.3	40

GIRDERS REQUIRED		
NUMBER	LENGTH	TOTAL LENGTH
12	112'-9 1/8"	1353'-1 1/2"

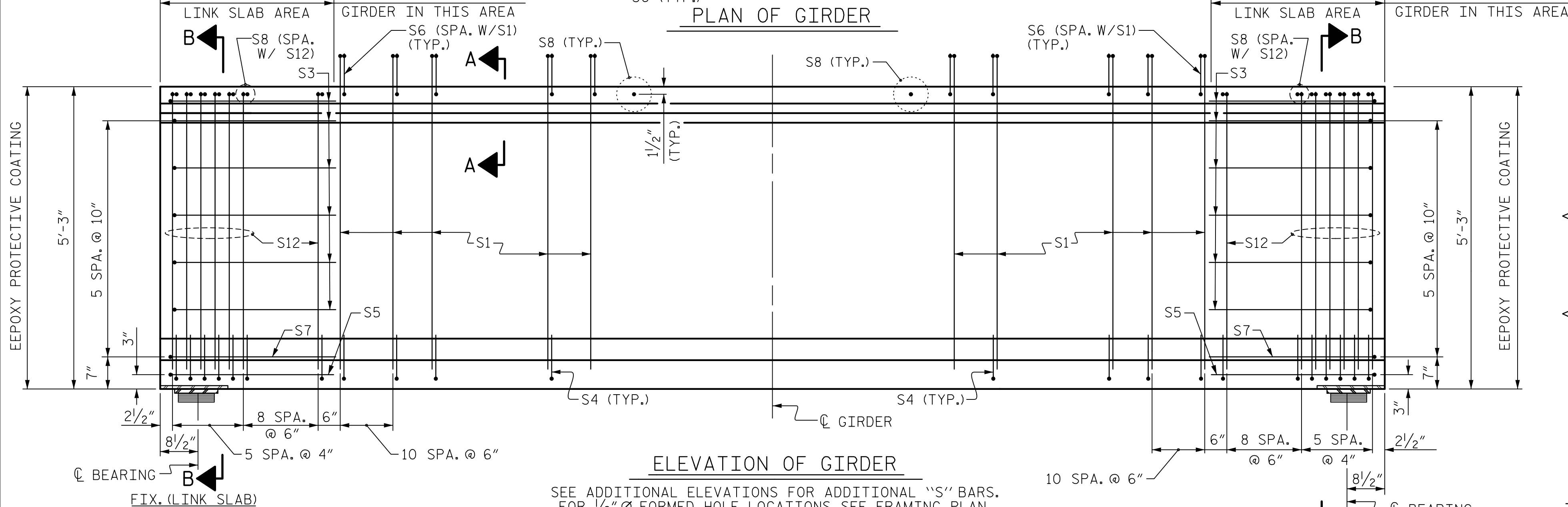


PLAN OF GIRDER



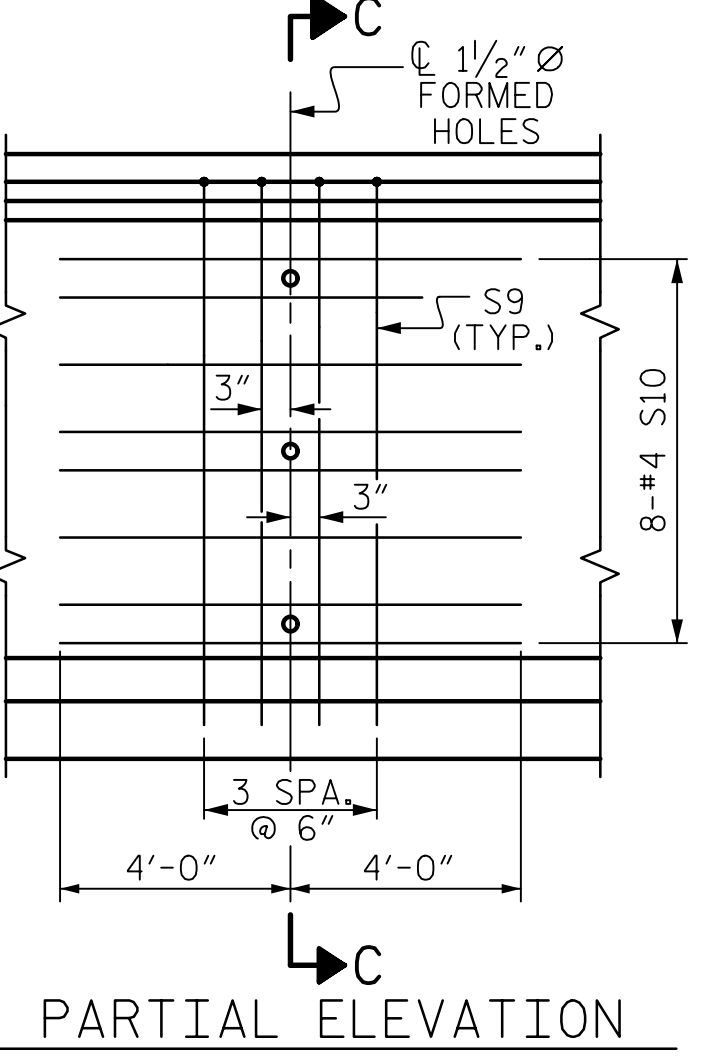
PARTIAL ELEVATION

SHOWING INTERMEDIATE STEEL DIAPHRAGM REINFORCING STEEL FOR GIRDER Nos. B2, B3, C2, C3, D2, D3



ELEVATION OF GIRDER

SEE ADDITIONAL ELEVATIONS FOR ADDITIONAL "S" BARS. FOR 1/2" Ø FORMED HOLE LOCATIONS, SEE FRAMING PLAN.



PARTIAL ELEVATION

SHOWING INTERMEDIATE STEEL DIAPHRAGM REINFORCING STEEL FOR GIRDER Nos. B1, B4, C1, C4, D1, D4

PROJECT NO. BR-0044
ROCKINGHAM COUNTY
STATION: 21+97.00 -L-

SHEET 2 OF 6

AECOM
AECOM TECHNICAL SERVICES OF NC, INC.
5438 WADE PARK BOULEVARD, SUITE 200
RALEIGH, NC 27607
(919) 854-6200 www.aecom.com
AECOM License No. F-0342

STATE OF NORTH CAROLINA
DEPARTMENT OF TRANSPORTATION
RALEIGH

STANDARD
63" PRESTRESSED CONCRETE
MODIFIED BULB TEE
LINK SLAB

SPANS B-D

REVISIONS

NO.	BY:	DATE:	NO.	BY:	DATE:
1			3		
2			4		

SHEET NO. S-15
TOTAL SHEETS 39

DATE: 3/29/2022
TIME: 2:55:38 PM

5/15/2022

ASSEMBLED BY : D.R. DRUM	DATE : 2/2022
CHECKED BY : G.R. COLS	DATE : 2/2022
DESIGNED BY : D.R. DRUM	DATE : 2/2022
DESIGN CHECKED BY : G.R. COLS	DATE : 2/2022
DRAWN BY : EEM 2/6/97	REV. 6/13 MAA/GM
CHECKED BY : VAP 2/6/97	REV. 1/15 MAA/TMG
	REV. 12/17 MAA/THC

* DIMENSIONS ALONG SLOPE OF GIRDER

DOCUMENT NOT CONSIDERED FINAL UNLESS ALL SIGNATURES COMPLETED