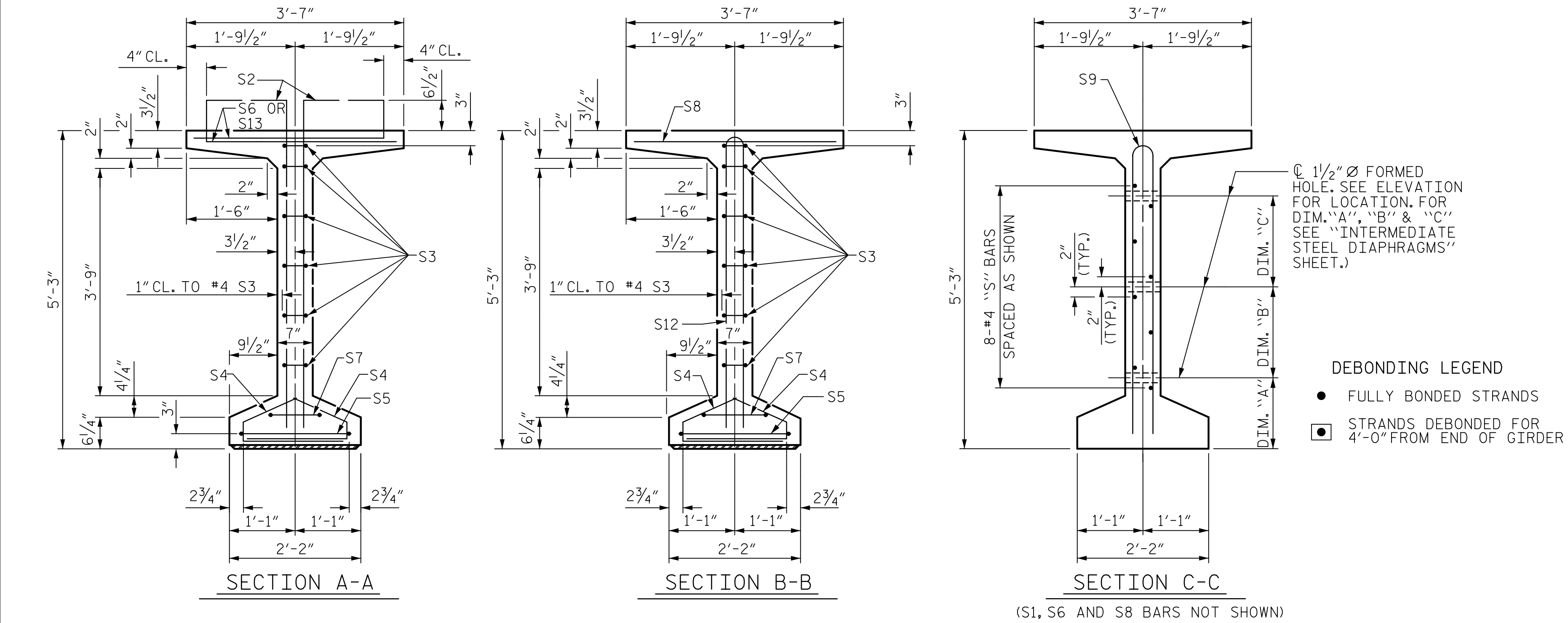


DATE: 3/29/2022
TIME: 2:26:06 PM

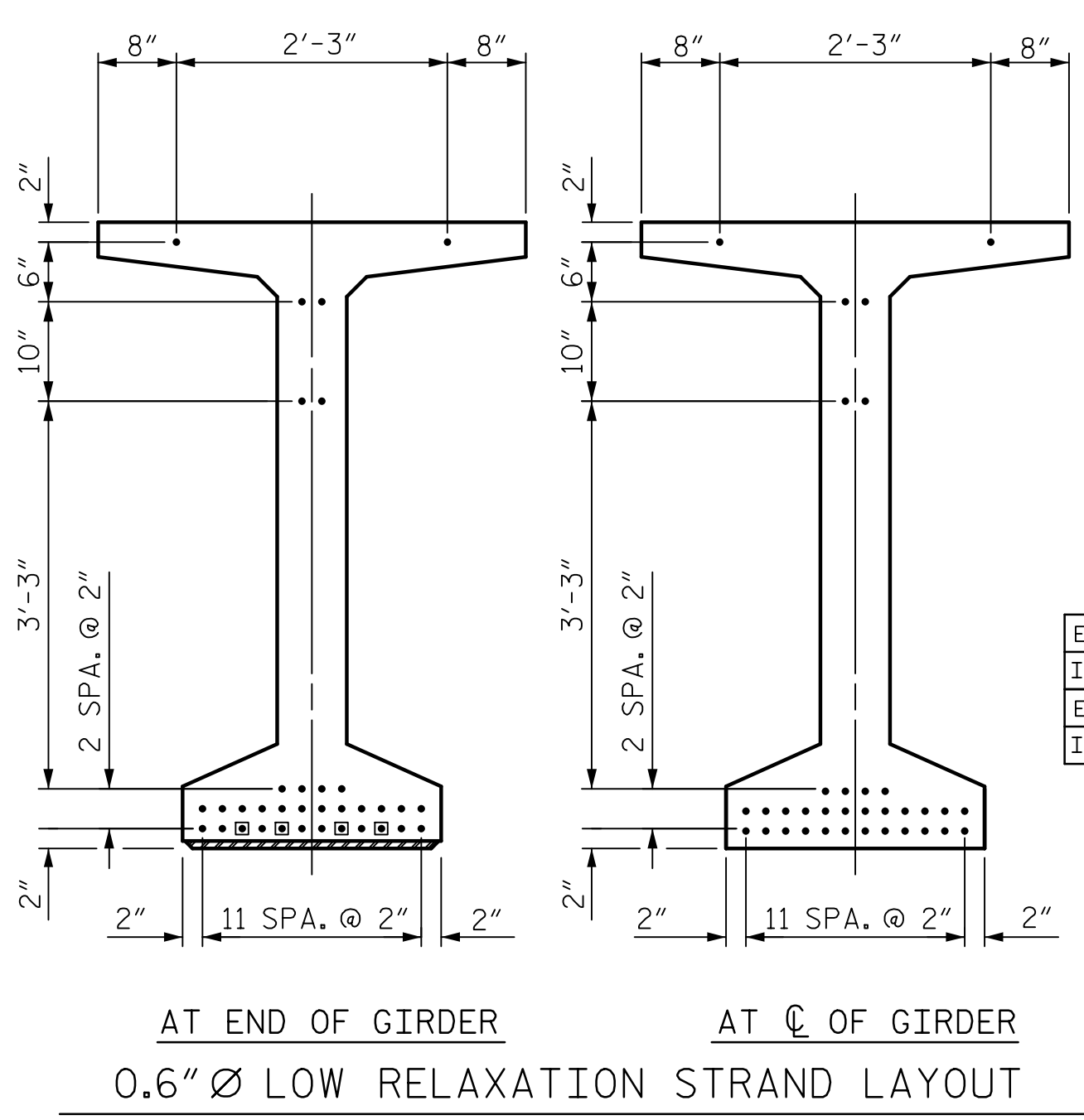
USER: BinJinCheng
DIR: R:\Structures\04 Drawings\01_002L_BR0044_SLU_001.dgn



1/2" Ø FORMED HOLE. SEE ELEVATION FOR LOCATION. FOR DIM. 'A', 'B' & 'C' SEE "INTERMEDIATE STEEL DIAPHRAGMS" SHEET.)

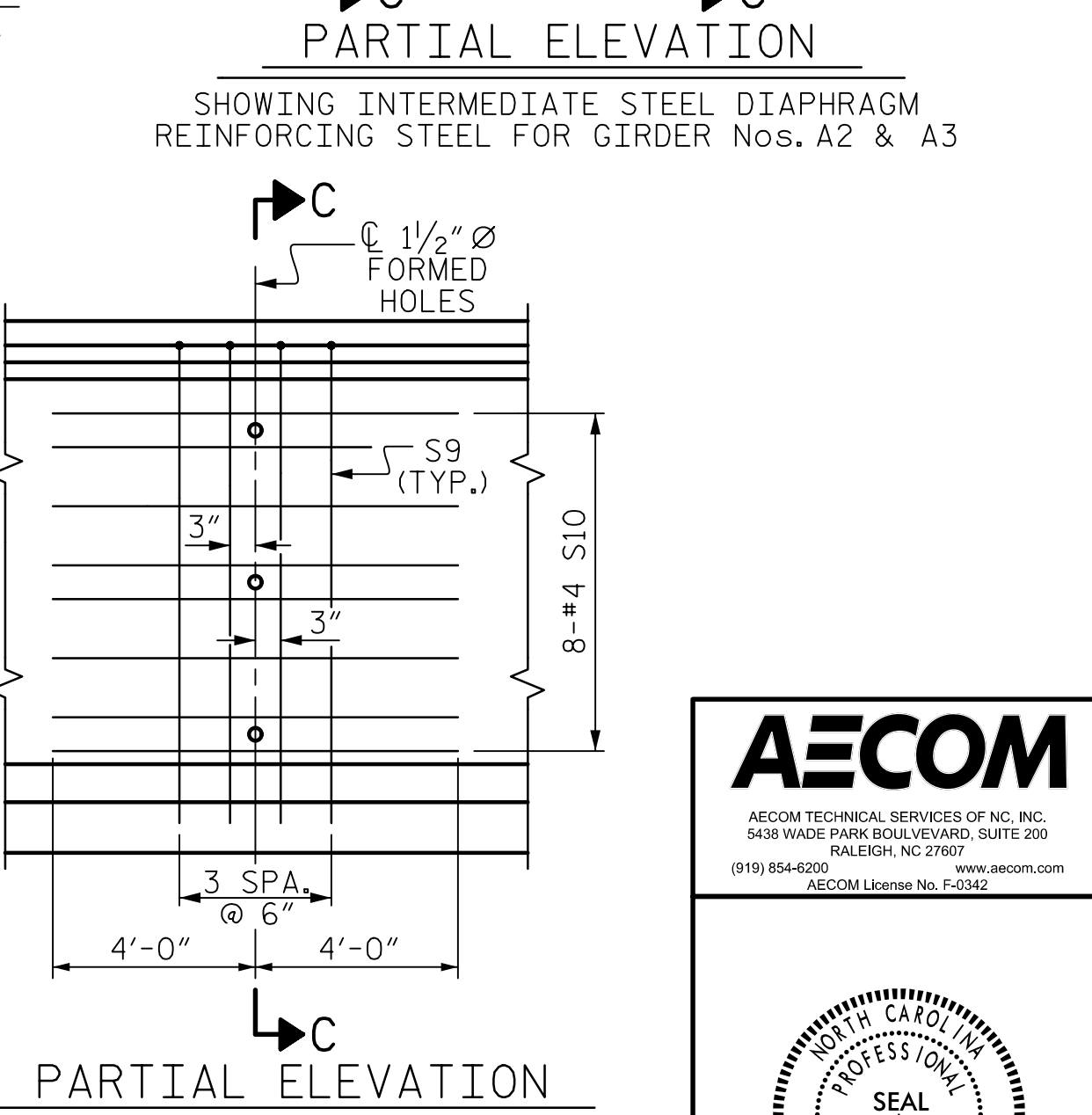
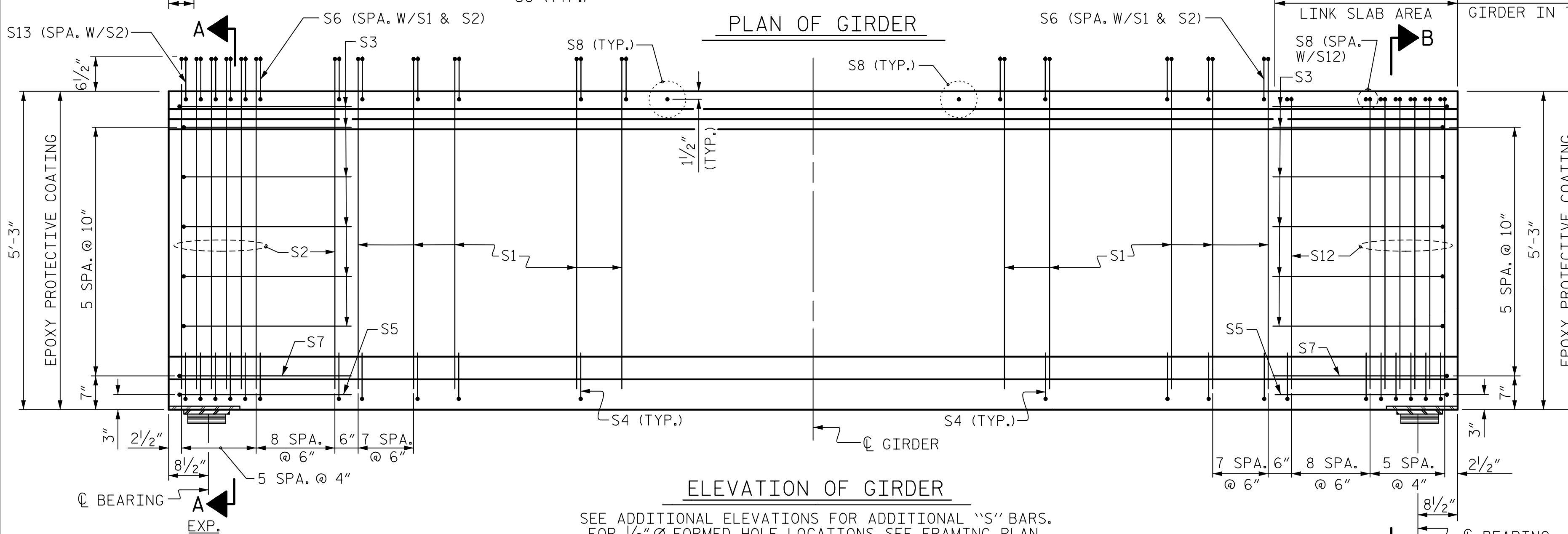
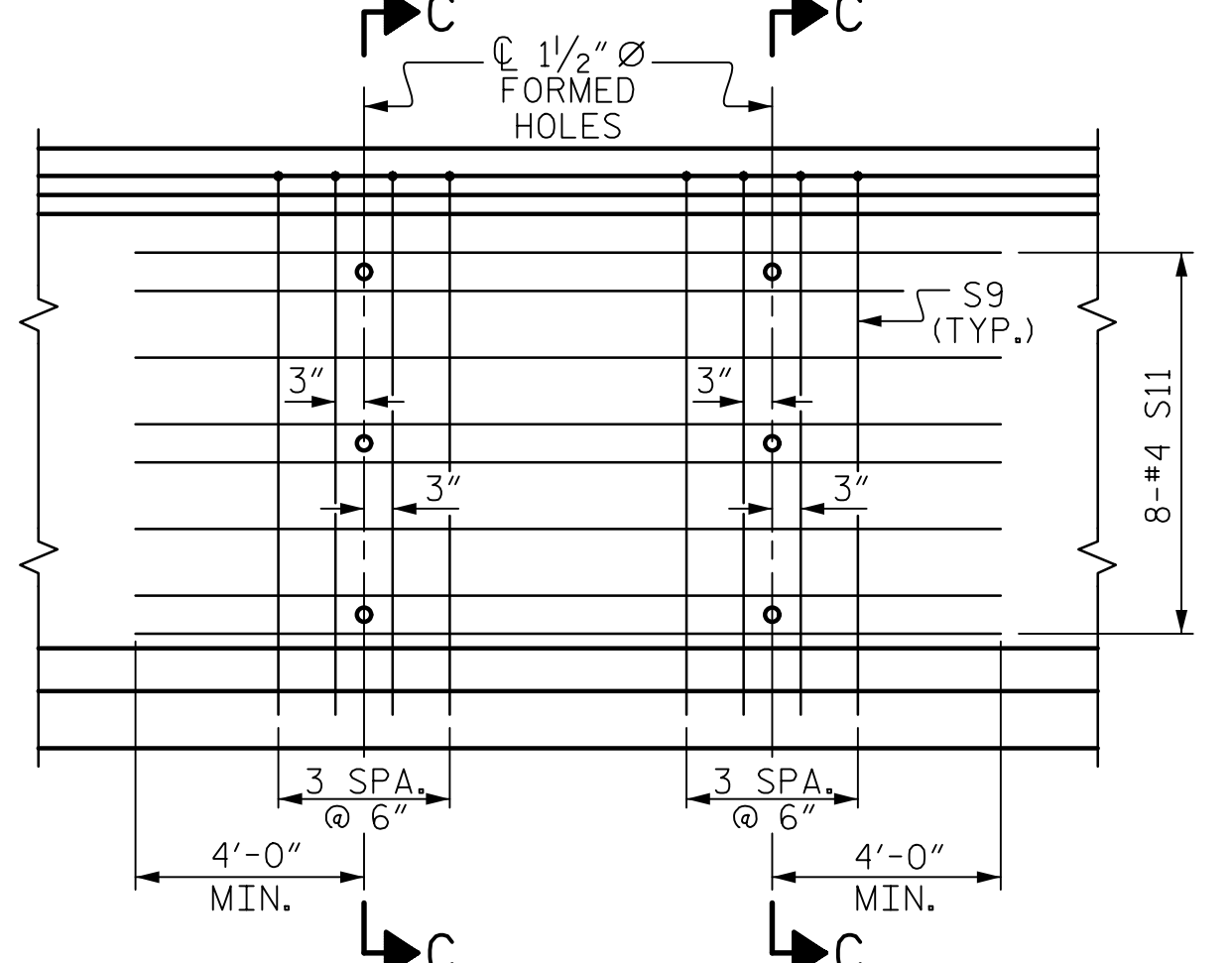
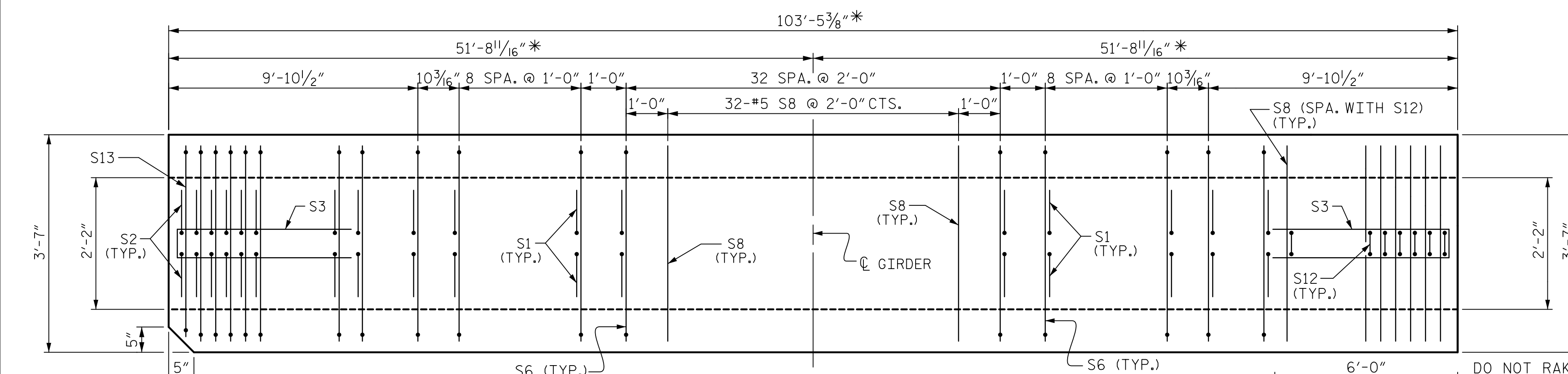
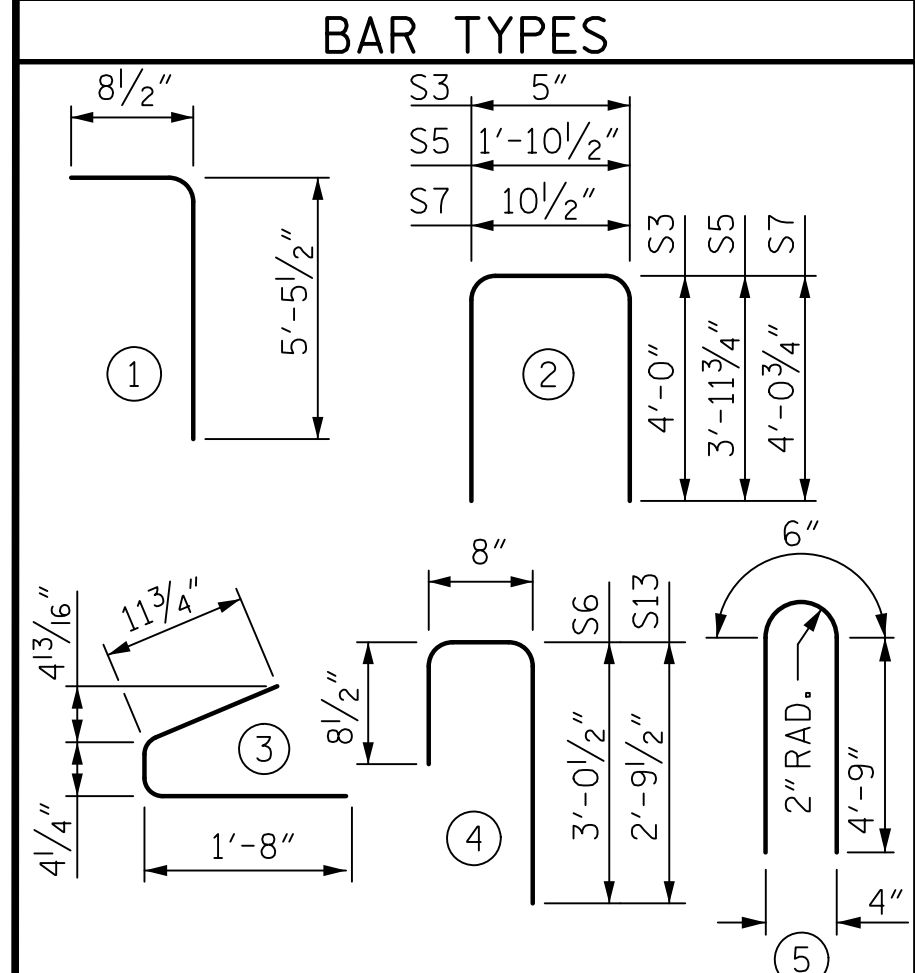
DEBONDING LEGEND

- FULLY BONDED STRANDS
- STRANDS DEBONDED FOR 4'-0" FROM END OF GIRDER



0.6" Ø L. R. GRADE 270 STRANDS		
AREA (SQUARE INCHES)	ULTIMATE STRENGTH (LBS. PER STRAND)	APPLIED PRESTRESS (LBS. PER STRAND)
0.217	58,600	43,950

REINFORCING STEEL FOR ONE GDR						
BAR	NUMBER	SIZE	TYPE	LENGTH	WEIGHT	
S1	134	#5	1	6'-2"	862	
S2	28	#6	1	6'-2"	259	
S3	12	#4	2	8'-5"	67	
S4	124	#4	3	3'-0"	248	
S5	2	#5	2	9'-10"	21	
S6	160	#5	4	4'-5"	737	
S7	2	#5	2	9'-0"	19	
S8	46	#5	STR	3'-3"	156	
EXTERIOR GDR.	S9	8	#5	5	10'-0"	83
INTERIOR GDR.	S9	16	#5	5	10'-0"	167
EXTERIOR GDR.	S10	16	#4	STR	8'-0"	86
INTERIOR GDR.	S11	16	#4	STR	17'-2"	183
	S12	14	#6	5	10'-0"	210
	S13	2	#5	4	4'-2"	9

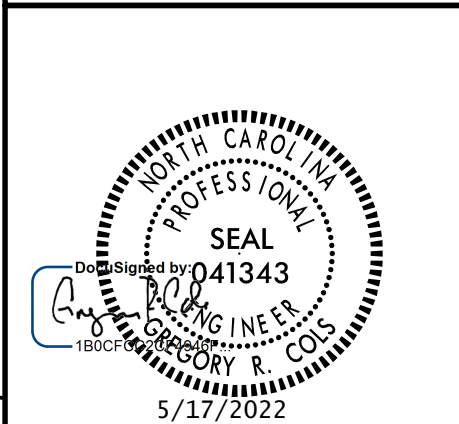


QUANTITIES FOR ONE GIRDER			
	REINFORCING STEEL	8,500 PSI CONCRETE	0.6" Ø L.R. STRANDS
	LB.	C.Y.	No.
EXTERIOR GIRDER	2757	20.5	34
INTERIOR GIRDER	2938	20.5	34

GIRDERS REQUIRED		
NUMBER	LENGTH	TOTAL LENGTH
4	103'-5 3/8"	413'-9 1/2"

PROJECT NO. BR-0044
ROCKINGHAM COUNTY
STATION: 21+97.00 -L-

SHEET 1 OF 6



STATE OF NORTH CAROLINA
DEPARTMENT OF TRANSPORTATION
RALEIGH
STANDARD
63" PRESTRESSED CONCRETE
MODIFIED BULB TEE
LINK SLAB

REVISIONS						SHEET NO. S-14
NO.	BY:	DATE:	NO.	BY:	DATE:	
1			3			TOTAL SHEETS 39
2			4			

ASSEMBLED BY : D.R. DRUM	DATE : 2/2022
CHECKED BY : G.R. COLS	DATE : 2/2022
DESIGNED BY : D.R. DRUM	DATE : 2/2022
DESIGN CHECKED BY : G.R. COLS	DATE : 2/2022
DRAWN BY : EEM 2/6/97	REV. 6/13 MAA/GM
CHECKED BY : VAP 2/6/97	REV. 1/15 MAA/TMG
	REV. 12/17 MAA/THC

* DIMENSIONS ALONG SLOPE OF GIRDER

DOCUMENT NOT CONSIDERED FINAL UNLESS ALL SIGNATURES COMPLETED